

LEON CUP RACER



2017 DSG

SPARE PARTS CATALOGUE

Revision: 2017/CW28



SEAT LEON CUP RACER DSG
SPARE PARTS CATALOGUE

COMMERCIAL INFO

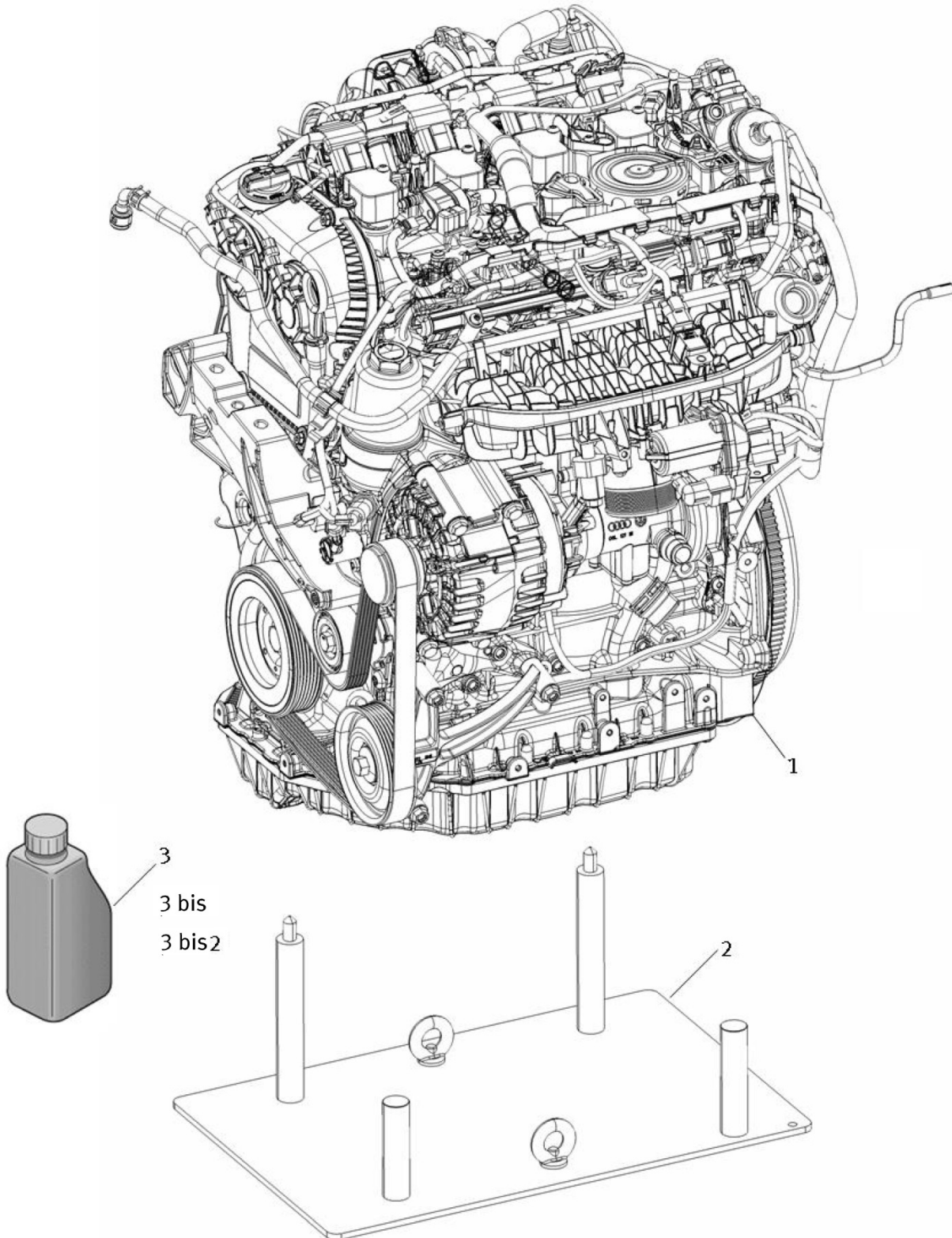
INDEX

Main Group	Secondary Group	Page
1	ENGINE	
	ENGINE SUPPORT	6
	ENGINE	8
	ENGINE WATER COOLING SYSTEM	10
	ENGINE AIR INTAKE & TURBO COOLING SYSTEM	12
	ENGINE SUPPORTS	14
2	FUEL & EXHAUST	
	TANK & FUEL SYSTEM 1	18
	TANK & FUEL SYSTEM 2	20
	EXHAUST	22
3	EXTERNAL REFUELING KIT	24
	GEARBOX	
3	GEARBOX	26
	DRIVESHAFT	28
4	FRONT AXLE	
	FRONT UPRIGHT AND HUB	30
	FRONT SHOCK ABSORBER	32
	FRONT SUBFRAME	34
	WISHBONE	36
	STEERING RACK	38
	STEERING COLUMN	40
STEERING WHEEL AND SHIFT PADDLES	42	
5	REAR AXLE	
	REAR AXLE	44
	REAR UPRIGHT AND HUB	46
5	REAR SHOCK ABSORBER	48
	BRAKE / WHEEL	
6	WHEEL & TYRE	50
	FRONT BRAKE	52
	REAR BRAKE	54
	PEDALS AND PUMPS	56
	BRAKE CIRCUIT	58

INDEX

Main Group	Secondary Group	Page
8	BODY	60
	FRONTEND	62
	FRONT DOORS	64
	REAR DOORS	66
	BONNET	68
	BOOT LID	70
	REAR WING	72
	FRONT BUMPER	74
	REAR BUMPER	76
	BODY FINISHING 1	78
	BODY FINISHING 2	80
	COCKPIT	82
	BACKET & SAFETY BELTS	84
	PILOT BOX	86
9	DATA LOGGER	88
	WIRING LOOM 1	90
	WIRING LOOM 2	92
	WINDSCREEN WASHER	94
	ELECTRONIC COMPONENTS	96
	AIRJACK SYSTEM	98
	EXTINGUISHER	100
10	KITS & ACCESORIES	102

ENGINE SUPPORT

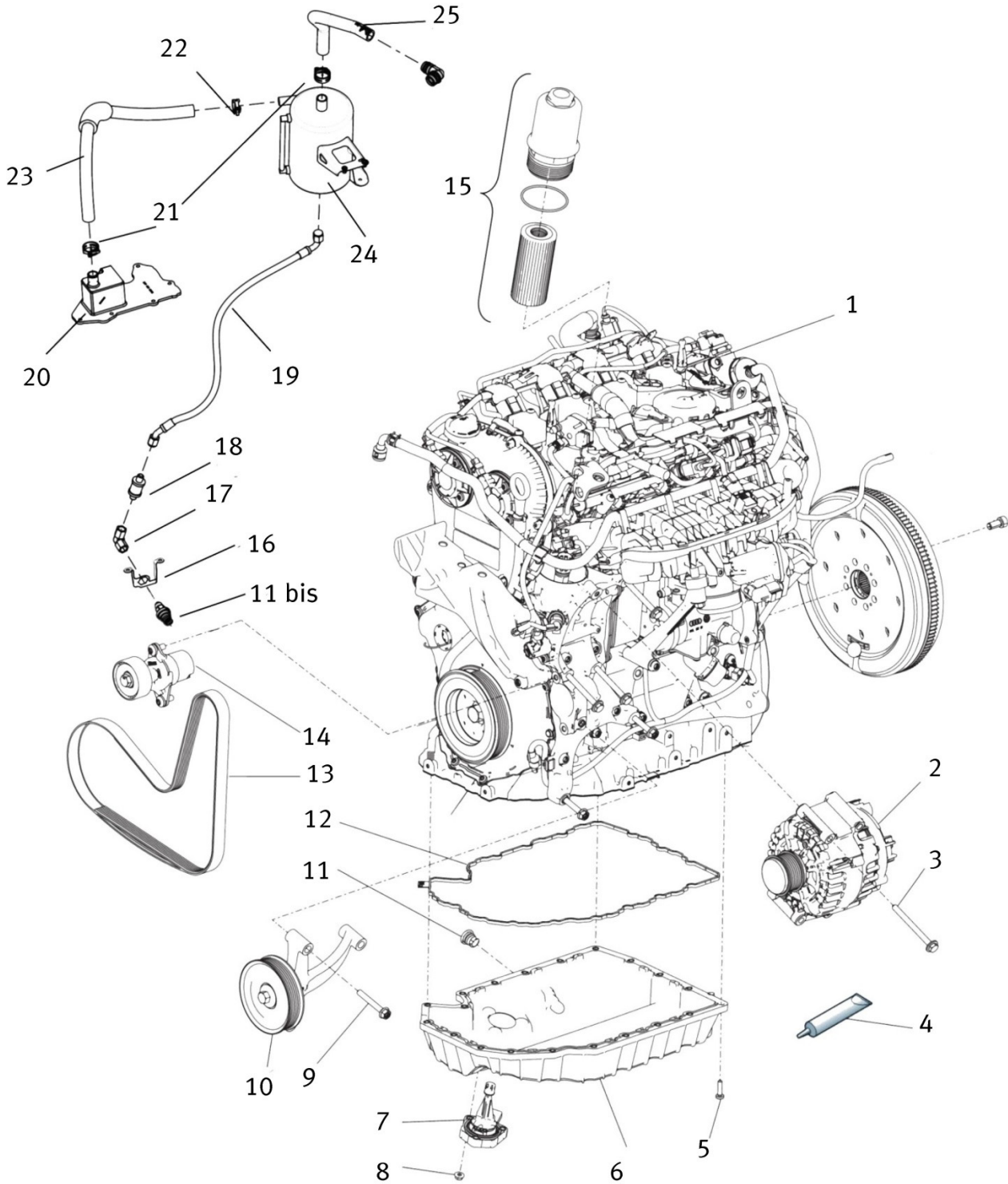


ENGINE SUPPORT

Pos.	Reference	Description	Qty.
1*	VLH3100010	ENGINE LCR/TCR (SPARE) RUN IN	1
2	ULH3100001	ENGINE SUPPORT ASSY.	1
3	VN0000053100	CASTROL EDGE OIL 5W-30 1L	1
3 bis	VN0000053000	CASTROL EDGE OIL 5W-30 5L	1

* PLEASE CONTACT SEAT SPORT

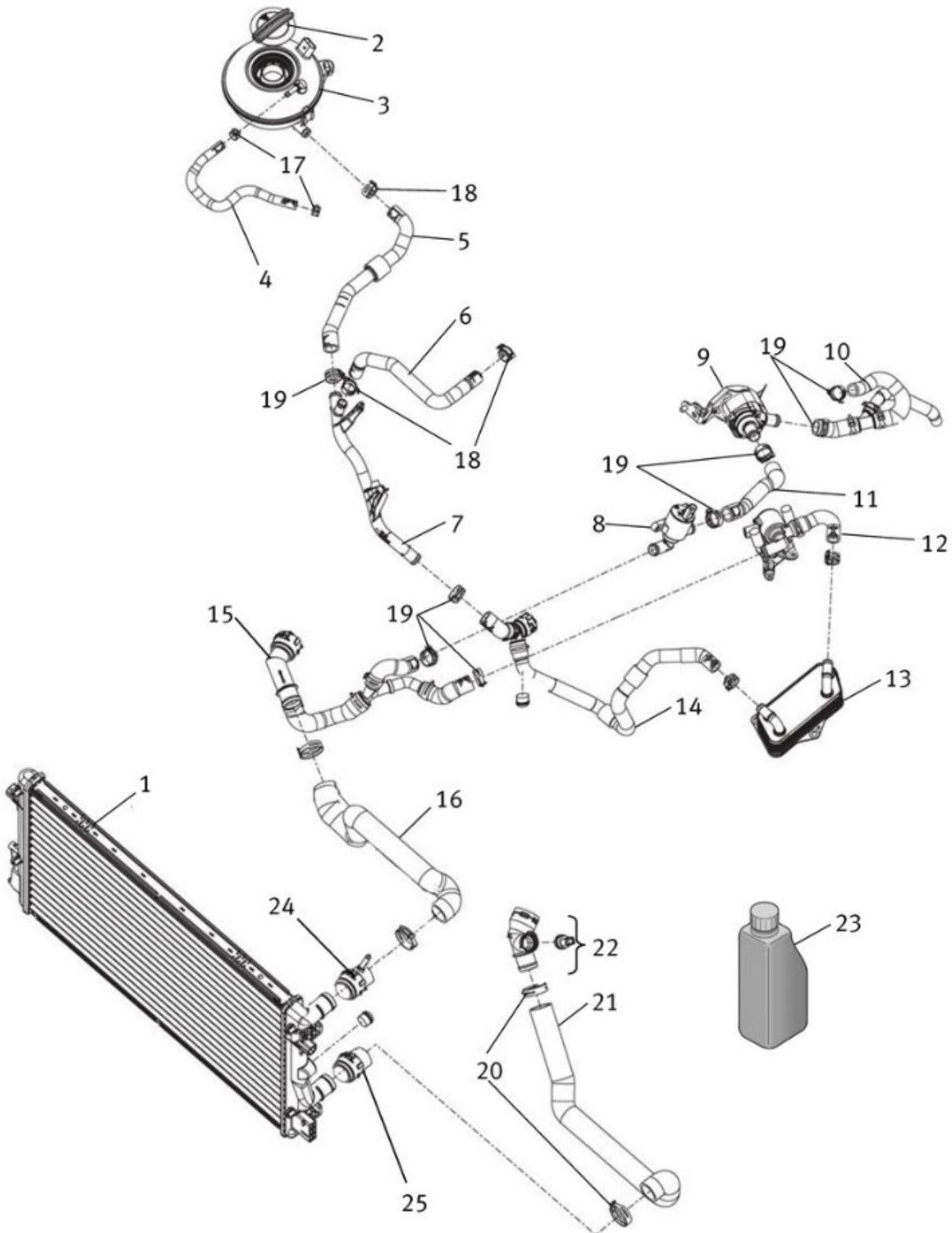
ENGINE



ENGINE

Pos.	Reference	Description	Qty.
1	VLH3100010	ENGINE LCR/TCR (SPARE) RUN IN	1
2	5F6903023A	ALTERNATOR 14V 140A	1
3	_N_91204501	HEXAGON BOLT	4
4	_D174003M2	SEALING SILICONE -80ml-	1
5	_N_91071701	HEXAGON SOCKET FLAT HEAD BOLT M6X25	20
6	_06K103600D	OIL SUMP-LOWER PART	1
7	_03F907660D	OIL LEVEL SENSOR	1
8	_N_01508210	HEXAGON COLLAR NUT M6	1
9	_N_10746301	HEXAGON FLANGE SCREW M8X60	3
10	_06K145172	DEFLECTION PULLEY	1
11	_06L103801	OIL SUMP PLUG	1
11 bis	5F6103035A	OIL RECIRCULATING PLUG	1
12	_06K103649	GASKET FOR OIL SUMP	1
13	_06L903137A	POLY-V-BELT 21,36X1132MM	1
14	_06L903133F	BELT TENSIONER DAMPER	1
15	_06L115562	OIL FILTER	1
16	5F6103113B	COVER	1
17	VN0005163300	RACORD 90° SWIVEL (H/H) 06D-06D	1
18	VLH3103155	NON-RETURN VALVE	1
19	V4PL422892C	SUCTION HOSE 06D-45°/90° L=605MM	1
20	VLH3103473	ENGINE OIL GASES BREATHER COVER	1
21	_N_90687001	SPRING BAND CLAMP 27X12	2
22	_N_90686901	SPRING BAND CLAMP 23X12	1
23	V3FL422887	OIL GASES BREATHER HOSE -ENGINE-	1
24	VOJL103069	OIL CATCH TANK	1
25	5F6103213	BREATHER PIPE -OIL GASES INTAKE-	1

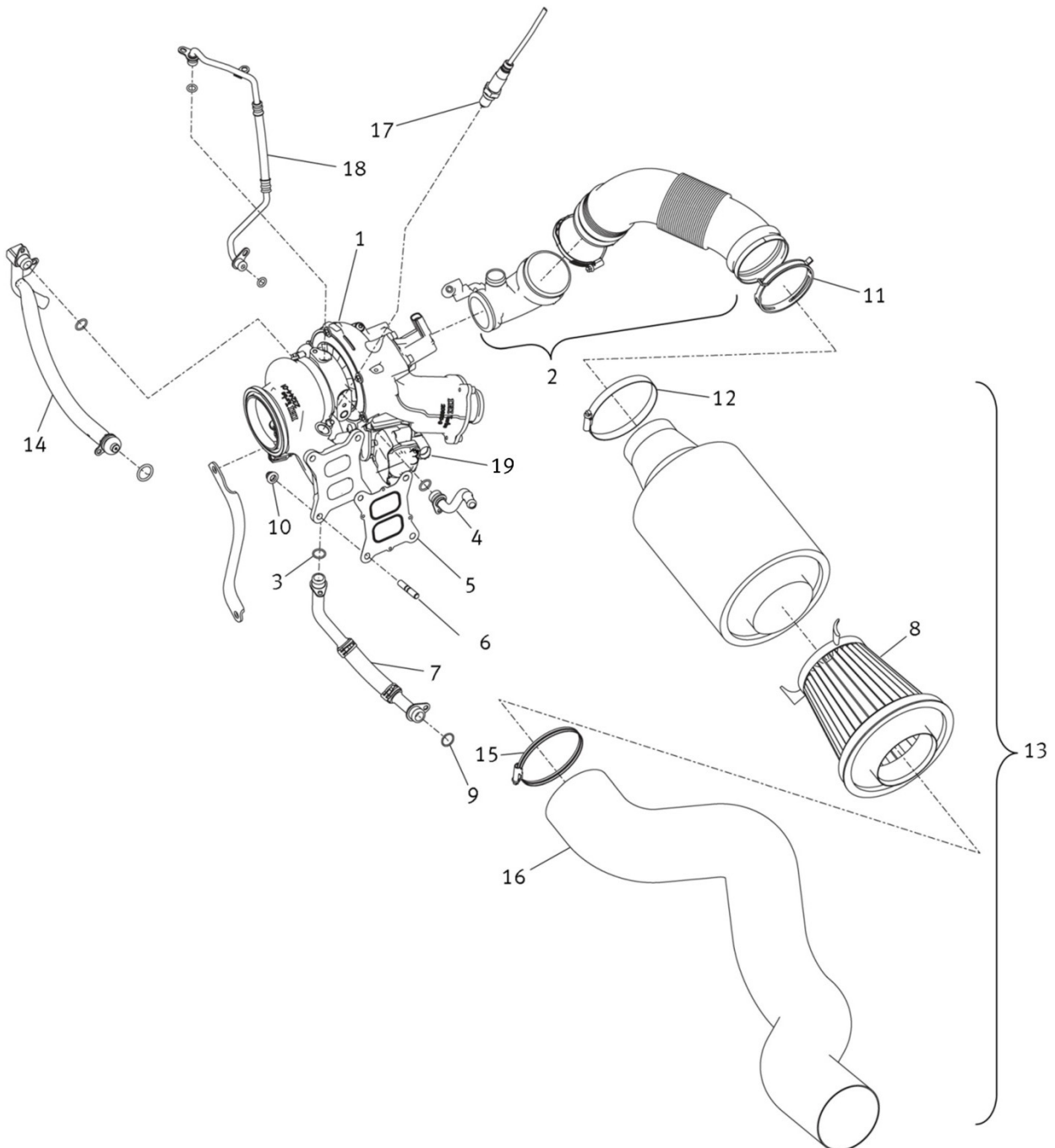
ENGINE WATER COOLING SYSTEM



ENGINE WATER COOLING SYSTEM

Pos.	Reference	Description	Qty.
1	_5K0121251AB	COOLER FOR COOLANT	1
2	_3C0121321	END CAP	1
3	_5Q0121407G	RESERVOIR	1
4	_5Q0121447G	VENT HOSE	1
5	_5Q0122109J	COOLANT HOSE	1
6	_5Q0121058R	COOLANT HOSE	1
7	_5Q0121070AB	COOLANT PIPE	1
8	_4H0121671D	SOLENOID VALVE	1
9	_5Q0121599AA	WATER PUMP	1
10	_5Q0122073AA	COOLANT HOSE WITH QUICK RELEASE COUPLING	1
11	_5Q0122157AB	COOLANT HOSE	1
12	_5Q0122096K	RADIATOR HOSE W/PUMP	1
13	_02E409061D	REGULATION STUD	1
14	_5Q0122058C	COOLANT HOSE WITH QUICK RELEASE COUPLING	1
15	_5Q0122101CF	COOLANT HOSE WITH QUICK RELEASE COUPLING	1
16	5F6121051B	COOLANT HOSE	1
17	_N_90686701	SPRING BAND CLAMP 14X12	2
18	_N_90686901	SPRING BAND CLAMP 23X12	5
19	_N_90687001	SPRING BAND CLAMP 27X12	8
20	_N_90687201	SPRING BAND CLAMP 40X12	2
21	5F6121051C	COOLANT HOSE	1
22	_1K0122291AD	QUICK ACTING COUPLING	1
23	VN0000060400	CASTROL COOLANT 1L	1
24	_5Q0122291BD	QUICK ACTING COUPLING	1
25	_3B0122291C	QUICK ACTING COUPLING	1

ENGINE AIR INTAKE & TURBO

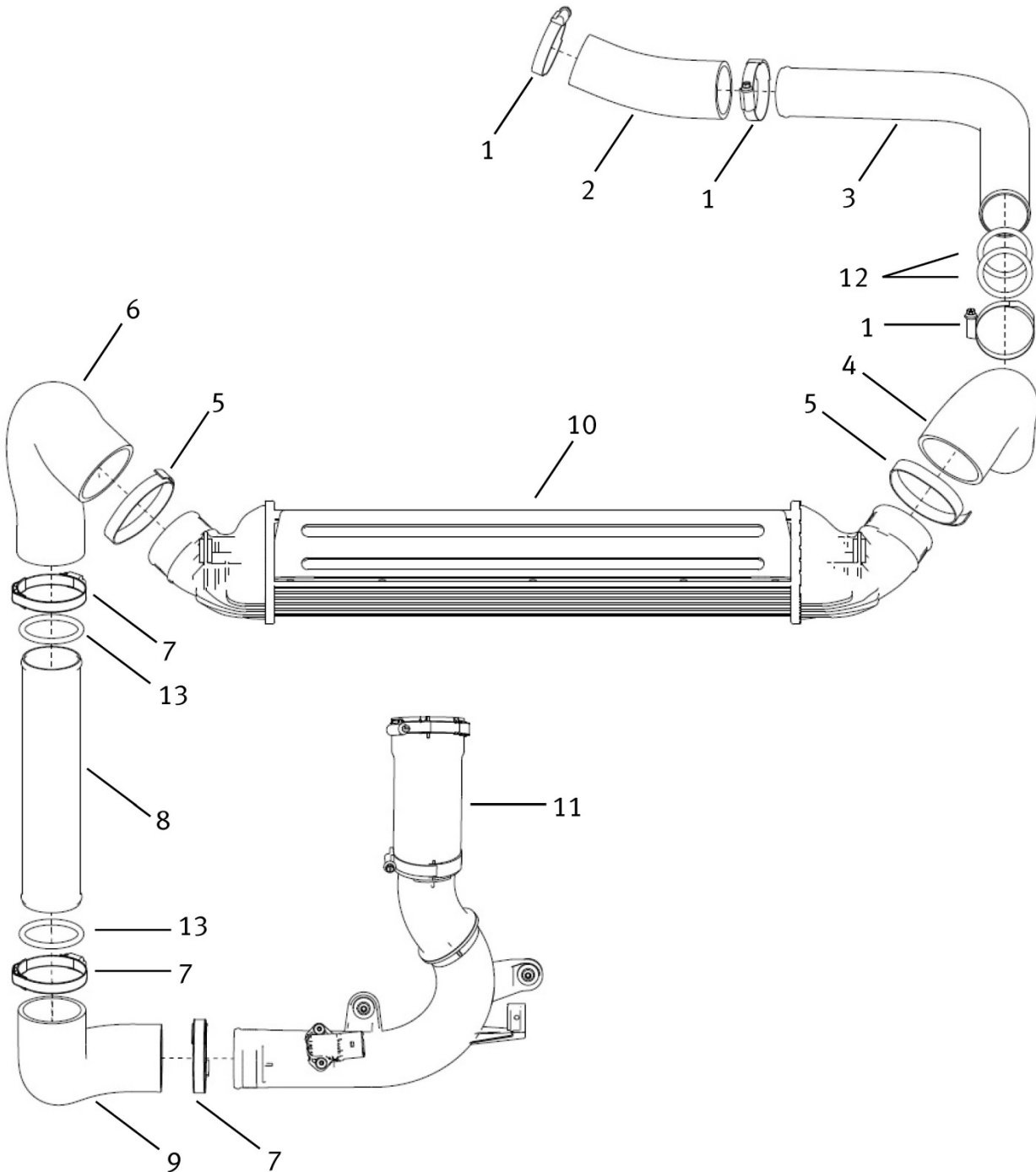


ENGINE AIR INTAKE & TURBO

Pos.	Reference	Description	Qty.
1*	VLH3145701	TURBOCHARGER -SEALED-	1
2	5f6129654	MODIFIED INTAKE HOSE	1
3	_WHT006113	O-RING 15X1,8	1
4	_06K121492F	COOLANT PIPE -RETURN TURBOCHARGER-	1
5	_06L253039	GASKET	1
6	_N_91145003	STUD M8X22	4
7	_06K145735G	OIL RETURN LINE	1
8	5F6133838	AIR FILTER	1
9	_WHT006112	O-RING 16,75X1,65	1
10	_N_91130801	HEXAGON COLLAR NUT SELF-LOCKING M8	4
11	_N_90656501	SPRING BAND CLAMP 85X12	1
12	VN0004014400	CLAMP 100-120	1
13	5F6133151	AIR FILTER BOX SET	1
14	_06K121497AD	COOLANT PIPE -TURBOCHARGER-	1
15	5F6129642A	INTAKE HOSE CLAMP Ø90	1
16	5F6129618	INTAKE HOSE	1
17	_8V0906262D	LAMBDA PROBE	1
18	_06K145778E	OIL PIPE -TURBOCHARGER-	1
19	_06K145725S	WASTE GATE ACTUATOR	1
N/D	VN0000052700	CLEANING KIT FOR AIR FILTER	1
N/D2	VN0000052800	REGENERATION FLUID AIR FILTER -BMC- 250c	1
N/D3	VN0000052900	SPRAY FLUID REGENERATION AIR FILTER 200c	1

* INCLUDES PARTS N° 5 & 10

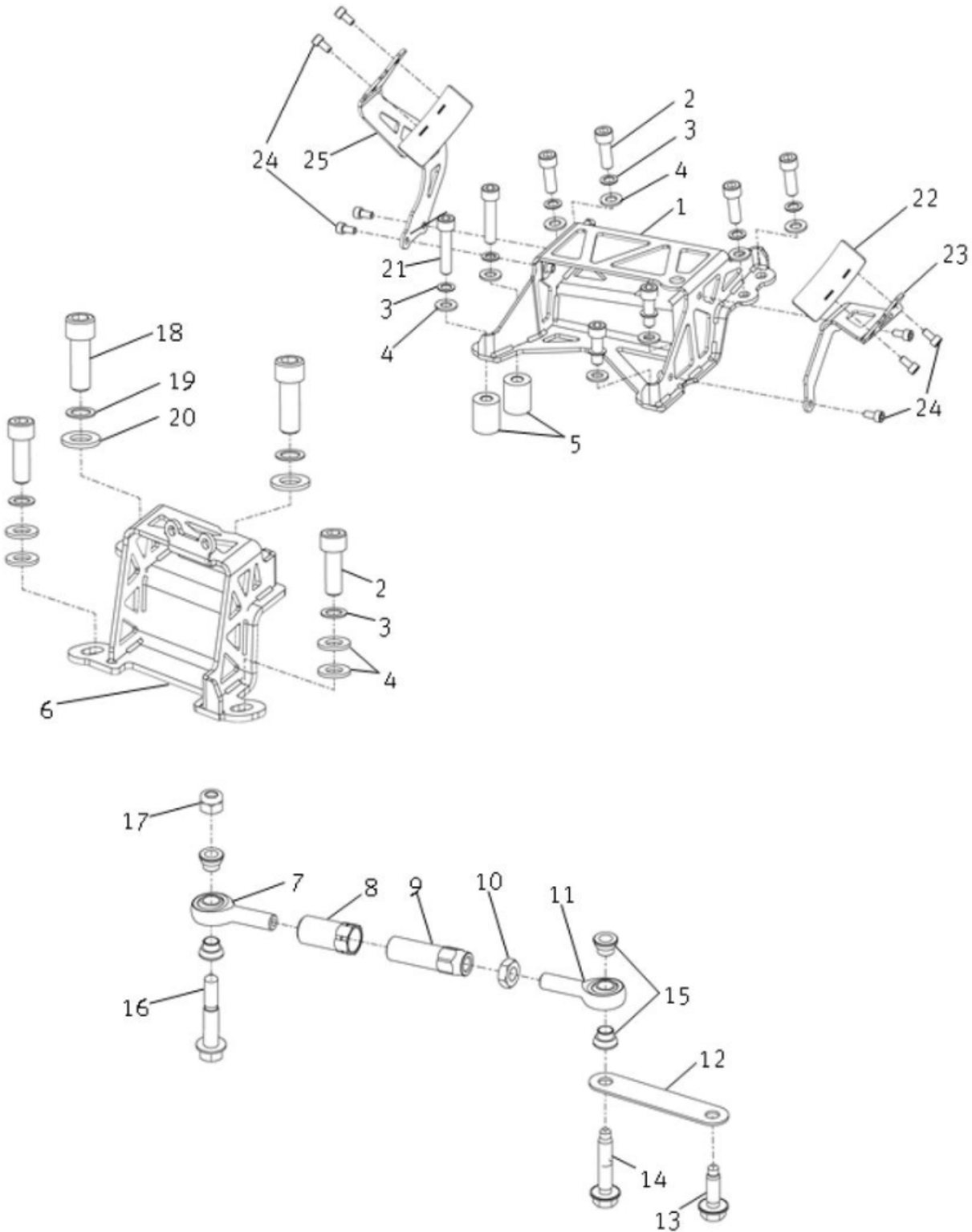
COOLING SYSTEM



COOLING SYSTEM

Pos.	Reference	Description	Qty.
1	_N_10734801	CLAMP 40-60 X12	3
2	5F6145695	TURBO TOWARDS INTERCOOLER HOSE EXIT	1
3	5F6145840	INTAKE PIPE -INTERCOOLER INLET-	1
4	5F6145832A	INTAKE HOSE -INTERCOOLER INLET-	1
5	_N_0245034	CLAMP 60-80x13x0,5	2
6	5F6145834A	INTAKE HOSE -INTERCOOLER OUTLET-	1
7	_N_10518901	CLAMP 50-70X12	3
8	5F6145770	INTAKE PIPE -INTERCOOLER OUTLET-	1
9	5F6145861	INTAKE HOSE	1
10	5F6145803A	INTERCOOLER	1
11	_5Q0145792E	INTAKE PIPE W/ MAP SENSOR	1
12	VN0002545700	O-RING NBR 45x6	2
13	VN0002545800	O-RING NBR 55x6	2

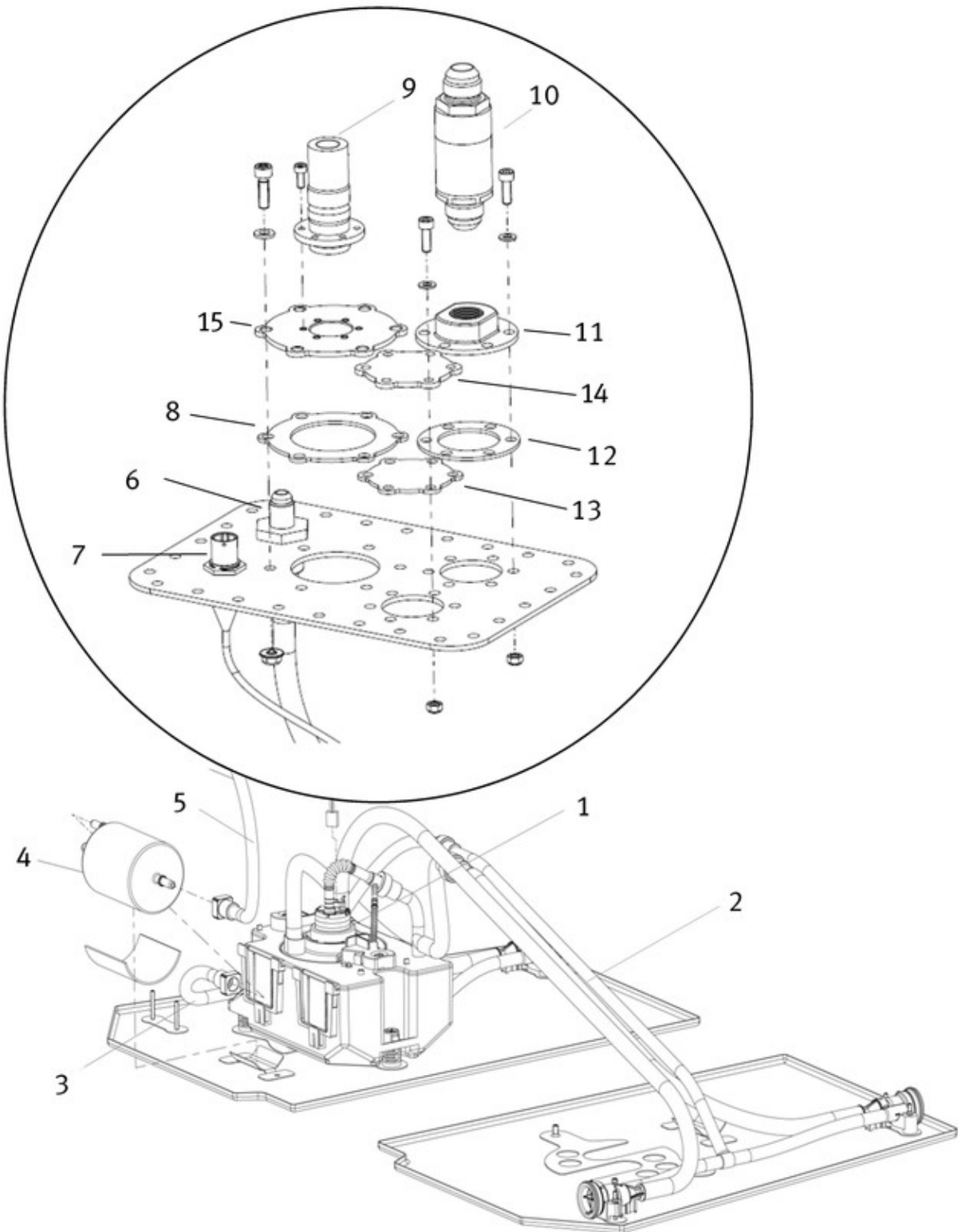
ENGINE SUPPORTS



ENGINE SUPPORTS

Pos.	Reference	Description	Qty.
1	V3FL199555A	GEARBOX SUPPORT	1
2	VN0001161339	ALLEN BOLT M10X30 DIN912 12,9	8
3	VN0002150700	PRESSED TYPE WASHER Ø10,5X16	10
4	VN0002001039	FLAT WASHER Ø10 DIN125	12
5	V3FL199561	GEARBOX SUPPORT SPACER	2
6	V3FL199262A	ENGINE SUPPORT	1
7	V2MT313121	MALE BALL JOINT Ø12 (LEFT)	1
8	V3FL199818	LEFT NUT M12 (LEND SUPPORT)	1
9	V3FL199852	LEND SUPPORT	1
10	VN0003060318	NUT M12 DIN 936 10.9	1
11	V2MT313119	MALE BALL JOINT M12 Ø12	1
12	V3GL199436	BRACKET SUPPORT	1
13	_N_10204807	HEXAGONAL HEAD BOLT WITH FLANGE M10X35	1
14	_N_91031702	HEXAGON SOCKET HEAD BOLT M10X50	1
15	V3GL199065	SOCKET JOINT M12	4
16	_N_90781301	BOLT M10X65	1
17	_N_10261310	HEXAGONAL NUT M10	1
18	VN0001172039	ALLEN HEAD BOLT 12.9M12X150X35DIN912	2
19	VN0002150800	PRESSED TYPE WASHER Ø13X18 DIN W-493	2
20	VN0002001120	FLAT WASHER Ø12MM	2
21	VN0001162039	ALLEN HEAD BOLT M10x65 DIN912 12.9	2
22	5F6133165	AIR FILTER ADAPTER	2
23	5F6133171	AIR FILTER FRONT SUPPORT	1
24	_N_10098811	BOLT M6x16	8
25	5F6133172	AIR FILTER REAR SUPPORT	1

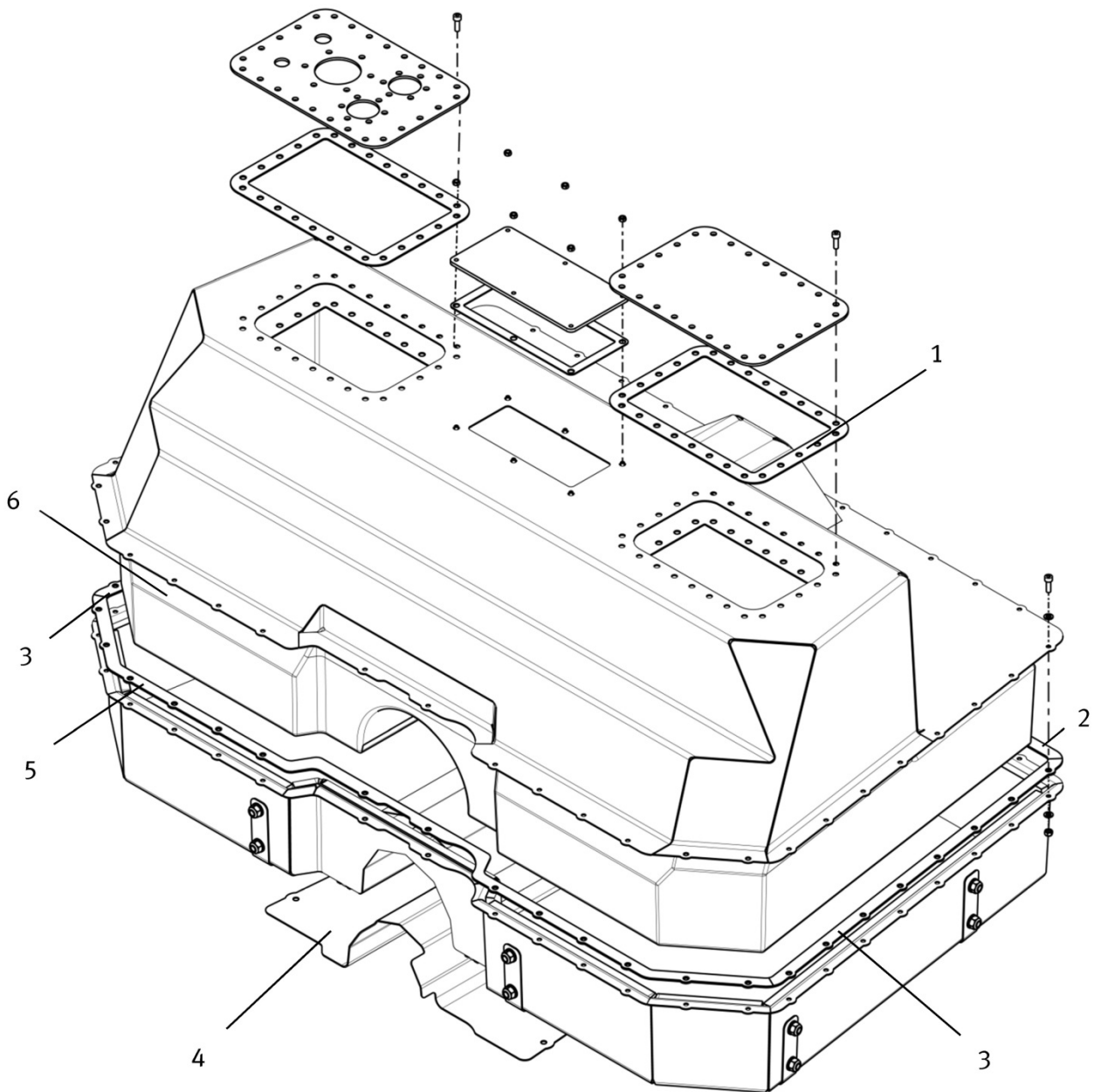
TANK & FUEL SYSTEM 1



TANK & FUEL SYSTEM 1

Pos.	Reference	Description	Qty.
1	8JR201444	FUEL PUMP ASSY.	1
2	5F6201863	SUCTION JET PUMP	1
3	5F6201864	SUCTION JET PUMP	1
4	_4F0201511E	FUEL FILTER	1
5	5F6201220	SUPPLY PIPE (Z)	1
6	8JR201049A	FUEL LINE CONNECTION	1
7	8JR971316	WIRING SET	1
8	5F6201939C	SEAL RING	1
9	VN0005130410	FEMALE FUEL TANK DRY BREAK	1
10	V8PS201753	FIA TANK VENTILATION VALVE - 200mb	1
11	8JR201831A	CONNECTING PIECE	1
12	8JR201621A	PAPER GASKET	1
13	5F6201939B	SEAL RING	1
14	5F6201783A	SHIELD	1
15	5F6201786	VALVE FITTING	1
N/D	5F6201511	FUEL FILTER	1

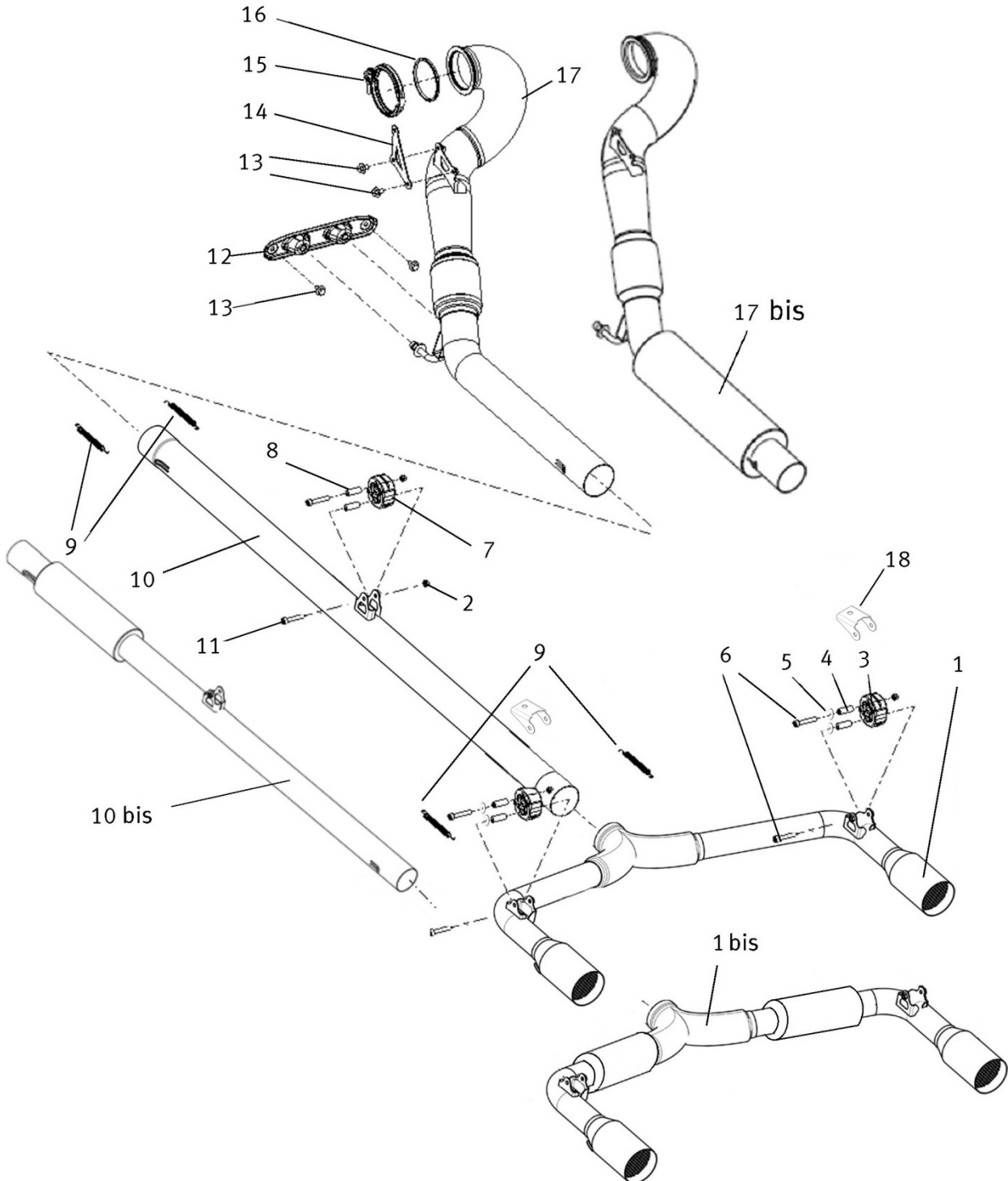
TANK & FUEL SYSTEM 2



TANK & FUEL SYSTEM 2

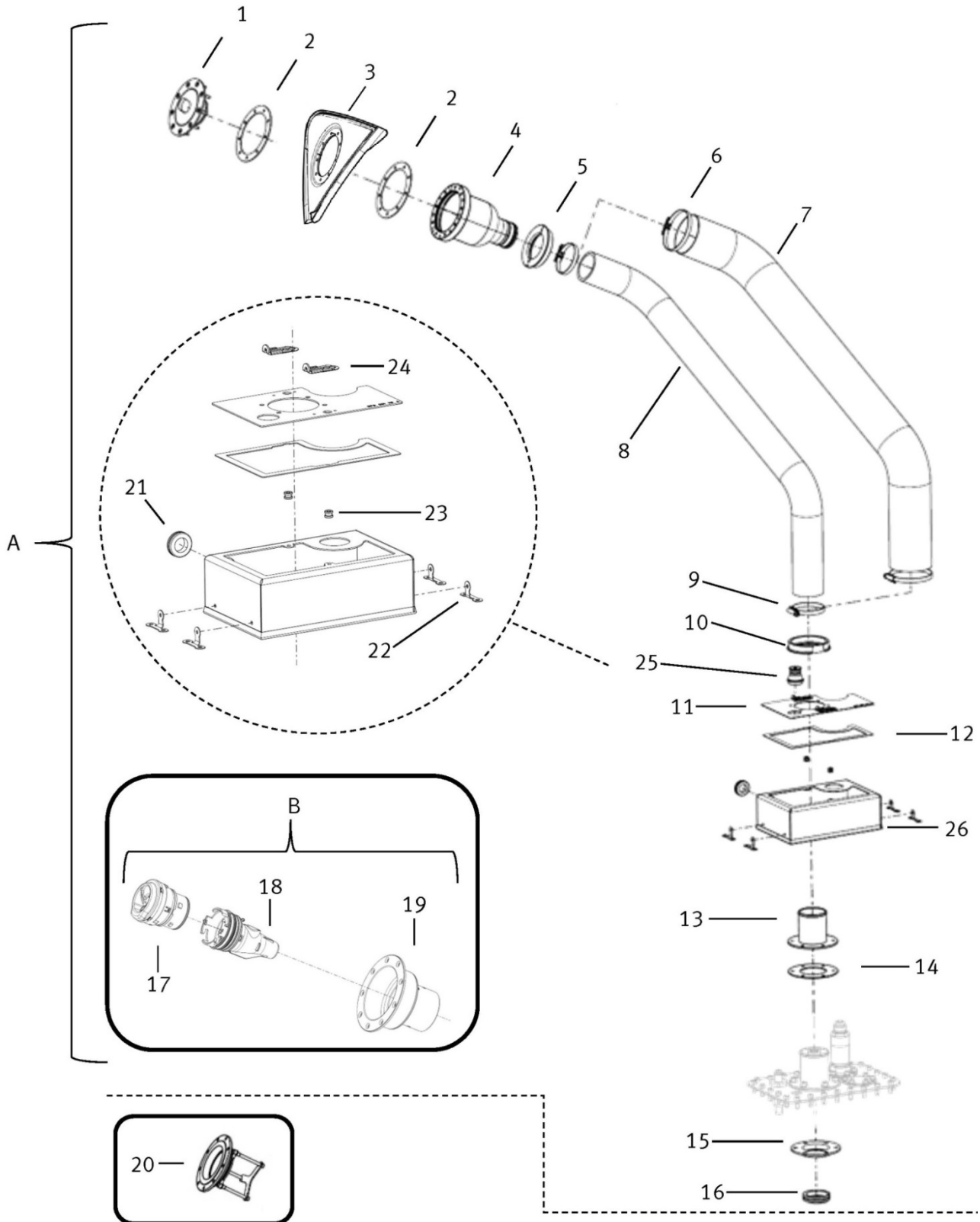
Pos.	Reference	Description	Qty.
1	5F6201558A	GASKET	4
2	5F6201196E	SEAL	1
3	5F6201196D	SEAL	2
4	5F6201247A	SHIELD	1
5	5F6201196C	SEAL	1
6	5F6201075A	FUEL TANK (Z) -BLADER-	1

EXHAUST



EXHAUST

Pos.	Reference	Description	Qty.
1	5F6253611	EXHAUST TAIL PIPE	1
1 bis	5F6253611A	EXHAUST TAIL PIPE w/ SILENCER	1
2	_N_10435508	COLLAR NUT	1
3	_8L9253147	RUBBER SUPORT	2
4	V3FL253579	EXHAUST SILENTBLOCK SPACER	2
5	VN0002221410	FLAT WASHER ZN Ø8X30 DIN522	4
6	VN0001157939	ALLEN BOLT M8X60 DIN912 12.9 PAV.	4
7	_8D0253147E	RUBBER SUPPORT	4
8	V3GL253579	EXHAUST SILENTBLOCK SPACER	1
9	5F6253496	SPRING	2
10	5F6253409	EXHAUST INTERMEDIATE	4
10 bis	5F6253409B	EXHAUST INTERMEDIATE PIPE w/ SILENCER	1
11	VN0001157639	ALLEN BOLT M8X45 DIN912 12.9 PAV.	1
12	_1K0253144AE	SILENTBLOCK SUPPORT	2
13	_N_91079301	HEX COLLARED BOLT M8X16	1
14	V3FL253249	EXHAUST SUPPORT	4
15	_5Q0253725C	CLAMP	1
16	_5Q0253115B	SEAL	1
17	5F6253059	EXHAUST DOWN PIPE	1
17 bis	5F6253059B	EXHAUST DOWN PIPE w/SILENCER	1
18	5F6253144	SUPPORT	1

REFUELING KIT


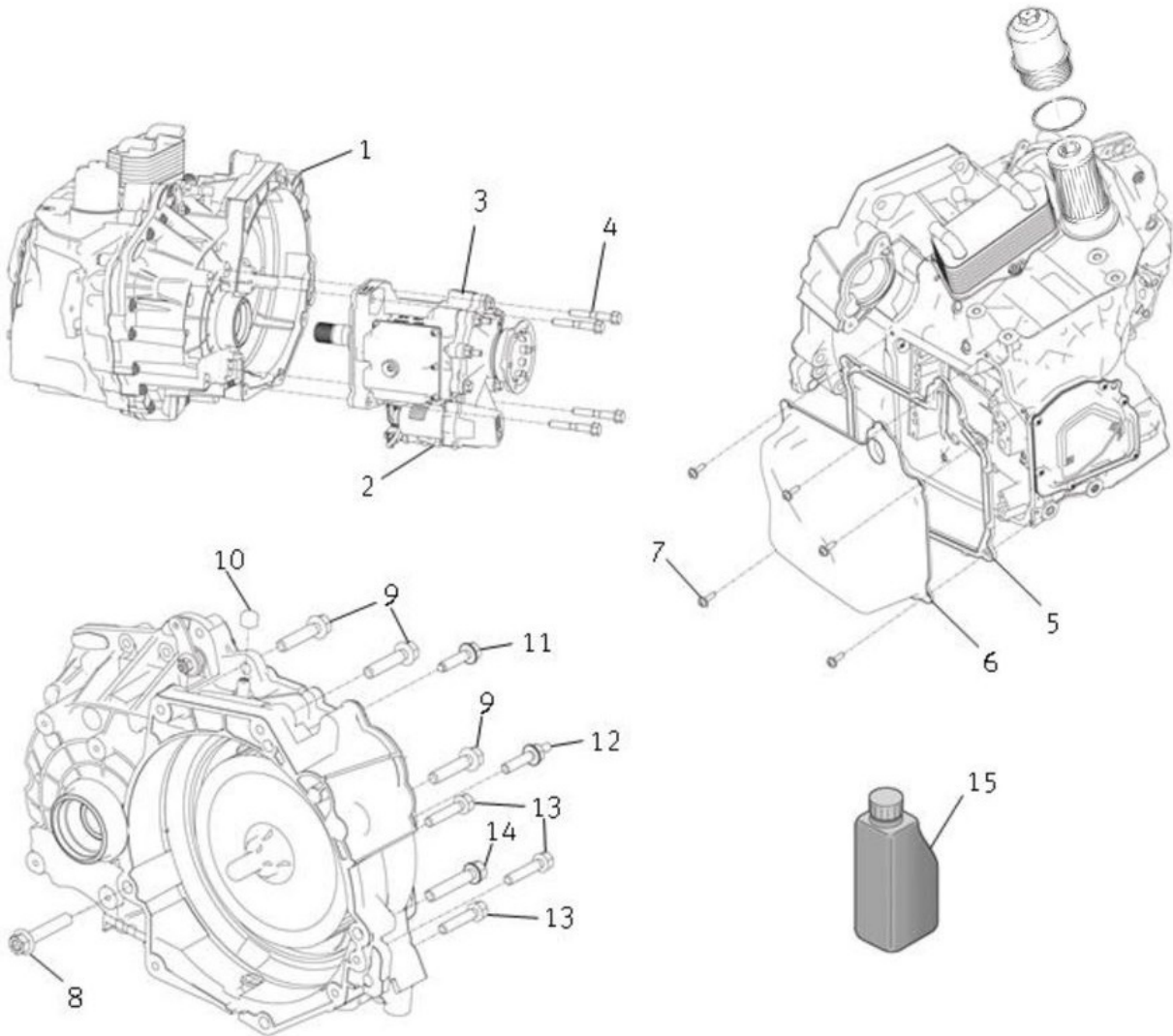
REFUELING KIT

Pos.	Reference	Description	Qty.
A*	5F6198007	EXTERNAL REFUELING KIT	1
B**	5F6201546B	FUEL FILLER CAP W/O VALVE	1
1	5F6201546	FUEL FILLER CAP w/BASE	1
2	5F6201557	SEALING RING	2
3	5F6845046	ADHESIVE FRAME LATERAL GLASS	1
4	5F6201541A	CONNECTING HOSE	1
5	V8PS201122	PROTECTION TUBE UPPER FINAL SUPPORT	1
6	VN0004014100	TOOTHED STAINLES.CLAMP A4 13mm 70X90 SW7	2
7	V2ML201284	FLEXO TRIM	1
8	8JR201548	FILLER HOSE	1
9	_N_10734801	CLAMP 40-60 X12	2
10	5F6201195A	HOSE SUPPORT -LOWER-	1
11	5F6201118A	PROTECTION COVER	1
12	5F6201309	PROTECTION COVER SEAL	1
13	8JR201117	FILLER NECK	1
14	8JR201621	GASKET FOR FILLER NECK	1
15	8JR201785	VALVE SUPPORT	1
16	8JR201811	VALVE	1
17	8JR201112	FILLER HEAD	1
18	8JR201741	FILLER HEAD BASE	1
19	5F6201156	FILLER NECK ADAPTER for GUN	1
20	5F6201546A	FUEL FILLER CAP w/VALVE	1
21	VN0002901300	GROMMET	1
22	5F6201110	PROTECTION BOX BRACKET	4
23	V2MT864793	DZUS PIVOT	2
24	V2MT864791	DZUS CLIP	2
25	_191711487	GROMMET	1
26	5F6201571	PROTECTION BOX	1

* INCLUDES: FROM 1 TO 16 & B

** INCLUDES: 17, 18 & 19

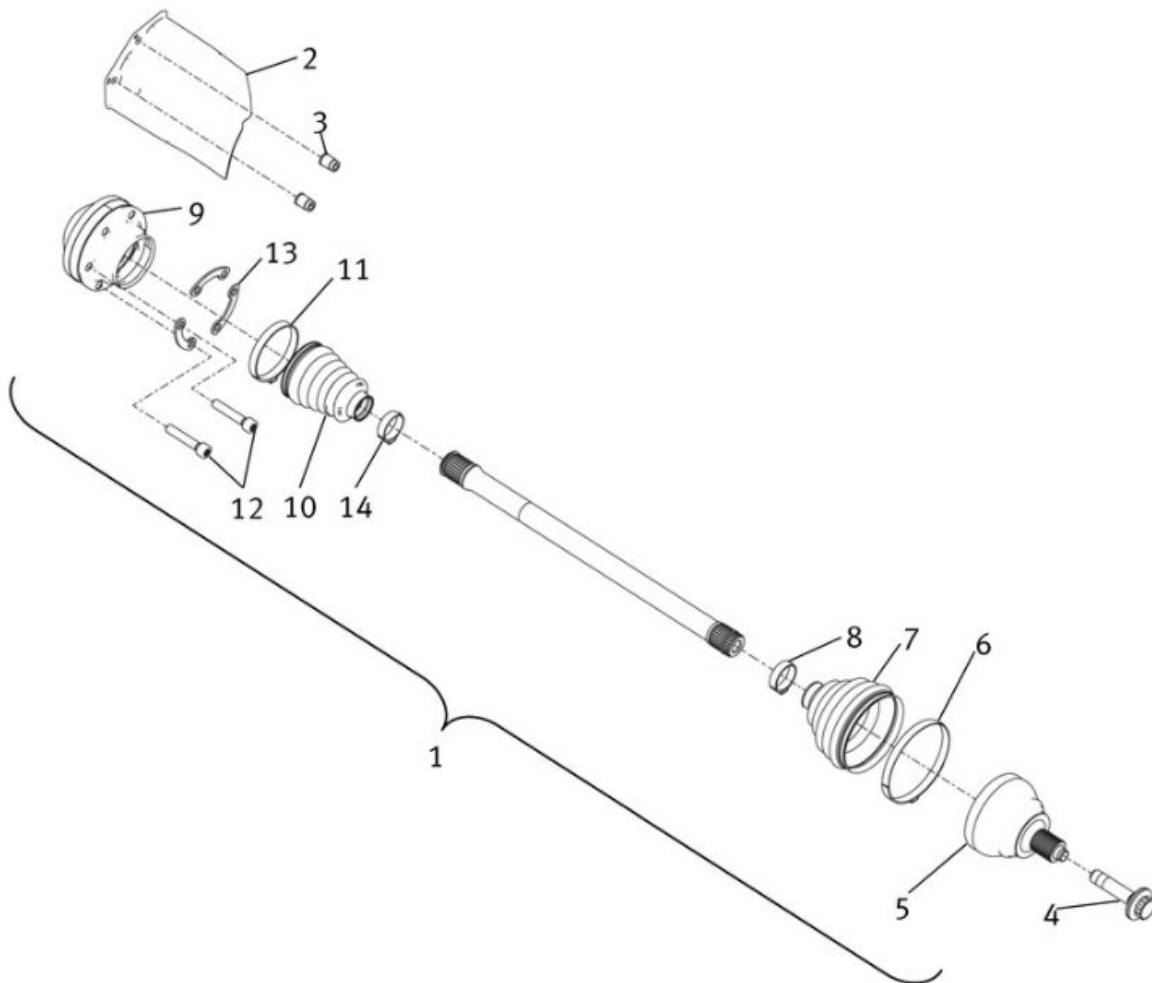
GEARBOX



GEARBOX

Pos.	Reference	Description	Qty.
1	VL1G300C00	GEARBOX MQB DQ-250 + VAQ	1
2	VL1G907321	VAQ PUMP	1
3	5F6409055	FRONT AXLE DIFFERENTIAL LOCK	1
4	_N_90990202	BOLT M10X11X70	4
5	_02E321371E	GASKET	1
6	_02E325201D	COVER	1
7	_N_91032701	BOLT M6X20	5
8	_N_10692401	HEXAGON HEAD BOLT (COMBI) M12X70	1
9	_N_91030402	BOLT M12X55	3
10	_095409841	VENTILATION CAP	2
11	_N_90956402	BOLT M10X45	1
12	_N_91191701	BOLT M10X40 - M8X16	1
13	_N_91031702	HEXAGON SOCKET HEAD BOLT M10X50	3
14	_N_91060202	HEX COLLARED BOLT M12X1,5X65	1
15	_G052182A2	GEARBOX OIL 1L.	1
N/D	VL1G325025	MECHATRONIC WITH SOFTWARE	1
N/D2	VL1G301400	BREATHER LINE	1
N/D3	_G060175A2	HIGH-PERFORMANCE OIL FOR HALDEX COUPLING	1

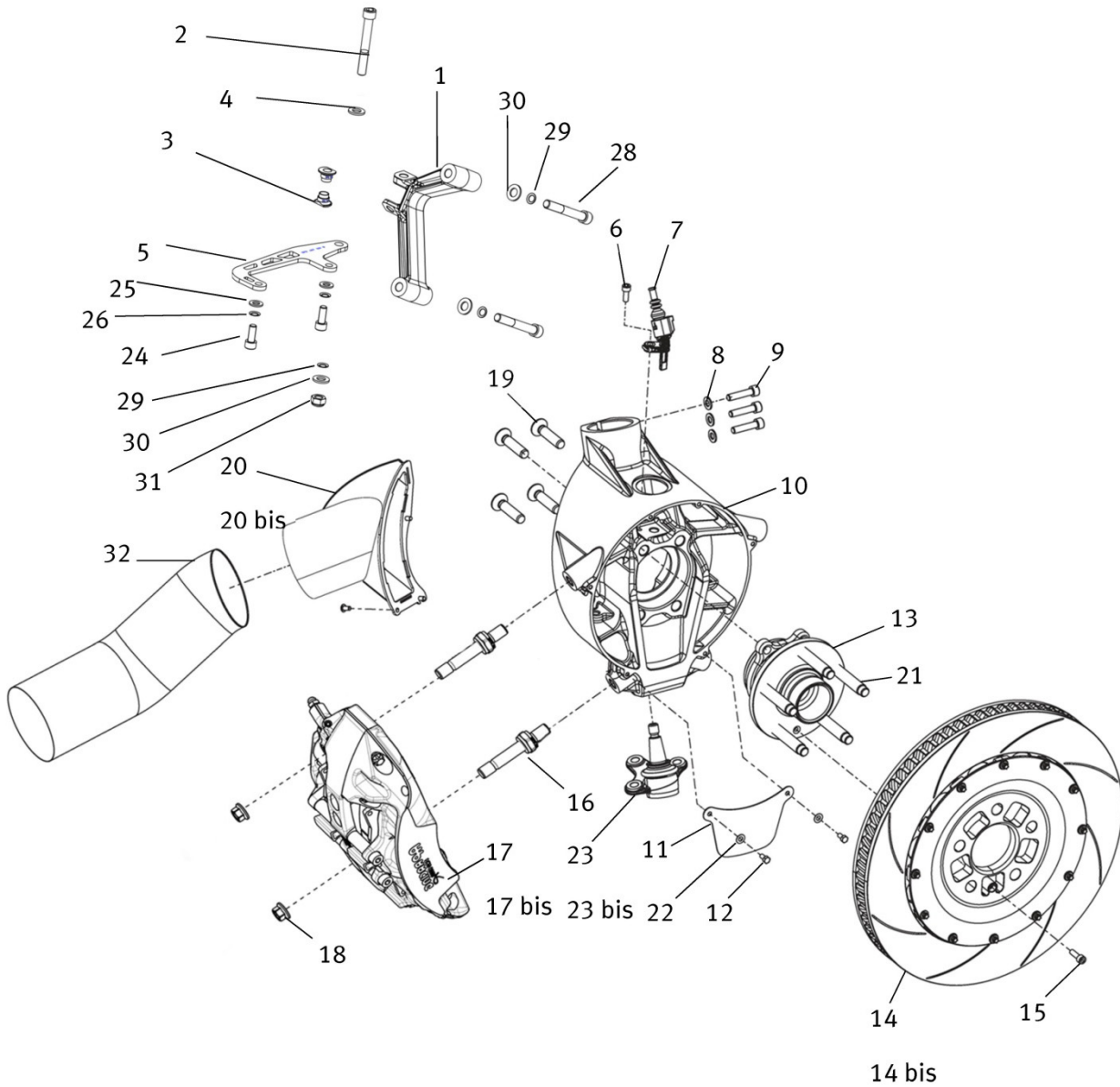
DRIVESHAFT



DRIVESHAFT

Pos.	Reference	Description	Qty.
1	5F6407271A	LEFT DRIVESHAFT ASSEMBLY	1
1_bis	5F6407272A	RIGTH DRIVESHAFT ASSEMBLY	1
2	_5Q0407720	GUARD PLATE	1
3	_1K0407407	HEXAGON SOCKET HEAD PIPE NUT M8X20X15	2
4	_WHT005437	DODECAGONAL HEAD BOLT M16X1.5X70	2
5	_3C0407311A	C.V. JOINT	2
6	V3FL407291	DRIVESHAFT CLAMP Ø107x9x0,7	2
7	V2MT407285	EXTERNAL CV JOINT BOOT	2
8	V3FL407292	DRIVESHAFT CLAMP Ø34,1x7x0,7	2
9	_1K0407331	EXTERNAL ARTICULATION	2
10	_1K0407283A	INTERNAL CV JOINT BOOT	2
11	_N__90947301	DRIVESHAFT CLAMP Ø75X10X1	2
12	_N__90991102	SOCKET HEAD BOLT WITH INNER M10X52	12
13	_1K0407357D	SPACER	6
14	_N__90824001	DRIVESHAFT CLAMP Ø34,5X10X0,8	2
N/D	VN0000040401	C.V. JOINT GREASE 300Gr	1

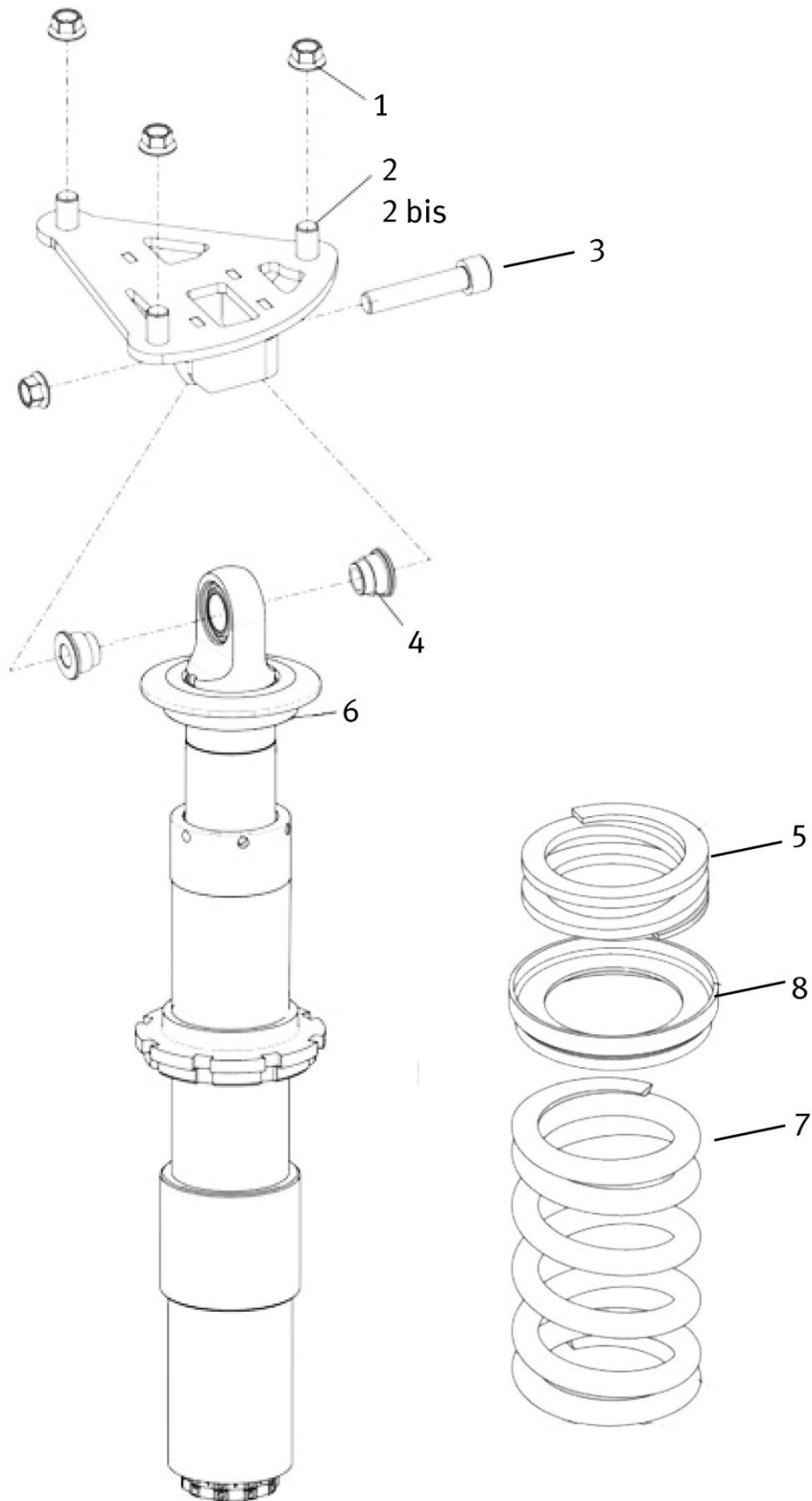
FRONT UPRIGHT AND HUB



FRONT UPRIGHT AND HUB

Pos.	Reference	Description	Qty.
1	5F6407839C	STEERING HANDLE (Z) 2016	2
2	5F6407137	STEERING HANDLE FIXATION SCREW	2
3	5F6419775	BUSH	4
4	VN0002081130	WASHER	2
5	5f6407130B	REINFORCEMENT -STEERING HANDLE 2016-	4
6	_N_01474011	HEXAGONAL HEAD NUT M6X16	2
7	_WHT003856	FRONT WHEEL SPEED SENSOR	2
8	VN0002150600	PRESSED TYPE WASHER Ø8,5X13	6
9	VN0001157439	ALLEN BOLT M8X30 DIN912 12,9 PAV.	6
10	5F6407251	UPRIGHT / HUB ASSEMBLY (L/R)	2
11	V3FL615311A	THERMAL PROTECTION PLATE	2
12	VN0001148539	ALLEN BOLT M5X10DIN912	4
13	5F6407614	WHEEL HUB ASSEMBLY	2
14	5F6615297C	COMPLETE LEFT FRONT BRAKE DISC Ø378X34	1
14 bis	5F6615298C	COMPLETE RIGHT FRONT BRAKE DISC Ø378X34	1
15	VN0001153216	ALLEN BOLT M6X25 DIN912 8.8 ZN.	2
16	5F6615421	BRAKE CALIPER ADAPTER -RADICAL-	4
17	5F6615105A	BRAKE CALIPER FRONT LEFT	1
17 bis	5F6615106A	BRAKE CALIPER FRONT RIGHT	4
18	VN0003221200	K-NUT M12	4
19	_WHT000237	BOLT M12x45	4
20	5F6615393	AIR DUCT ELEMENT	1
20 bis	5F6615394	AIR DUCT ELEMENT	1
21	5F6601295	WHEEL STUD	10
22	VN0002150300	PRESSED TYPE WASHER Ø5,2X9	4
23	V3FL407365	GUIDE JOINT LEFT	1
23 bis	V3FL407366	GUIDE JOINT RIGHT	1
24	VN0001161039	ALLEN HEAD BOLT 12.9 M10X20DIN912	4
25	VN0002001010	WASHER Ø10 DIN125 ZN.	4
26	VN0002150700	PRESSED TYPE WASHER Ø10,5X16	4
28	VN0001166539	BOLT ALLEN CIL PAV 12.9 M12X90DIN912	4
29	VN0002150800	PRESSED TYPE WASHER Ø13X18	4
30	VN0002001139	FLAT WASHER Ø12 DIN125	4
31	VN0003090825	NUT M12 DIN985	2
32	5F6615357	BOOT -880mm-	2

FRONT SHOCK ABSORBER

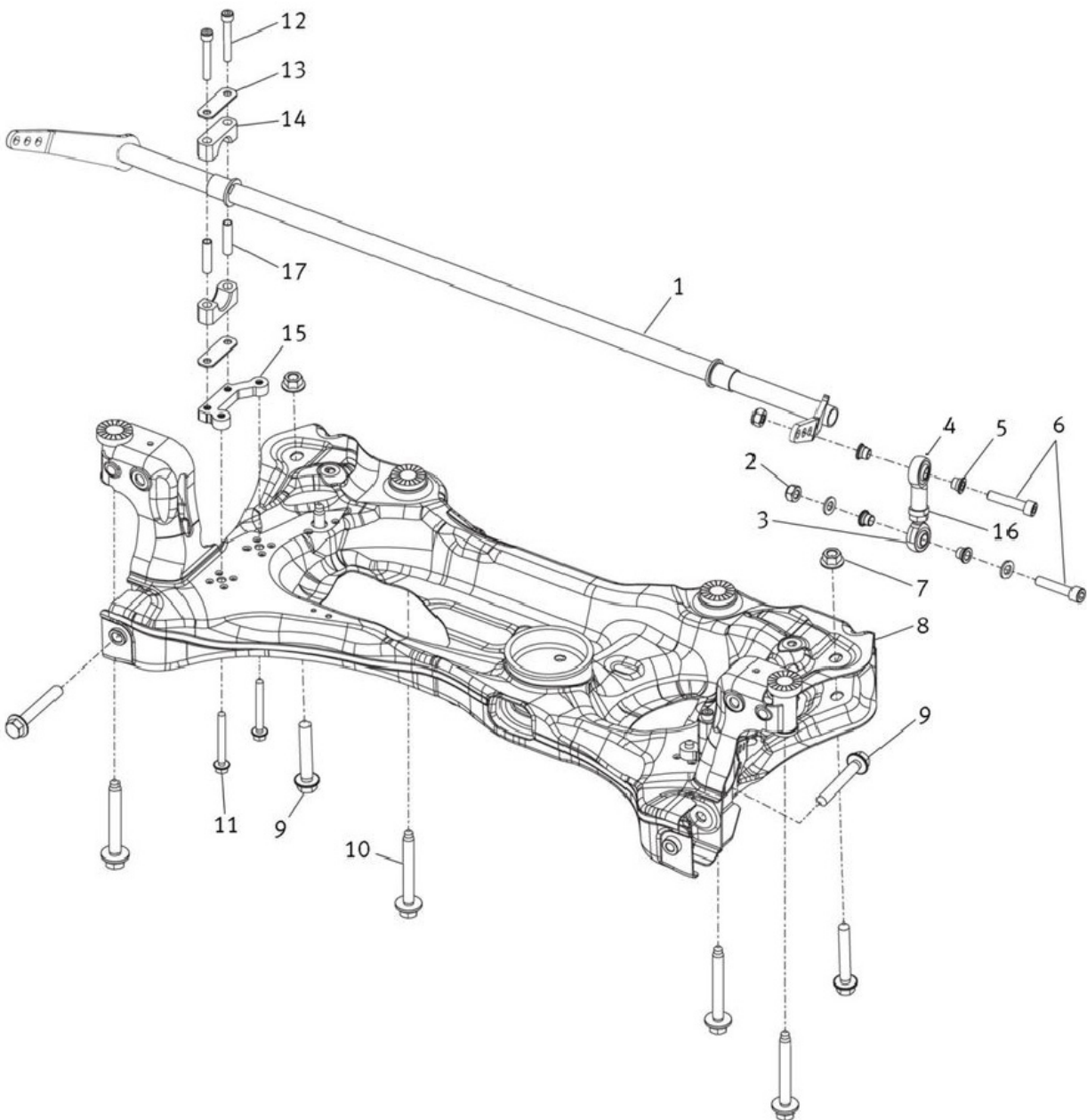


FRONT SHOCK ABSORBER

Pos.	Reference	Description	Qty.
1	VN0003221000	AVIATION'S NUT M10	8
2	V3FL412331A	LEFT FRONT SHOCK ABSORVER FIXATION	1
2 bis	V3FL412332A	RIGHT FRONT SHOCK ABSORVER FIXATION	1
3	VN0001161739	ALLEN BOLT M10X50 DIN912 12.9 PAV.	2
4	5F6412099	BUSH	4
5	VN0020018100	TENDER SPRING 60-60-002	2
6	5F6413031B	FRONT SHOCK ABSORBER	2
7	5F6411105	SPRING 170-60-70	2
7 bis	5F6411105A	SPRING 170-60-80	2
7bis2*	8S6411105B	SPING 170-60-110	2
7 bis3	8S6411105A	SPING 170-60-100	2
7 bis4	8S6411105C	SPING 170-60-120	2
8	V2MT411113C	SPRING SPACER Ø80mm.	2
N/D	5F6498969	HOOK WRENCH DAMPERS	1
N/D2	5F6498970	ADJUSTER PIN FRONT DAMPER	1

* SERIAL SPRING

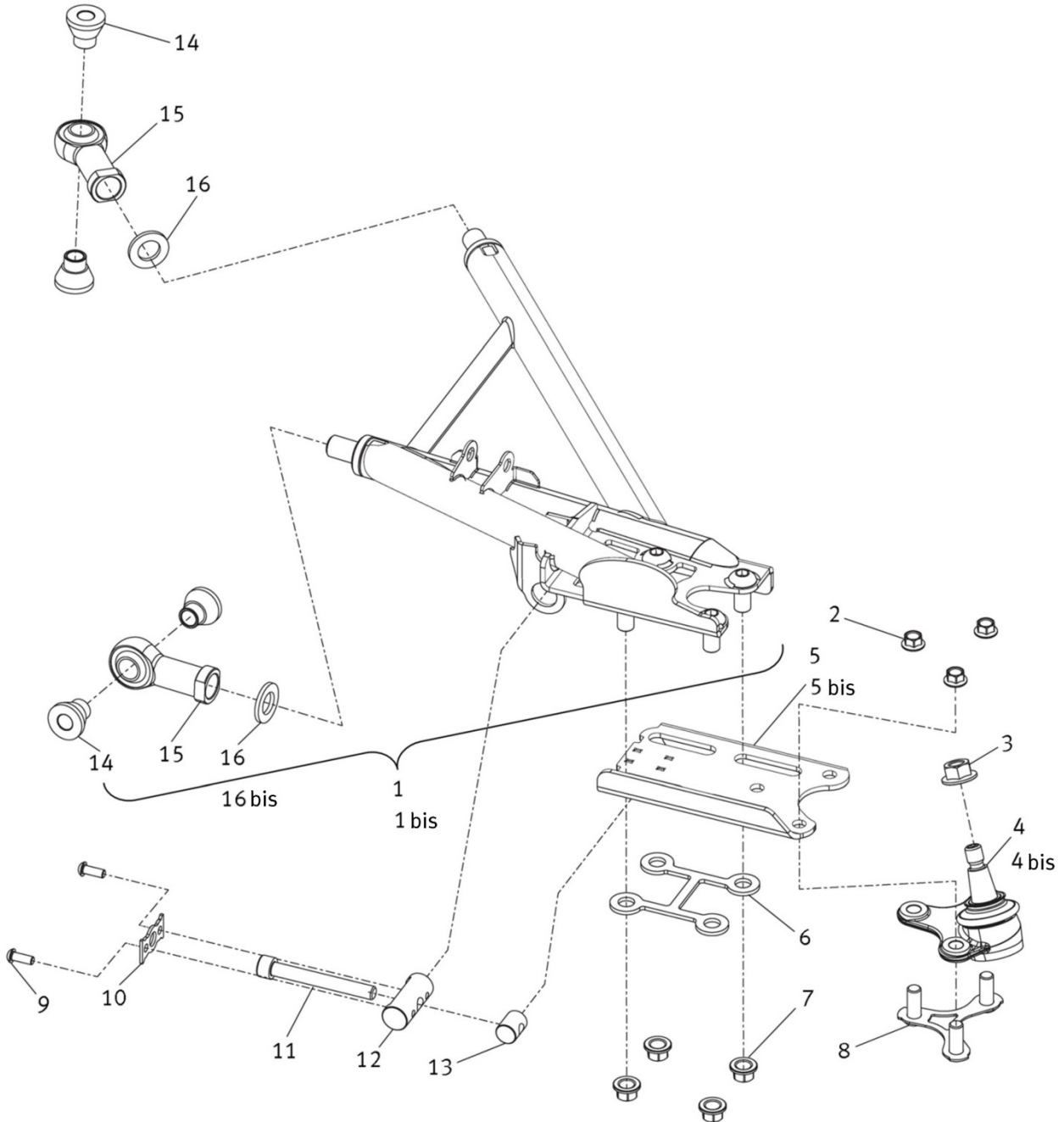
FRONT SUBFRAME



FRONT SUBFRAME

Pos.	Reference	Description	Qty.
1	V3FL411303	ARB ASSEMBLY AV Ø22X3	1
1 bis	V3FL411303A	ARB ASSEMBLY AV Ø22X2 (G)	1
2	VN0003221000	AVIATION'S NUT M10	4
3	VN0005401212	FEMALE BALL JOINT Ø12X1,75 RIGHT -TEFLON	2
4	VN0005401012	MALE BALL JOINT Ø12X1,75 RIGHT -TEFLON	2
5	V3FL411387A	BALL JOINT SPACER	8
6	VN0001161639	ALLEN BOLT M10X150X45 DIN912 12,9 PAV.	4
7	_N_10106402	HEXAGON COLLAR NUT SELF-LOCKING M12X1,5	2
8	5F6199313	FRONT SUBFRAME ASSEMBLY	1
9	_N_10640501	BOLT, HEX.HD.WITH SHOULD. M12X1,5X80	4
10	_N_10785401	HEXAGON FLANGE SCREW (COMBI) M12X1,5X95	4
11	_N_10690201	HEXAG. BOLT M8X70	4
12	5F6423131	SCREW	4
13	V3FL511456	ANTI ROLL BAR SUPPORT PLATE	4
14	V3FL511453	ANTI ROLL BAR SUPPORT	2
15	5F6411175	ARB AV SPACER	2
16	VN0003060318	NUT PAV. 12.9 M12 DIN 936	2
17	5F6411325B	ARB SUPPORT SPACER	4

WISHBONE

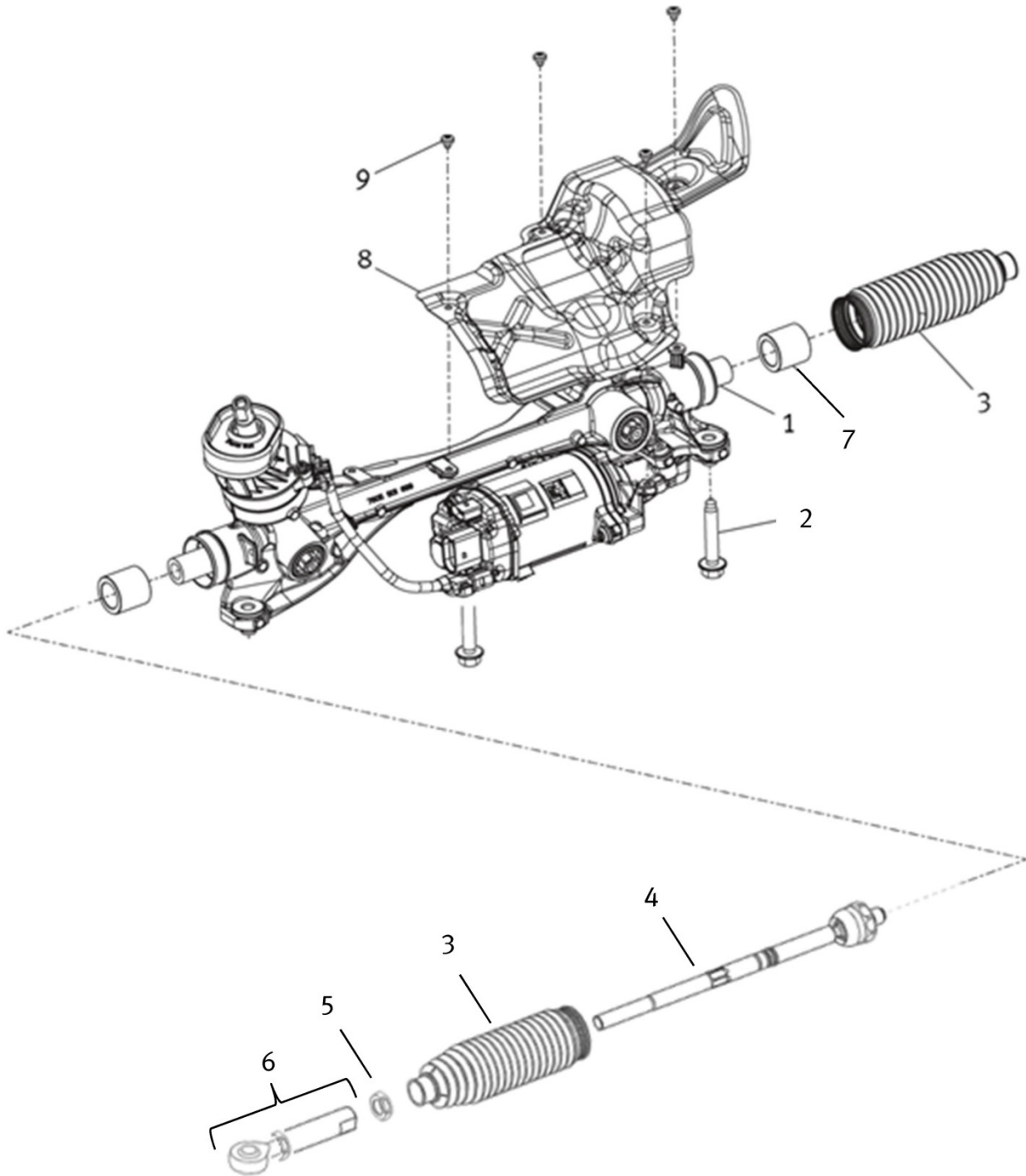


WISHBONE

Pos.	Reference	Description	Qty.
1*	5F6407153	WHISBONE WITH BALL JOINTS	1
1 bis*	5F6407154	WHISBONE WITH BALL JOINTS	1
2	VN0003221000	AVIATION'S NUT M10	6
3	_WHT000785A	FLAT HEXAG. NUT M12X1.5	2
4	V3FL407365	GUIDE JOINT LEFT	1
4 bis	V3FL407366	GUIDE JOINT RIGHT	1
5	5F6407189	ARM CAMBER PLATE LEFT ASSY.	1
5 bis	5F6407190	ARM CAMBER PLATE RIGHT ASSY.	1
6	V3FL407323	REGULATION PLATE	2
7	VN0003221200	K-NUT M12	8
8	5f6407178	GUIDE JOINT PLATE ASSY. -AV- (G)	2
9	VN0001905939	ALLEN BOLT PAV. 12.9M6X15ISO7380	4
10	V3FL407478	REGULATION SCREW FIXATION PLATE	2
11	VN0001021039	ALLEN BOLT M10X80 DIN912 12,9 PAV.	2
12	V3FL407477	REGULATION FIXED SPACER	2
13	V3FL407476	REGULATION MOBIL SPACER	2
14	5F6407371	SPHERICAL BEARING SPACER	8
15	VN0005401616	FEMALE BALL JOINT Ø16X1,50 RIGHT	4
16	VN0002052639	ADJUST WASHER 12.9 Ø16E=0,2 DIN988	4
16 bis	VN0002056339	ADJUST WASHER 12.9 Ø16E=0,3 DIN988	4

* INCLUDES REFERENCES 15, 16

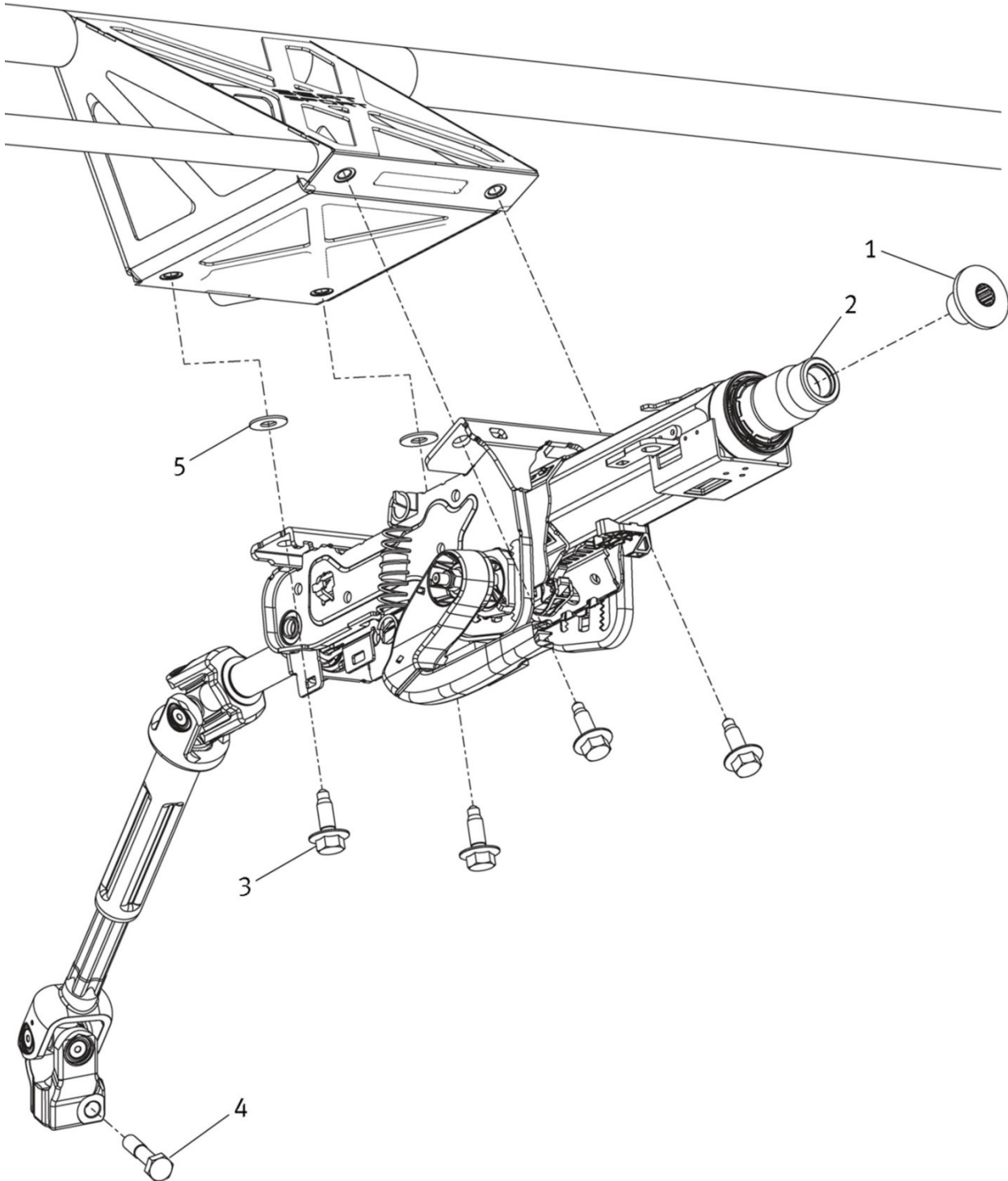
STEERING RACK



STEERING RACK

Pos.	Reference	Description	Qty.
1	5F6423055A	STEERING RACK w/o ROD END ARM-PROGRAMMED-	1
2	_N_10552402	HEXAGONAL BOLT M12X75	2
3	_1K0423831A	BELLOW	2
4	V3FL422807A	AXIAL JOINT	2
5	_N_01116417	HEXAGON NUT M16X1,5	2
6	5F6419811	AXIAL JOINT	2
7	5f6422233A	STEERING RACK STOPPER	2
8	_5Q1423981D	HEAT SHIELD	1
9	_N_90915802	T HEX.SOCKET HEAD BOLT,THREAD-FORMING M6X7	4

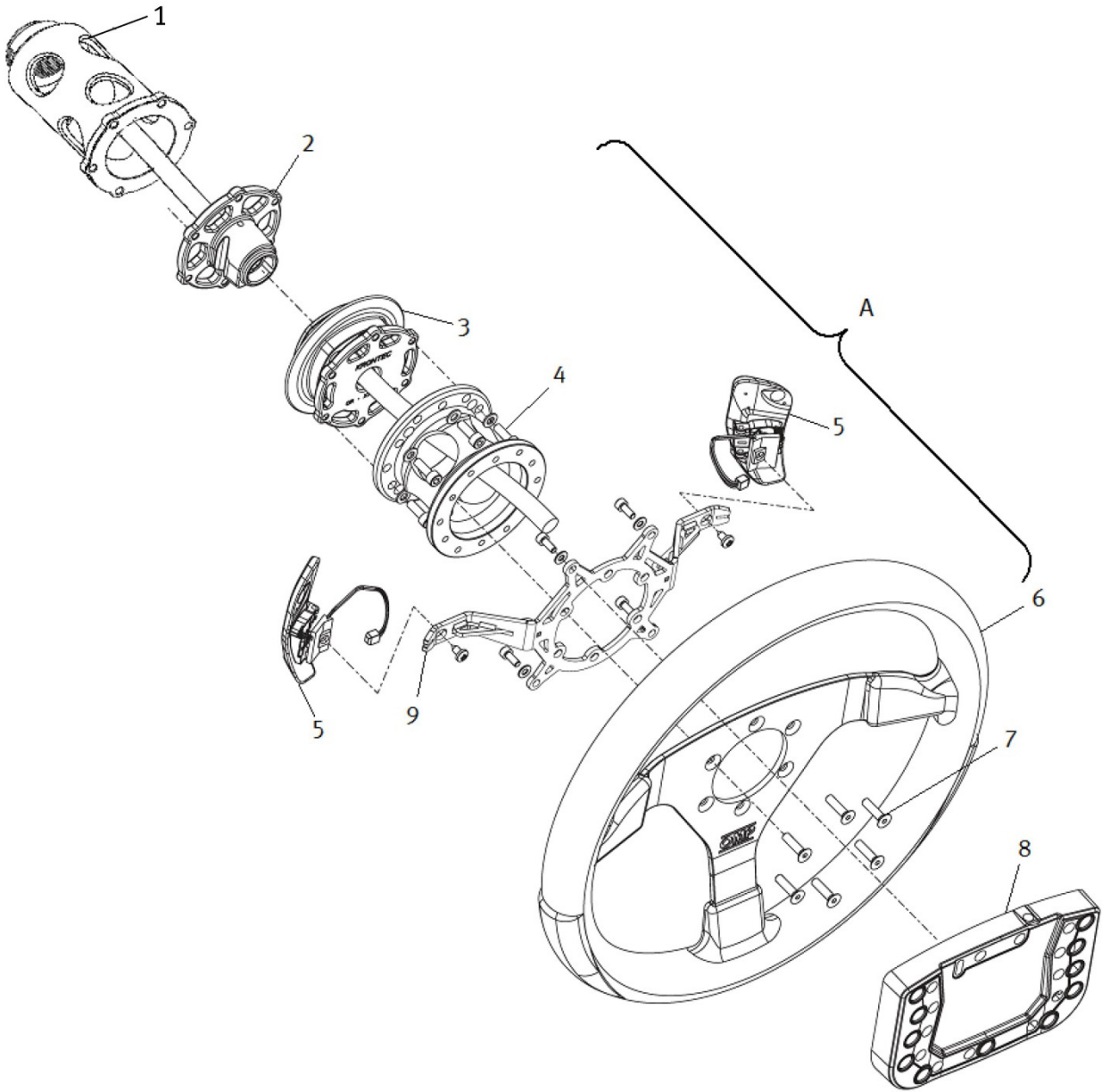
STEERING COLUMN



STEERING COLUMN

Pos.	Reference	Description	Qty.
1	_N_90799102	SOCKET HEAD BOLT M18X1.5X18	1
2	V3FL419502	STEERING COLUMN ASSY.	1
3	_N_0195307	HEX COLLARED BOLT M8X25	4
4	_N_01033513	Bolt M8x35	1
5	VN0002221310	FLAT WASHER ZN Ø8X20 DIN522	2

STEERING WHEEL AND SHIFT PADS

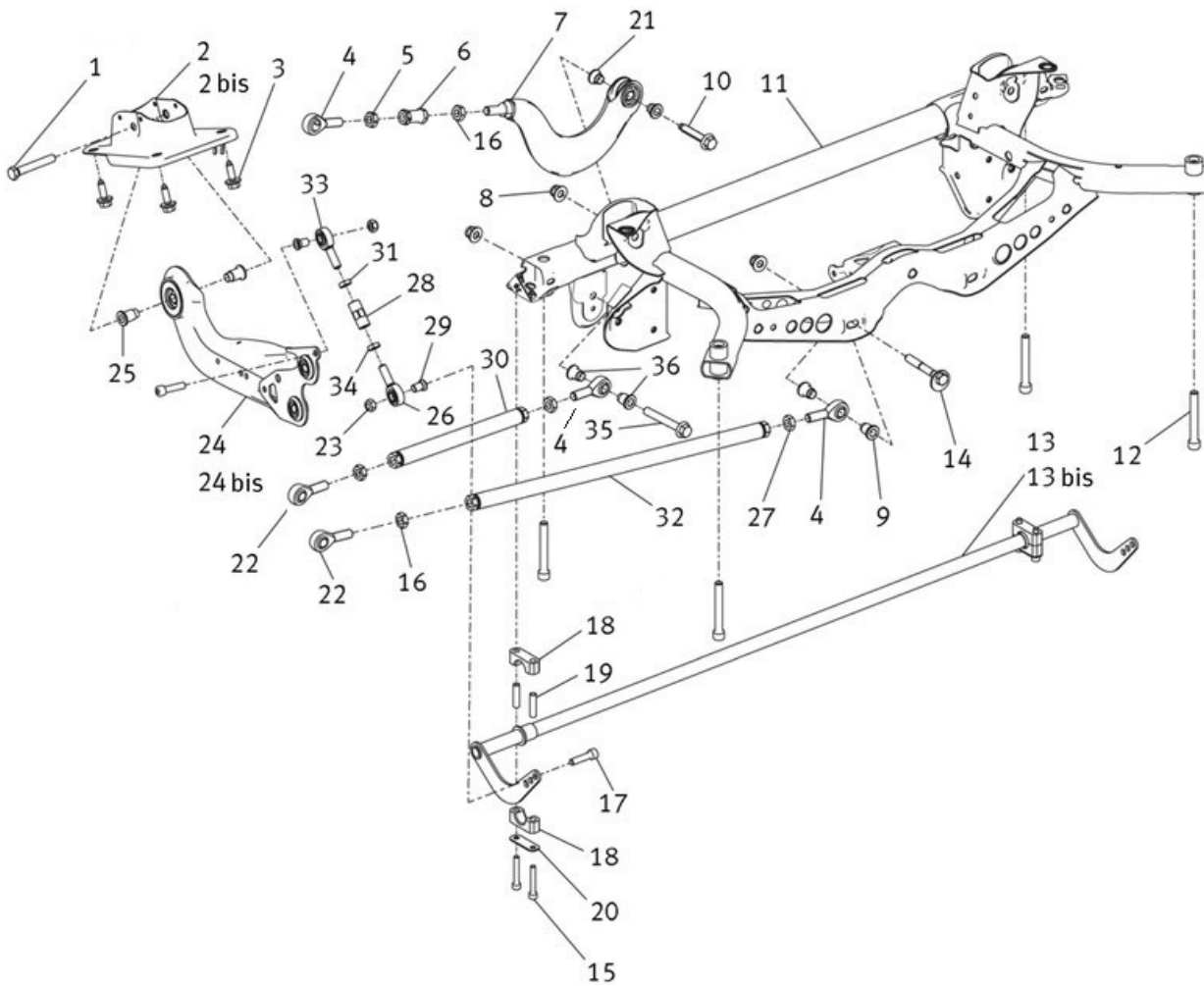


STEERING WHEEL AND SHIFT PADS

Pos.	Reference	Description	Qty.
A*	5F6419089	COMPLETE STEERING WHEEL	1
1	5F6419919B	CONNECTING PART 120 mm	1
1_bis	5F6419919A	CONNECTING PART 100 mm	1
1_bis2	5F6419919C	CONNECTING PART 140 mm	1
2	5F6971475	WIRING HARNESS STEERING WHEEL	1
3	V3FL970317	STEERING WHEEL WIRING LOOM L=20mm	1
4	V3FL419077	STEERING WHEEL SPACER E=60MM	1
4_bis	8S6422211	STEERING WHEEL SPACER E=20MM	1
4_bis2	8S6422211A	STEERING WHEEL SPACER E=40MM	1
5	VOJL951520	COMPLETE SHIFT PADS TIPTRONIC	1
6	V3FL419091	STEERING WHEEL OMP Ø330MM -TARGA-	1
7	VN0001839639	ALLEN CONE BOLT M5X15 DIN7991 PAV. 12.9	6
8	V3FL959400	STEERING WHEEL MULTIFUNCTION BOX	1
9	V3FL919837A	DSG BUTTON SUPPORT ASSY.	1

* INCLUDES PARTS 3,4,5,6,7,8,9

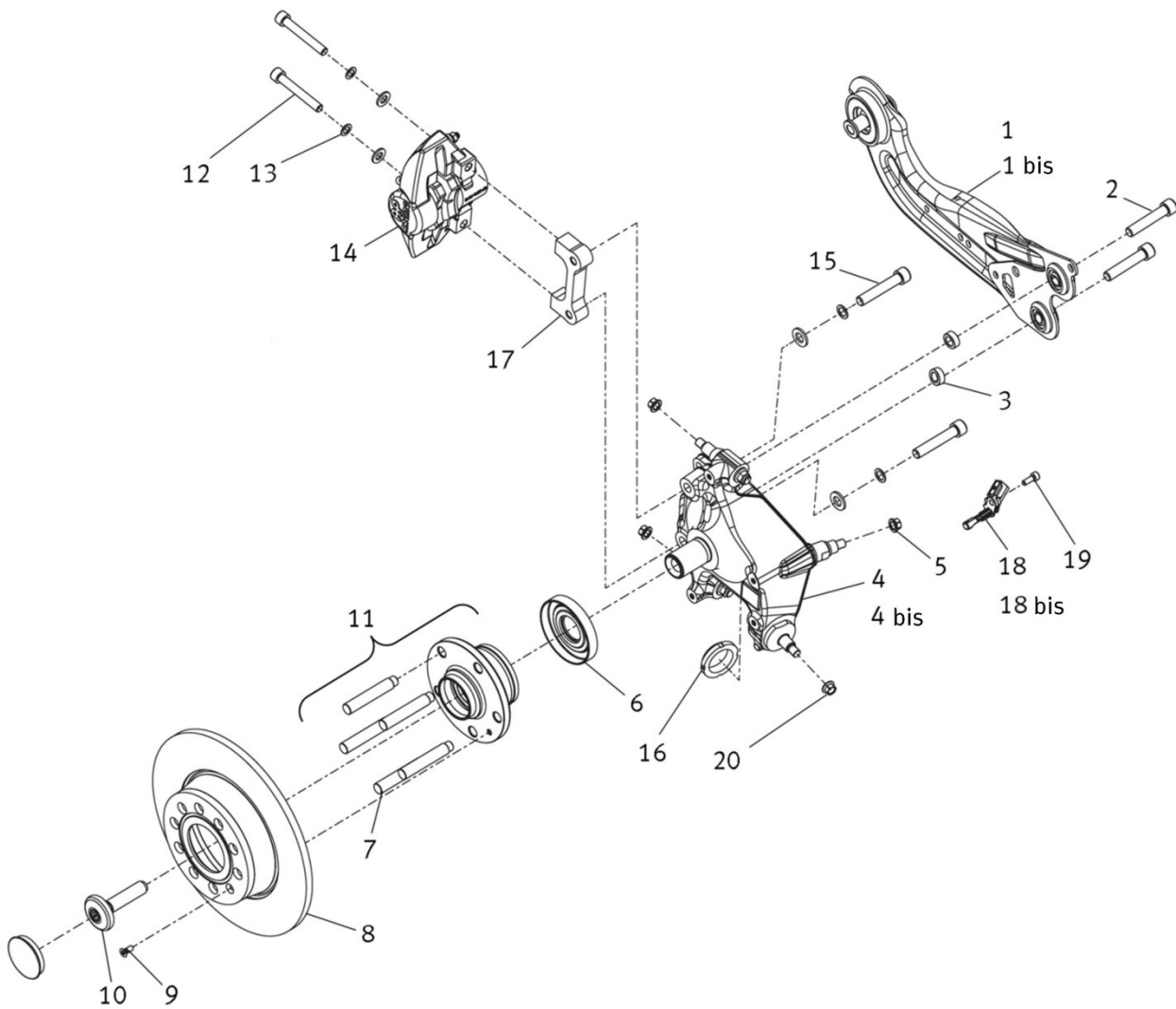
REAR AXLE



REAR AXLE

Pos.	Reference	Description	Qty.
1	_N_10769501	HEXAGON BOLT M12X1,50X80	2
2	_1K0505129L	LEFT BRACKET	1
2 bis	_1K0505130L	RIGHT BRACKET	1
3	_N_90648402	HEXAGON HEAD BOLT (COMBI) M10X35	8
4	V4PL501674	BALL JOINT LEFT MALE Ø14 SMLEM14.51	3
5	VN0003065837	NUT PAV.10 M14X150 DIN936 (TURN LEFT)	2
6	V3FL505338A	CAMBER REGULATION	2
7	5F6505341	SEMI-TRAILING ARM w/BALL JOINT & CIRCLIP	2
8	_N_10106402	HEXAGON COLLAR NUT SELF-LOCKING M12X1,5	4
9	V4PL505529	Spacer ball joint	4
10	_N_10552402	BOLT HEXAGONAL M12X75	2
11	V3FL505315	REAR SUBFRAME ASSY. (G)	1
12	VN0001166039	ALLEN BOLT CIL PAV 12.9 M12X65DIN912	4
13	V3FL511407	ANTI ROLL BAR Ø22x3	1
13 bis	V3FL511407A	ANTI ROLL BAR Ø22x4	1
14	_WHT001761	ECCENTRIC BOLT M12X1,5X90	2
15	VN0001157739	ALLEN BOLT M8X50 DIN912 12.9	4
16	VN0003064396	LOCK-NUT ACE 3/8" 24H LEFT DIN936	2
17	VN0001161539	ALLEN BOLT PAV.12.9 M10X40DIN912	4
18	V3FL511453	ANTI ROLL BAR SUPPORT	2
19	5F6411325B	ARB SUPPORT SPACER	2
20	V3FL511456	ANTI ROLL BAR SUPPORT PLATE	2
21	V3FL505531	SPHERICAL BEARING SPACER	4
22	V4PL501673	BALL JOINT MALE Ø14 SMEM14.51	4
23	VN0003221000	AVIATION'S NUT M10	4
24	5F6505225	TRAILING LINK	1
24 bis	5F6505226	TRAILING LINK	1
26	VN0005401012	MALE BALL JOINT Ø12X1,75 RIGHT -TEFLON	2
27	VN0003065837	NUT PAV.10 M14X150 DIN936 (TURN LEFT)	4
28	V3GL411318A	CONNECTING ROD	2
29	V3FL505152	SOCKET JOINT M12	4
30	5F6501530	LOWER FRONT ARM	2
31	VN0003067300	NUT (TURN LEFT) PAV. 5.6 M12	2
32	5F6505467	REAR ARM ASSY.	2
33	VN0005401112	MALE BALL JOINT Ø12X1,75 LEFT -TEFLON-	2
34	VN0003000716	LOW NUT M12 DIN439	2
35	VN0001164039	ALLEN CIL. PAV. 12.9 M12X150X90 SCREW	2
36	V3FL505529	SPHERICAL BEARING SPACER	4

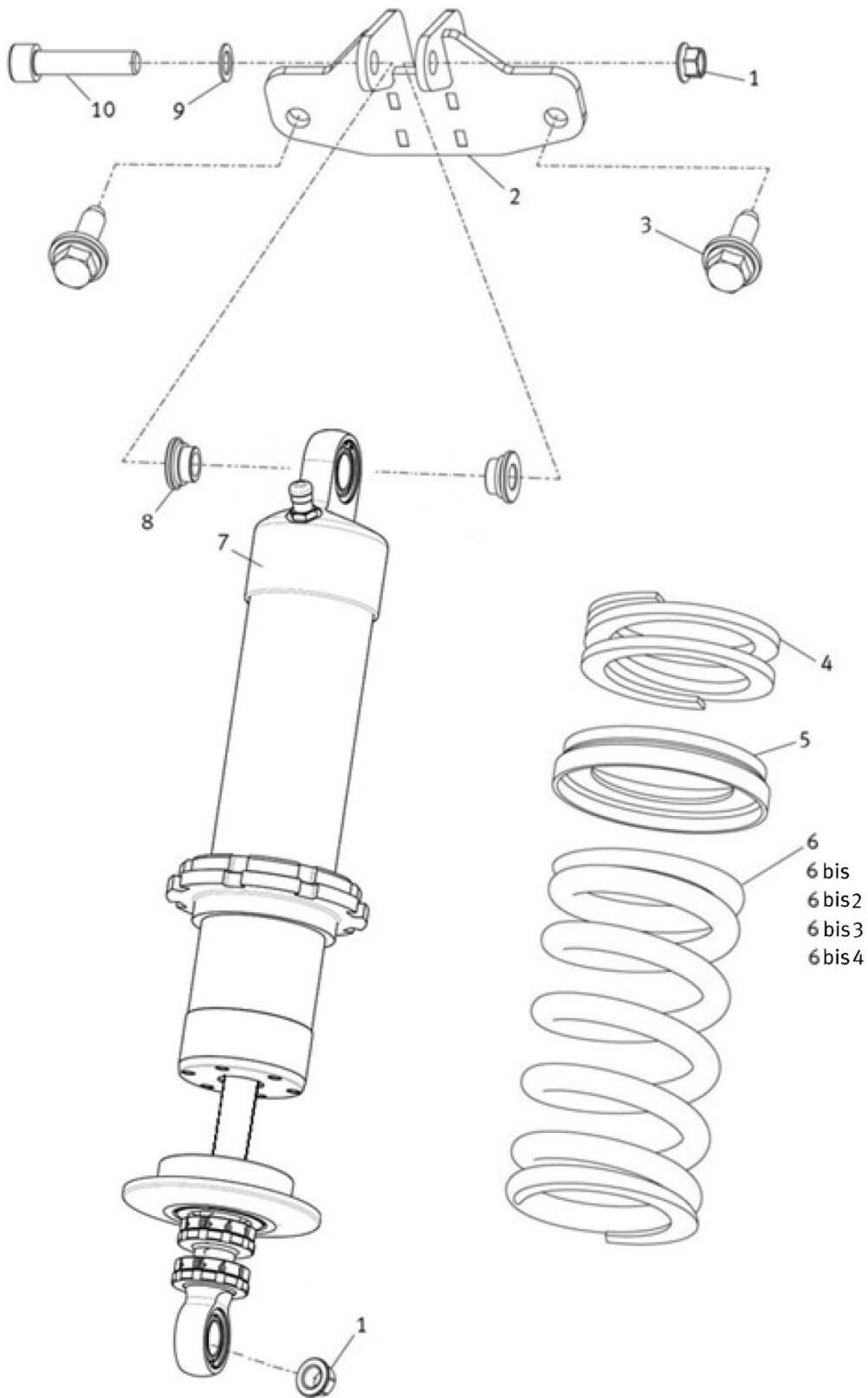
REAR UPRIGHT AND HUB



REAR UPRIGHT AND HUB

Pos.	Reference	Description	Qty.
1	5F6505225	TRAILING LINK	1
1 bis	5F6505226	TRAILING LINK	1
2	VN0001168139	ALLEN BOLT M12X150X80DIN912-12.9	4
3	5F6505278	WHEEL BRACKET SPHERICAL BEARING SPACER	4
4	5F6505431	REAR WHEEL BRACKET	1
4 bis	5F6505432	REAR WHEEL BRACKET	1
5	VN0003221000	AVIATION'S NUT M10	2
6	_3C0505491	DISTANCIAL RING REAR HUB	2
7	5F6601295	WHEEL STUD	10
8	_1K0615601AA	REAR BRAKE DISC 272x10 15"	2
9	_N_10648301	HEX. SOCKET COUNTERSUNK BOLT M6X16	2
10	_WHT000229A	SHOULDERED BOLT M16X1,5X70	2
11	V4PL501609	WHEEL HUB ASSEMBLY WITH WHEELS BOLT	2
12	VN0001162139	ALLEN BOLT M10X70 DIN912 12.9 PAV.	4
13	VN0002341500	COPPER WASHER Ø10X16 DIN7603	4
14	V2MT615407	AP REAR BRAKE CALIPER	2
15	VN0001162139	ALLEN BOLT M10X70 DIN912 12.9 PAV.	4
16	VN0003226800	KM NUT WITH POLYAMIDE RING M35x1,5	2
17	5F6615125A	BRAKING PLATE	2
18	_WHT003858	RPM REAR WHEEL RIGHT SENSOR	1
18 bis	_WHT003859	RPM REAR WHEEL LEFT SENSOR	1
19	_N_01474011	HEXAGONAL HEAD NUT M6X16	2
20	VN0003221200	K-NUT M12	2

REAR SHOCK ABSORBER

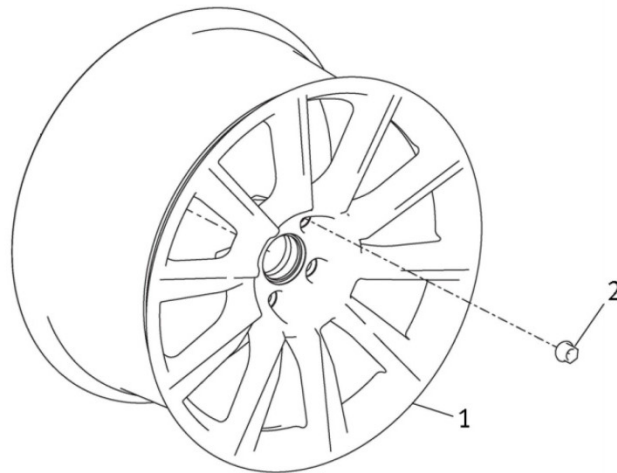


REAR SHOCK ABSORBER

Pos.	Reference	Description	Qty.
1	VN0003221000	AVIATION'S NUT M10	4
2	5F6513353	REAR UPPER SHOCK ABS. FIXATION	2
3	_N_90648402	HEXAGON HEAD BOLT (COMBI) M10X35	4
4	VN0020018100	TENDER SPRING 60-60-002	2
5	V2MT411113C	SPRING SPACER Ø80mm.	2
6	5F6411105	SPRING 170-60-70	2
6 bis	5F6411105A	SPRING 170-60-80	2
6bis2*	8S6411105	SPING 170-60-90	2
6 bis3	8S6411105A	SPING 170-60-100	2
6 bis4	8S6411105B	SPING 170-60-110	2
7	5F6513025B	REAR SHOCK ABSORBER	2
8	V3FL505179	SACHS REAR DAMPER UPPER SPACER	4
9	VN0002150700	PRESSED TYPE WASHER Ø10,5X16	2
10	VN0001161639	ALLEN BOLT M10X150X45 DIN912 12,9 PAV.	2

* SERIAL SPRING

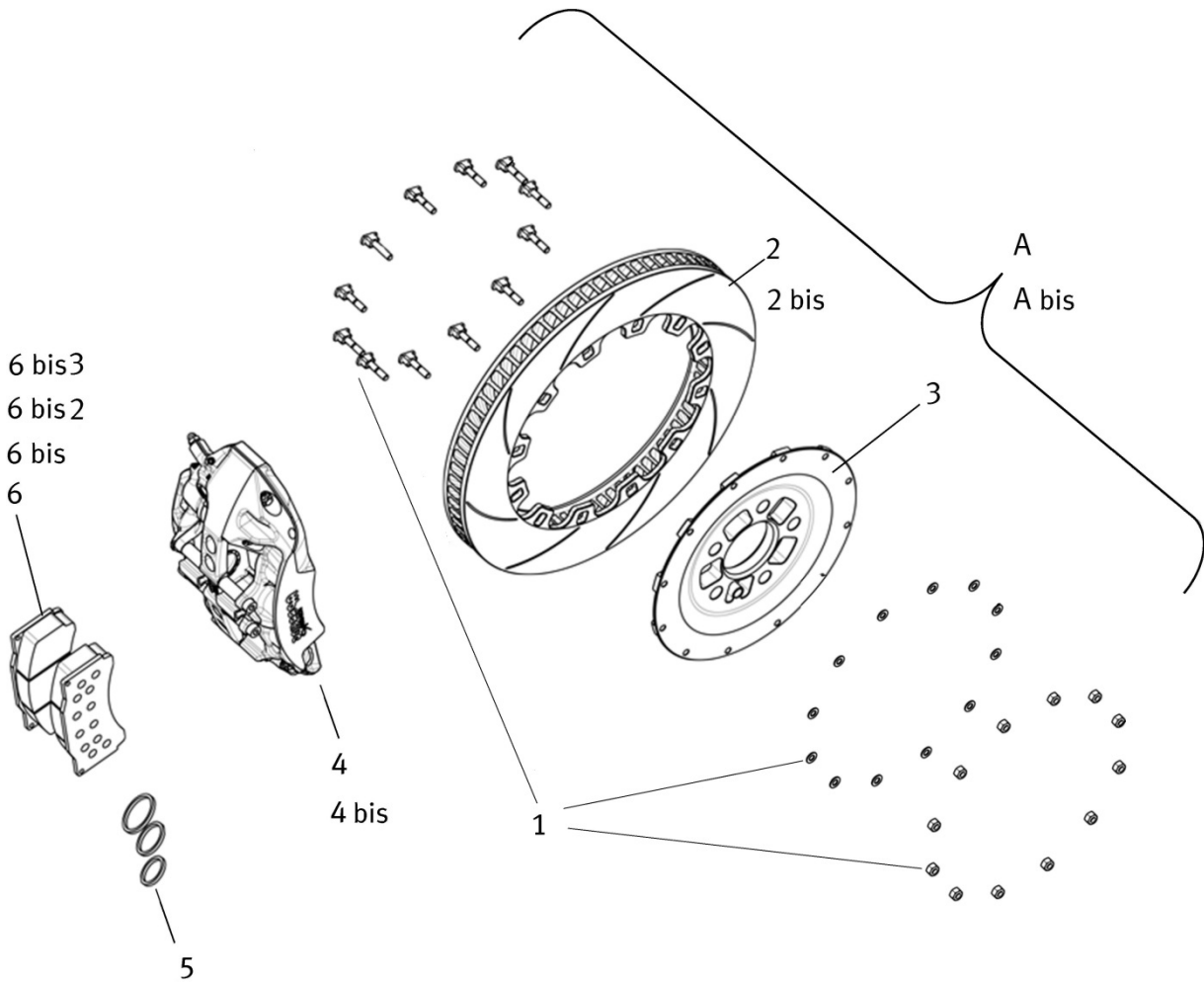
WHEEL & TYRE



WHEEL & TYRE

Pos.	Reference	Description	Qty.
1	V3FL601025	RIM 18" x 10" ET36 -SEAT SPORT-	4
2	V131407150	WHEEL NUT M14x1,5	20

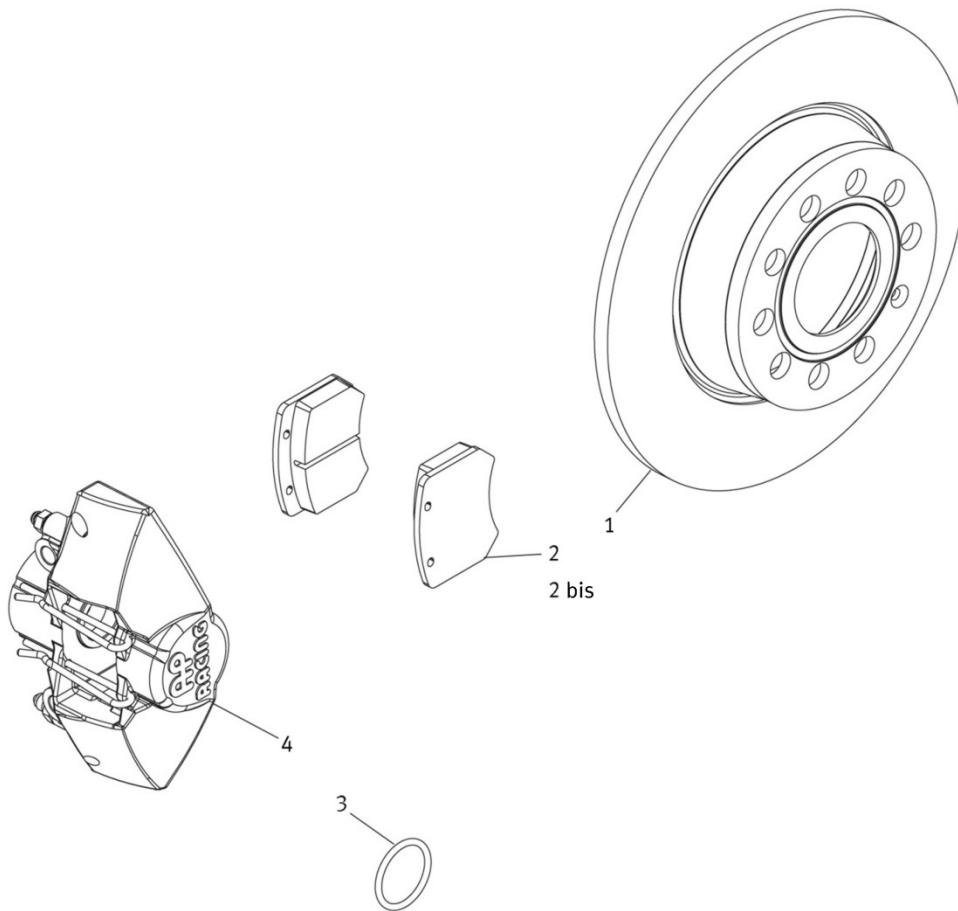
FRONT BRAKE



FRONT BRAKE

Pos.	Reference	Description	Qty.
A	5F6615297C	COMPLETE LEFT FRONT BRAKE DISC Ø378X34	1
A bis	5F6615298C	COMPLETE RIGHT FRONT BRAKE DISC Ø378X34	1
1	8S6614339	SET OF BOBINS FOR PAGID DISC (L)	1
2	8S6615301A	FRONT BRAKE DISC LEFT	1
2_bis	8S6615302A	FRONT BRAKE DISC RIGHT	1
3	8S6615329	BRAKE HAT	2
4	5F6615105A	BRAKE CALIPER FRONT LEFT (Z)	1
4 bis	5F6615106A	BRAKE CALIPER FRONT RIGHT (Z)	1
5	5F6698471	GASKETS OF REPAIR	1
6	5F6615115B	FRONT BRAKE PADS PAGID RST1 – SPRINT	2
6 bis	5F6615115	FRONT BRAKE PADS PAGID RST3 – SPRINT	2
6 bis2	5F6615115C	FRONT BRAKE PADS PAGID RSL1 – ENDURANCE	2
6 bis3	5F6615115A	FRONT BRAKE PADS PAGID RSL2 – ENDURANCE	2
N/D	5F6615119	HEAT ISOLATION PLATE	1

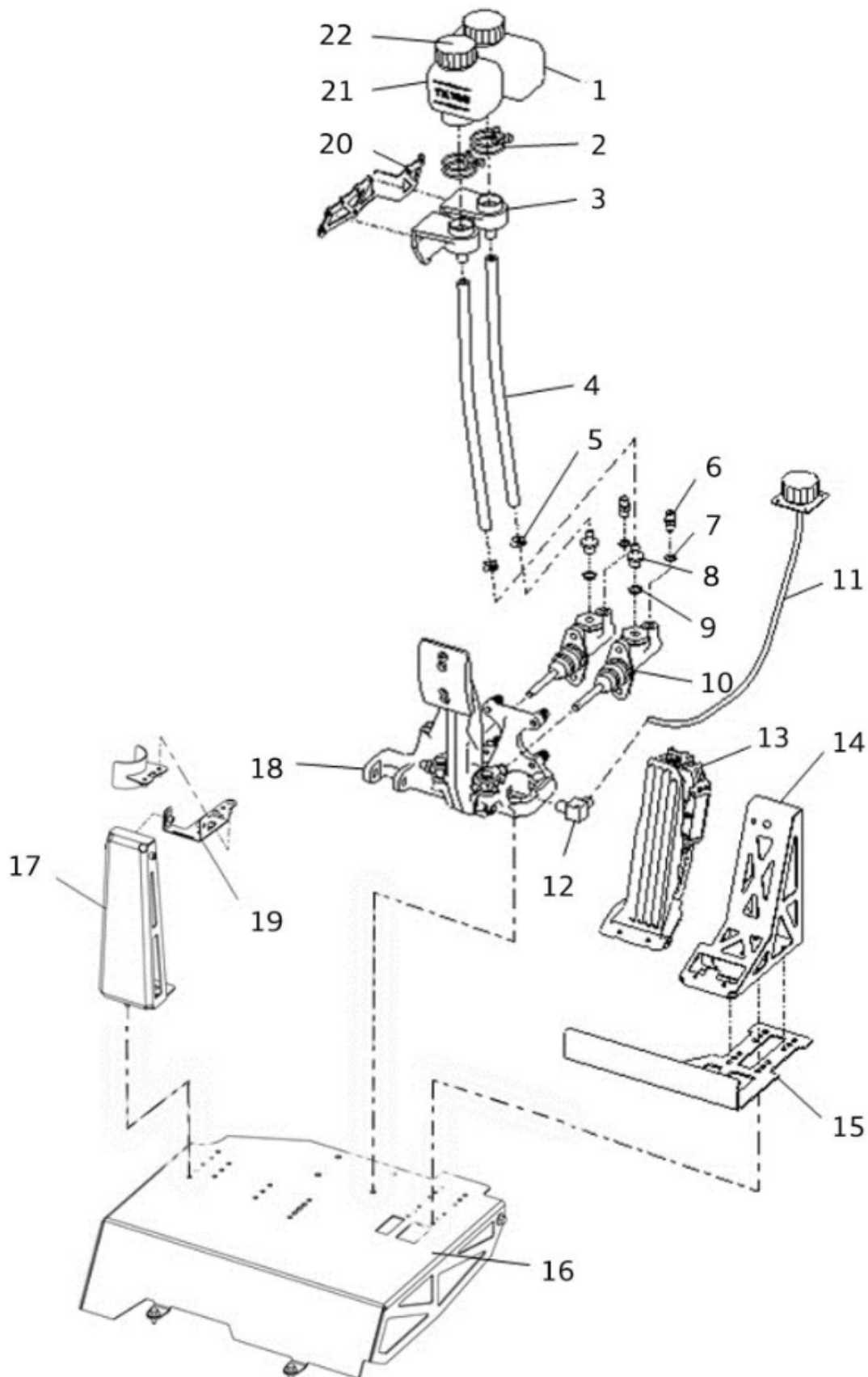
REAR BRAKE



REAR BRAKE

Pos.	Reference	Description	Qty.
1	_1K0615601AA	REAR BRAKE DISC 272x10 15"	2
2	5F6615415	REAR BRAKE PADS RS44 - SPRINT	2
2 bis	5F6615415C	REAR BRAKE PADS RSL29 - ENDURANCE	2
3	V131614712	BRAKE CALIPER REPAIR KIT	2
4	V2MT615407	AP REAR BRAKE CALIPER	2

PEDALS AND PUMPS

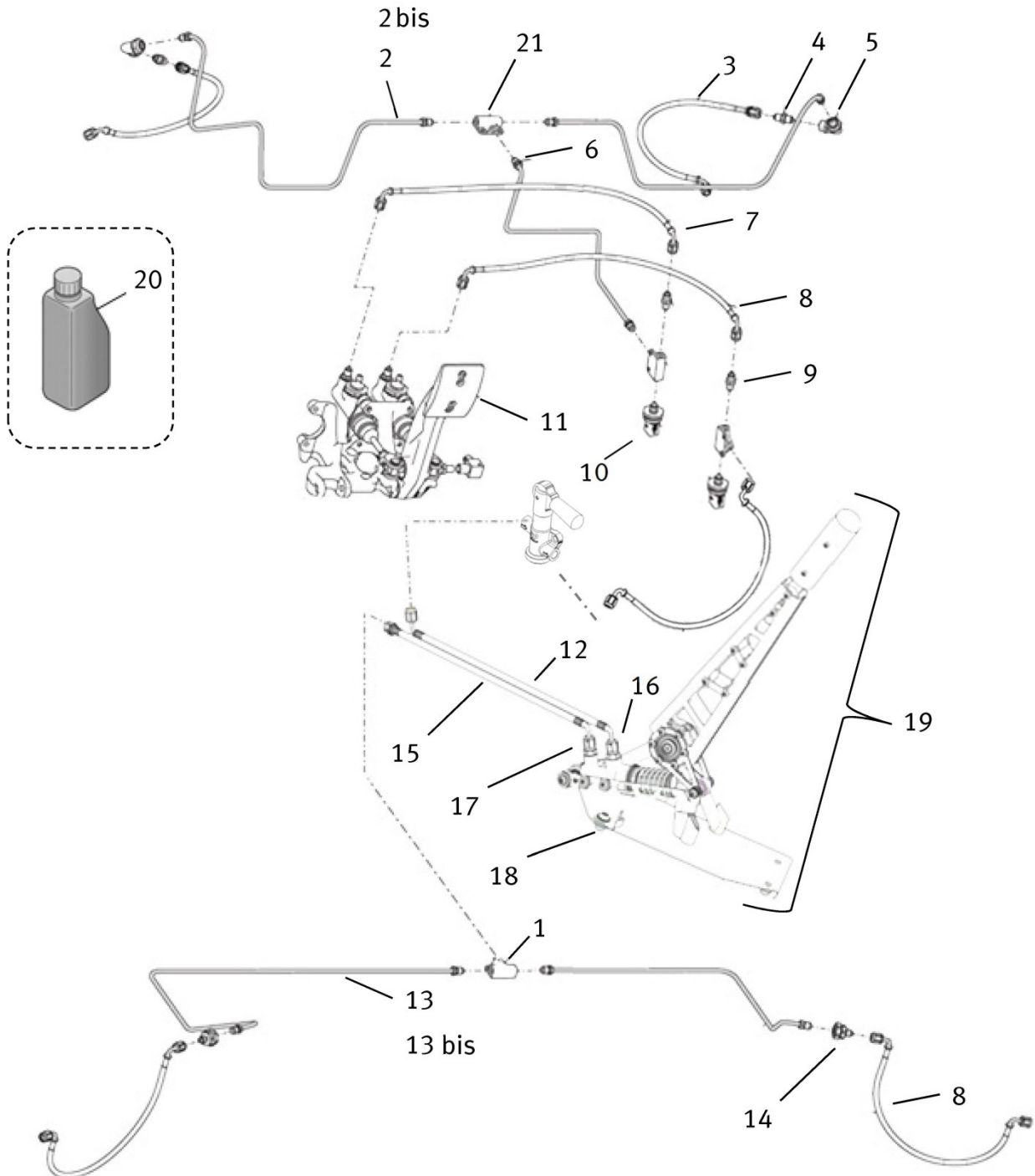


PEDALS AND PUMPS

Pos.	Reference	Description	Qty.
1	V8PS611307A	BRAKE LIQUID TANK SUPPORT (BIG)	1
2	V013617004	BRAKE LIQUID TANK CAP Ø40	2
3	V4PL611319	BRAKE LIQUID TANK SUPPORT (PLASTIC)	2
4	VN0000082570	INTERIOR FLEXIBLE PIPE	2
5	VN0004008200	CLAMP 9X16	2
6	VN0005143500	MALE-MALE ADAPTOR 03D	2
7	VN0002341500	COPPER WASHER Ø10X16X2 mm DIN7603	2
8	V3FL614213	BRAKE PUMP ADAPTER PUSH-ON	2
9	VN0002341600	COPPER WASHER Ø10X16 DIN7603	2
10	V3FL614165B	BRAKE PUMP AP 16.8 MM (PRT100)	1
10 bis	V3FL614165C	BRAKE PUMP AP 17.8 MM (PRT100)	1
10bis2*	V3FL614165D	BRAKE PUMP AP 19.1 MM (PRT100)	1
10bis3	V3FL614165E	BRAKE PUMP AP 20.6 MM (PRT100)	1
10bis4*	V3FL614165F	BRAKE PUMP AP 22.2 MM (PRT100)	1
10bis5	V3FL614165G	BRAKE PUMP AP 23.8 MM (PRT100)	1
11	V3FL612191	BRAKE REGULATOR WIRING	1
12	V3FL721597	BRAKE CABLE ADAPTOR 90°	1
13	5F6721503	THROTTLE PEDAL	1
14	5F6721532	BRACKET, STOP -15°- (G)	1
15	V3FL864787A	FOOT STOPPER	1
16	5F6721221	SUPPORT -FOOTREST 2016-	1
17	5F6864415B	LEFT FOOTREST BASE -LR-	1
18	V3FL721060	BRAKE PEDAL ASSEMBLY	1
19	5F6721096B	LEFT FOOTREST REGULATION SUPPORT -LR-	1
20	V3FL616141A	STEEL SUPPORT BRAKE LIQUID TANK	1
21	V4PL611307	BRAKE LIQUID TANK SUPPORT (MEDIUM)	1
22	V013617003	BRAKE LIQUID TANK CAP	2

* SERIAL BRAKE PUMP

BRAKE CIRCUIT

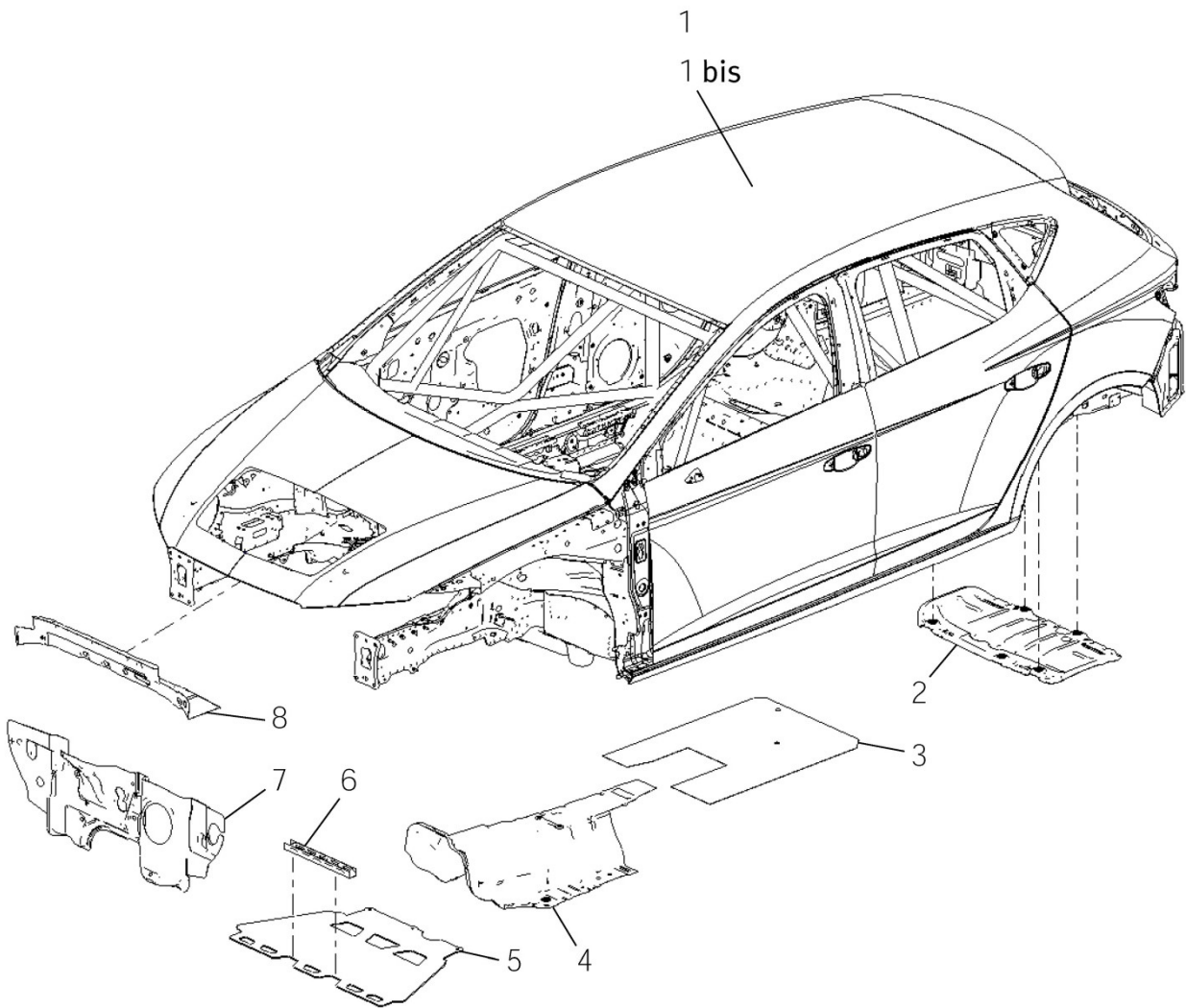


BRAKE CIRCUIT

Pos.	Reference	Description	Qty.
1	VN0005185400	T RACCORD M10X100	3
2	5f6614723	BRAKE LINE	1
2 bis	5f6614724	BRAKE LINE	1
3	5F6611701A	FRONT BRAKE HOSE	1
4	VN0005143500	MALE-MALE ADAPTOR 03D-03D ZN.	2
5	5F6611729	ALU. ELBOW 90°	2
6	V3FL614725	FROM T TO T SENSOR BRAKE HOSE	1
7	V3FL611707	FRONT OUTPUT BRAKE PUMP PIPE TO "T"	1
8	V8PS611775	SLEEVE FOR BRAKES	3
9	_6KL611315	MALE-MALE ADAPTOR M10X1 -03D STEEL	2
10	_06J906051C	PRESSURE SENSOR 140 bars	2
11	V3FL721060	BRAKE PEDAL ASSEMBLY	1
12	5F6711983A	PRESSURE HOSE -BRAKE T TO PUMP-	1
13	V3FL614729	LEFT REAR BRAKE HOSE	1
13 bis	V3FL614730	RIGHT REAR BRAKE HOSE	1
14	VN0005174800	CABLE SLEEVE (M/H) 03D-M10X1	2
15	5F6711984	PRESSURE HOSE -PUMP TO REAR BRAKE T-	1
16	VN0005172600	ADAPTER (M/M) 04D-03D	1
17	VN0005175700	ADAPTER MALE 03D - MALE 03D	1
18	5F6611021B	HANDBRAKE PUMP Ø15 (AP)	1
19*	5F6711014	HANDBRAKE ASSY (Z) WO/ BRAKE HOSE	1
20	VN0000062400	BRAKE FLUID CASTROL	1
21	VN0005110300	X DISTRIBUTOR	1

* INCLUDES PART 18

BODY

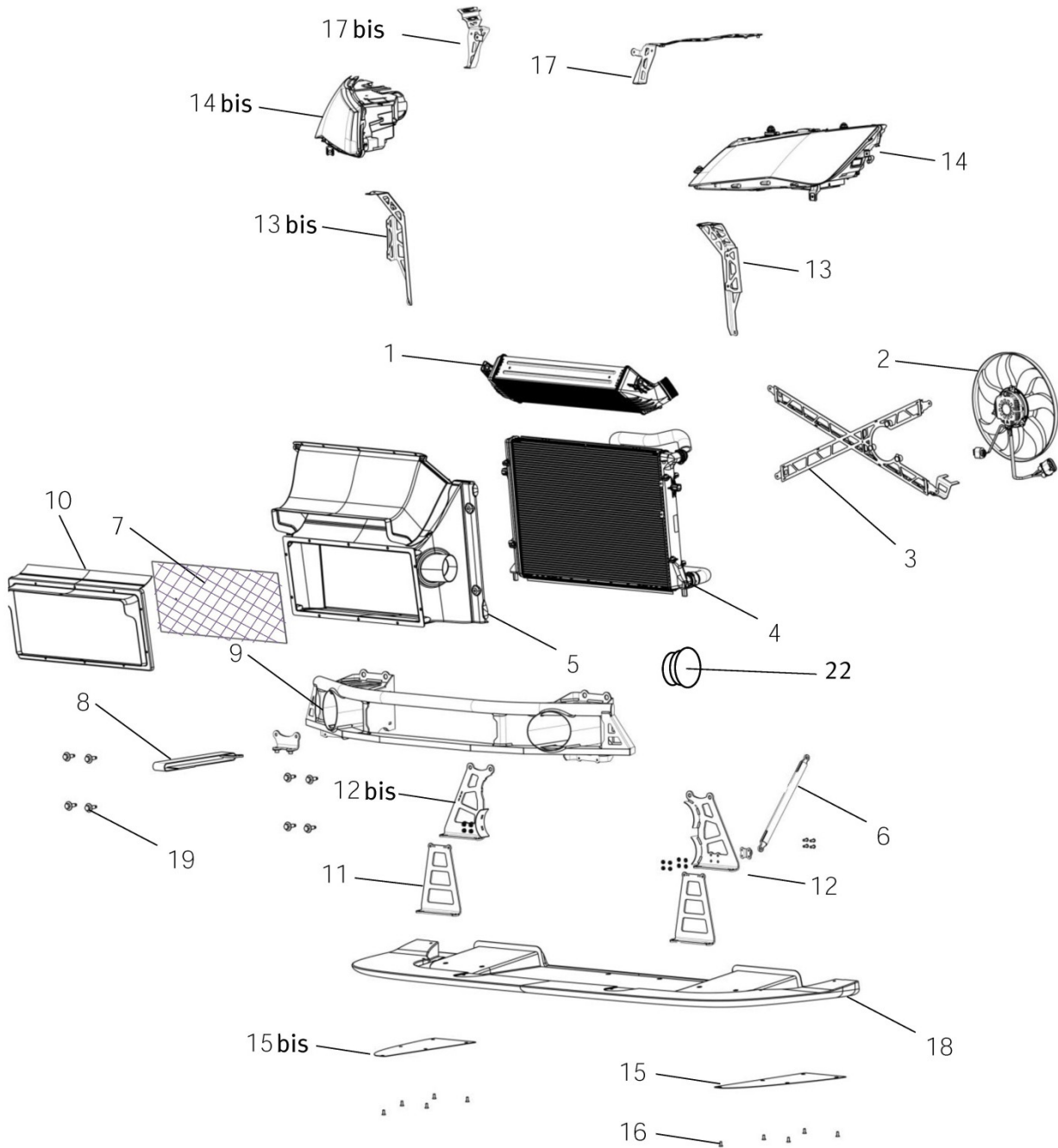


BODY

Pos.	Reference	Description	Qty.
1*	5F6800411	BODY PAINTED	1
1_bis*	5F6800401KTL	BODY SHELL w/ROLLBAR AND DOORS	1
2	_5Q0825701C	UNDERBODY TRIM	1
3	5F6825662	HEAT SHIELD FOR TUNNEL	1
4	V3FL825661	HEAT SHIELD FOR TUNNEL	1
5	V3FL825237	OIL SUMP PROTECTION	1
6	V3FL825291B	OIL SUMP PROTECTION SUPPORT	1
7	_5Q1863353E	PROTECTION FOR WATER BOX	1
8	_5F0863993	SOUND ABSORBER FOR WATER BOX	1

* PLEASE CONTACT SEAT SPORT

FRONTEND

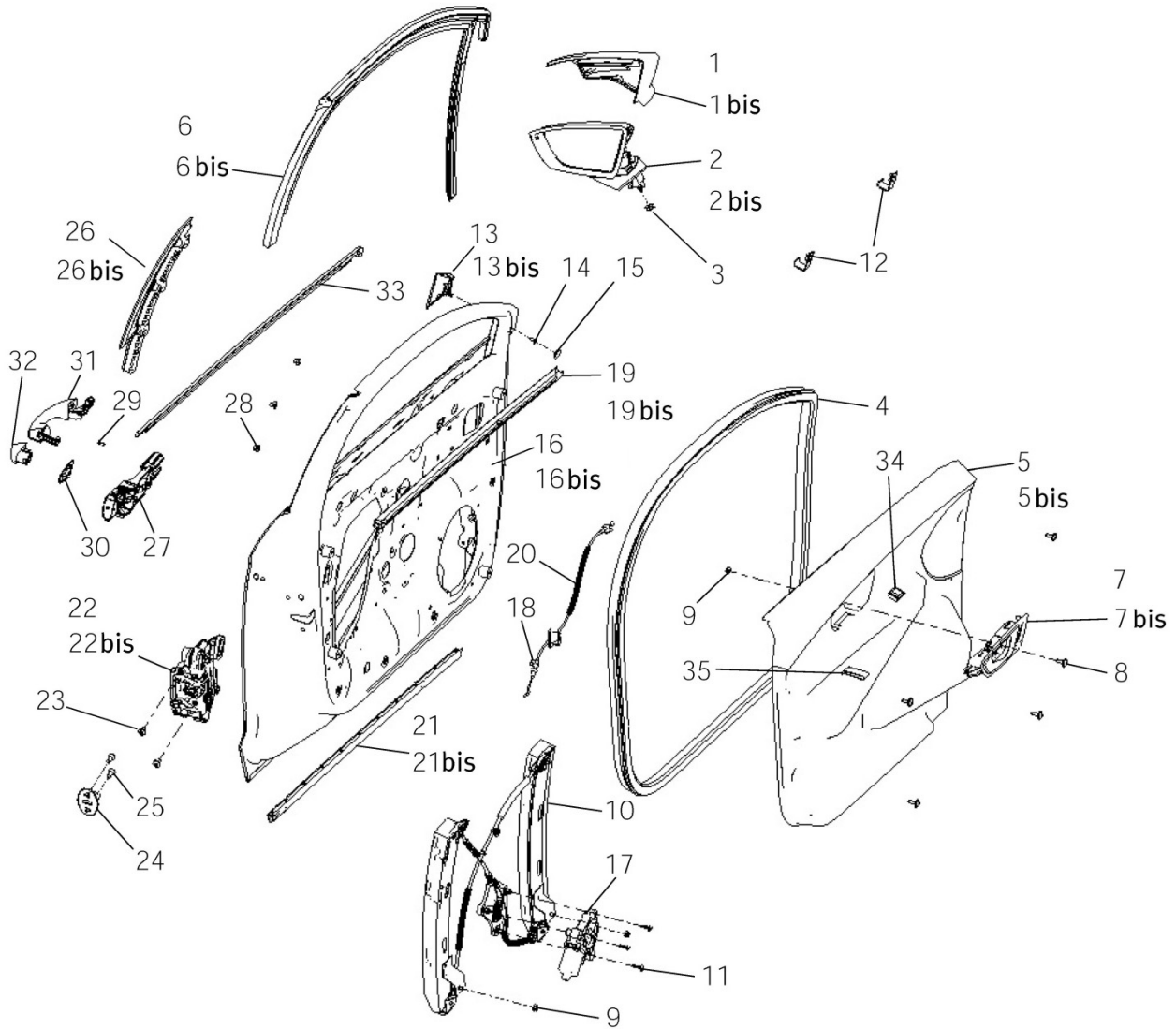


FRONTEND

Pos.	Reference	Description	Qty.
A*	5F6800723	FRONTEND PRE-ASSEMBLY -2016-	1
1	5F6145803A	INTERCOOLER	1
2	_1K0959455DT	RADIATOR FAN Ø360MM 300W	1
3	5F6121207A	RADIATOR FAN (G)	1
4	5F6121251	RADIATOR	1
5	5F6805594	PLASTIC FRONT-END (G)	1
6	5F6807182	CLIP ANGLE	2
7	5F6853667	RADIATOR GRILLE	1
8	5F6803611	TOWING EYE (Z)	1
9	5F6807109B	BUMPER BAR, FRONT	1
10	5F6805598	PLASTIC FRONT-END (G)	1
11	5F6807203C	STRUT	2
12	5F6807201	STRUT (G)	1
12 bis	5F6807202	STRUT (G)	1
13	5F6805323B	HALTER (G) -RADIATOR-	1
13 bis	5F6805324B	HALTER (G) -RADIATOR-	1
14	5F6941007	LEFT LED HEADLIGHT	1
14 bis	5F6941008	RIGHT LED HEADLIGHT	1
15	5F6807531	LOWER SPLITTER PROTECTION	1
15 bis	5F6807532	LOWER SPLITTER PROTECTION	1
16	VN0001819439	ALLEN BOLT PAV.12.9 M6X16 DIN7991	10
17	5F6805605B	HEADLAMP MOUNTING (G)	1
17 bis	5F6805606B	HEADLAMP MOUNTING (G)	1
18	8S6807061	SPLITTER	1
19	_N_91196402	HEXAGON BOLT M10X35	8
20	_N_10098811	HEXAGON SCREW WITH FLANGE M6x16	8
22	VN0008146700	BLACK PLUG D90	1

* INCLUDES REFERENCES 2,3,4,5 ,7,10 & 13

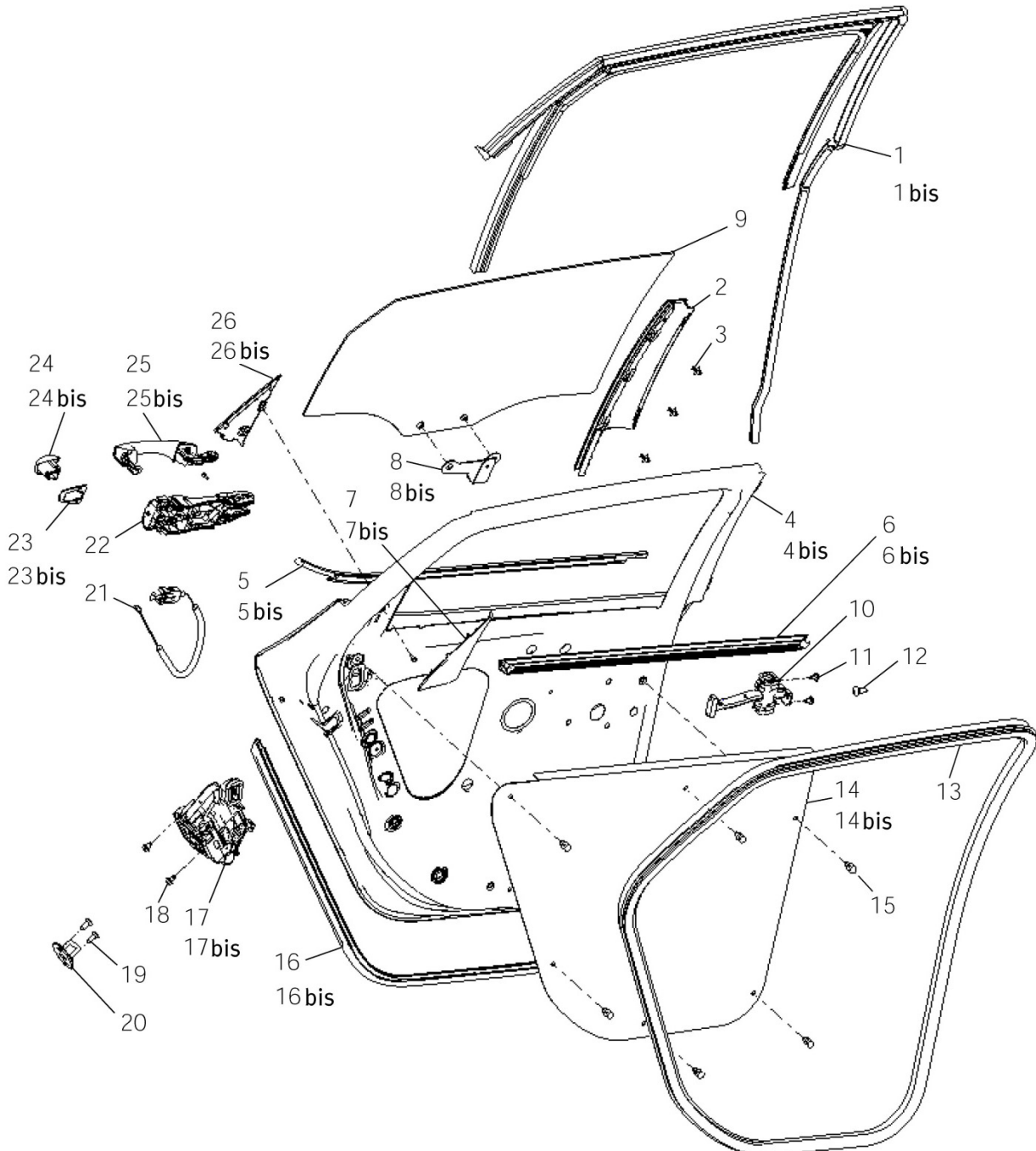
FRONT DOORS



FRONT DOORS

Pos.	Reference	Description	Qty.
1	_5F0857537BGRU	MIRROR CAP (LEFT)	1
1 bis	_5F0857538BGRU	MIRROR CAP (RIGHT)	1
2	_5F1857501AC9B9	EXTERIOR MIRROR	1
2 bis	_5F1857502AC9B9	EXTERIOR MIRROR	1
3	_N_10435508	COLLAR NUT	2
4	_5F48673659B9	DOOR SEAL	2
5	V3FL867013	DOOR PANEL TRIM ASSEMBLY	1
5 bis	V3FL867014	DOOR PANEL TRIM ASSEMBLY	1
6	_5F4837431G5AP	WINDOW GUIDE	1
6 bis	_5F4837432G5AP	WINDOW GUIDE	1
7	_5F2837113041	INNER ACTUATOR (LEFT)	1
7 bis	_5F1837114041	INNER ACTUATOR (LEFT)	1
8	_N_10196401	HEXAGONAL w/WASHER M6X22	10
9	_N_01508210	HEXAGON COLLAR NUT M6	4
10	_5F4837461D	WINDOW REGULATOR MOTOR	1
11	_8Z0837691C	REGULATION MOTOR FIXATION BOLT	3
12	V3FL845477	FRONT DOOR WINDOW SUPPORT	2
13	_5F0837637D9B9	TRIM	1
13 bis	_5F0837638D9B9	TRIM	1
14	_N_90986802	HEXAGON SOCKET HEAD PANEL BOLT 4.2 X 13	2
15	_3B0837111B41	COVER CAP Ø18x4	2
16	V3FL831051KTL	FRONT DOOR WITH HINGES	1
16 bis	V3FL831052KTL	FRONT DOOR WITH HINGES	1
17	_5Q0959801B	LEFT WINDOW REGULATOR MOTOR	1
18	_5F4837085B	BOWDEN CABLE	2
19	_5F4837471B	WINDOW APERTURE SEAL	1
19 bis	_5F4837472B	WINDOW APERTURE SEAL	1
20	_5N0837017E	DOOR LOCK BOWDEN CABLE	2
21	_5F48376519B9	DOOR SEAL (OUTER)	1
21 bis	_5F48376529B9	DOOR SEAL (OUTER)	1
22	_5K1837015D	DOOR LOCK	1
22 bis	_5K1837016D	DOOR LOCK	1
23	_N_90800503	BOLT M8X14	4
24	_3C0837767B	SPRING BOLT	2
25	_N_91017402	COUNTERSUNK MULT. SOCKET HEAD BOLT	4
26	_5F4837901G041	TRIM FOR DOOR WINDOW FRAME	1
26 bis	_5F4837902G041	TRIM FOR DOOR WINDOW FRAME	1
27	_5N0839885H	MOUNTING BAR PASSENGER SIDE	2
28	_6R0839829A	SPREADER RIVET	6
29	_N_91176801	FIX. BOLT MOUNTING BAR TP5X10	2
30	_5G0837087B	LEFT HANDLE BASE	2
31	_5G0837205NGRU	LEFT DOOR HANDLE	1
31 bis	_5G0837206GRU	RIGHT DOOR HANDLE	1
32	_5G0839167GRU	BLIND HANDLE COVER	1
32 bis	_5G0839168GRU	BLIND HANDLE COVER	1
33	_5F4837477A5AP	WINDOW APERTURE SEAL	1
33 bis	_5F4837478A5AP	WINDOW APERTURE SEAL	1
34	8S6971763	CONNECTING CABLE -WINDOW SWITCH WIRING-	1
35	VMPP00210400	YELLOW GIRTH (WIDTH=25MM)	2

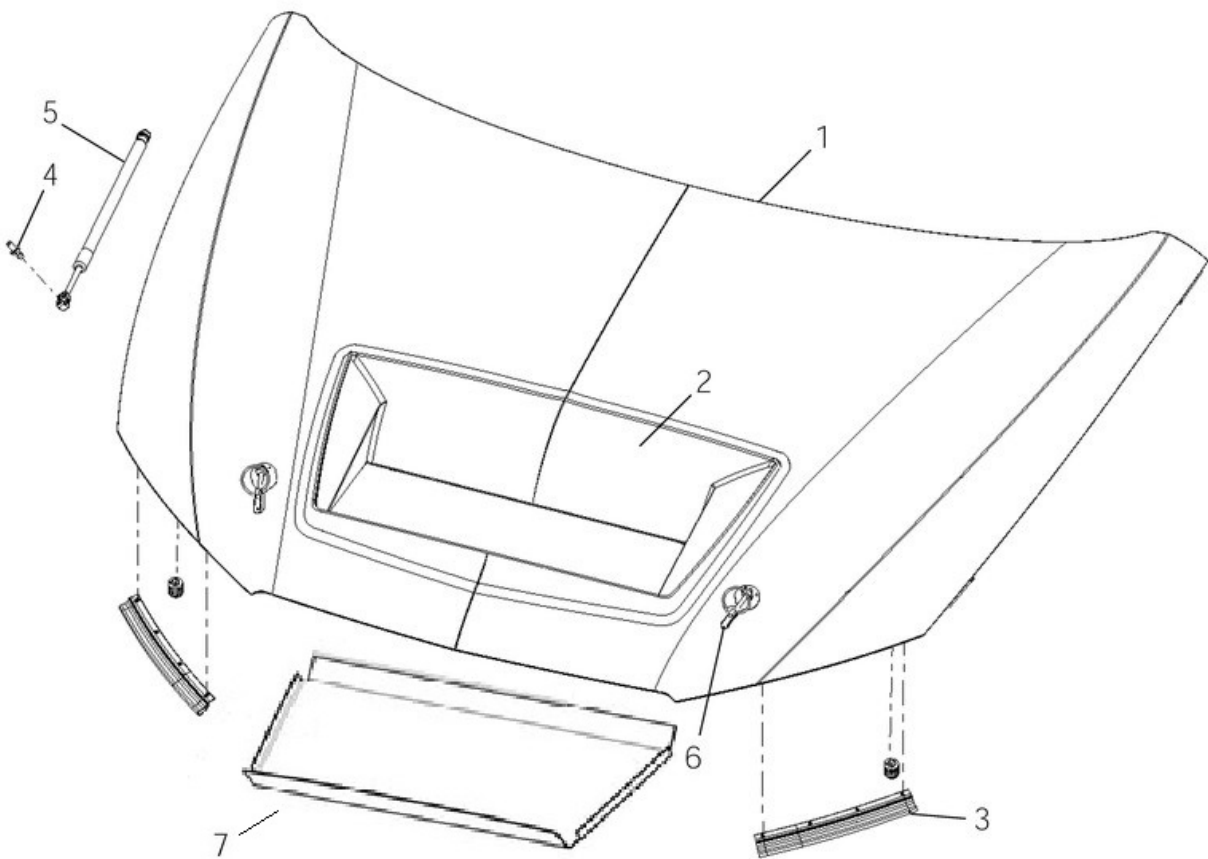
REAR DOORS



REAR DOORS

Pos.	Reference	Description	Qty.
1	_5F4839431M5AP	WINDOW GUIDE	1
1 bis	_5F4839432M5AP	WINDOW GUIDE	1
2	_5F4839901F041	TRIM FOR DOOR WINDOW FRAME	1
3	_6R0839829A	SPREADER RIVET	6
4	V3FL833051KTL	FRONT DOOR WITH HINGES	1
4 bis	V3FL833052KTL	FRONT DOOR WITH HINGES	1
5	_5F4839477C5AP	WINDOW APERTURE SEAL (LEFT OUTER)	1
5 bis	_5F4839478C5AP	WINDOW APERTURE SEAL (RIGHT OUTER)	1
6	_5F4839471A	WINDOW APERTURE SEAL (LEFT INNER)	1
6 bis	_5F4839472A	WINDOW APERTURE SEAL (RIGHT INNER)	1
7	_5F4839971VS9	TRIM FOR DOOR WINDOW FRAME (LEFT INNER)	1
7 bis	_5F4839972VS9	TRIM FOR DOOR WINDOW FRAME (RIGHT INNER)	1
8	V3FL845473	REAR WINDOW GLASS SUPPORT ASSY.	1
8 bis	V3FL845474	REAR WINDOW GLASS SUPPORT ASSY.	1
9	V3FL845025	DOOR WINDOW (LEFT REAR)	1
10	_5F4839203A	DOOR CATCH	2
11	_N__10747401	HEXAGON SOCKET FLAT HEAD BOLT M6X12	4
12	_WHT003497	HEXAGON SOCKET OVAL HEAD BOLT M8X23	2
13	_5F48673679B9	DOOR SEAL	2
14	V3FL867211	DOOR PANEL TRIM ASSEMBLY	1
14 bis	V3FL867212	DOOR PANEL TRIM ASSEMBLY	1
15	_6R0839829A	SPREADER RIVET	12
16	_5F48396999B9	DOOR SEAL (OUTER)	1
16 bis	_5F48397009B9	DOOR SEAL (OUTER)	1
17	_5K4839015Q	DOOR LOCK (LEFT REAR)	1
17 bis	_5K4839016Q	DOOR LOCK (RIGHT REAR)	1
18	_N__90800503	BOLT M8X14	4
19	_N__91017402	COUNTERSUNK MULT. SOCKET HEAD BOLT	4
20	_3C0837767B	SPRING BOLT	2
21	_5F4839017A	BOWDEN CABLE	2
22	_5N0839885H	MOUNTING BAR PASSENGER SIDE	2
23	_5G0837087B	LEFT HANDLE BASE	1
23 bis	_5G0837088B	RIGHT HANDLE BASE	1
24	_5G0839167GRU	BLIND HANDLE COVER	1
24 bis	_5G0839168GRU	BLIND HANDLE COVER	1
25	_5G0837205NGRU	LEFT DOOR HANDLE	1
25 bis	_5G0837206GRU	RIGHT DOOR HANDLE	1
26	_5F4839637C041	TRIM (LEFT OUTER)	1
26 bis	_5F4839638C041	TRIM (RIGHT OUTER)	1

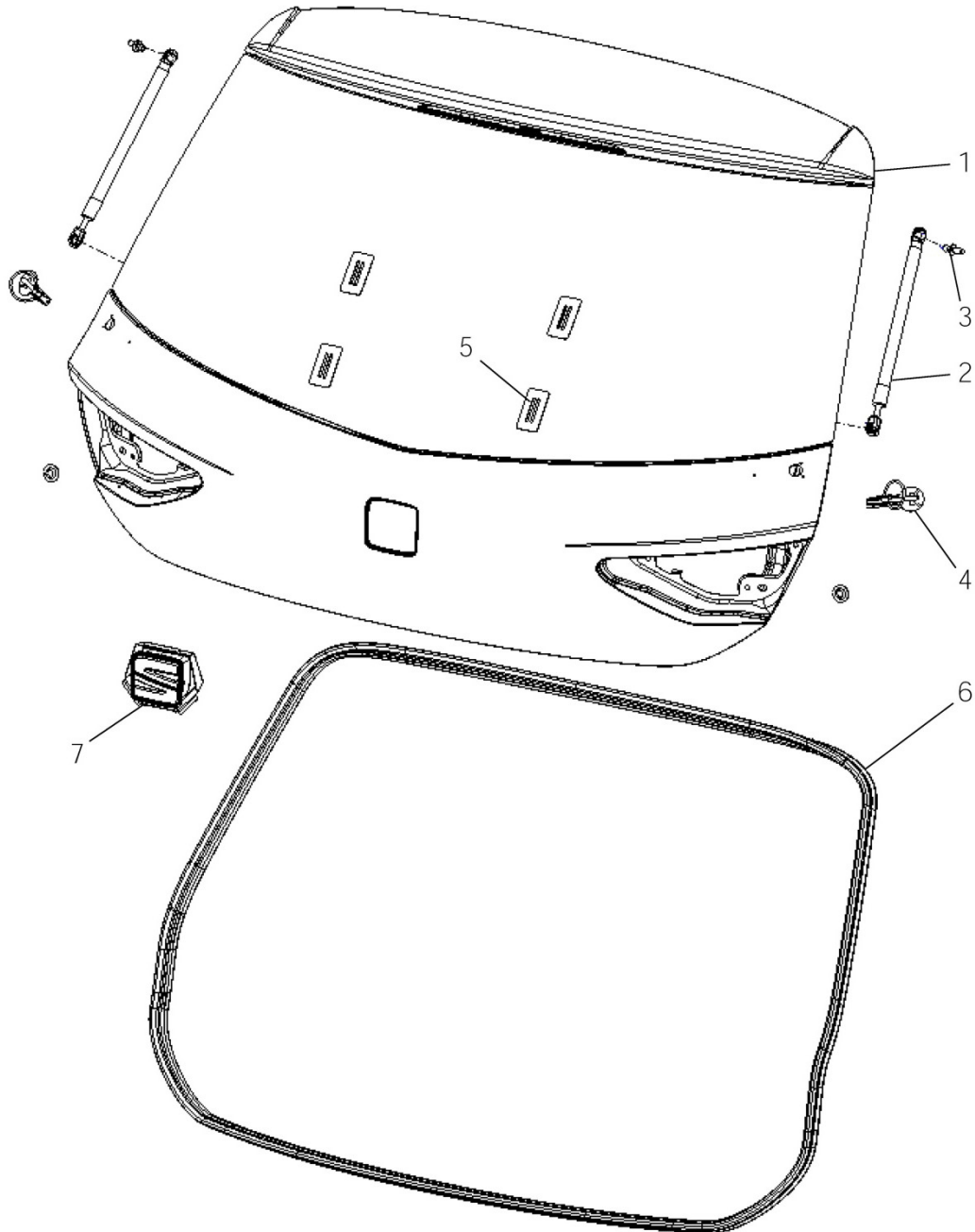
BONNET



BONNET

Pos.	Reference	Description	Qty.
1	5F6823021KTL	BONNET W/MODIFICATED LID HINGES	1
2	5F6805941	AIR DUCT ELEMENT (COMPOSITE)	1
3	_5F0823707A5AP	HOOD SEAL	2
4	_WHT006580	LOWER BALL STUD	1
5	_5G0823359	BONNET GAS DAMPER	1
6	V2LL823025A	BONNET SECURITY LOCK	1
7	5F6823087	BONNET MESH	1
N/D	V2MT906250	SWITCH PROTECTOR	1
N/D2	VN0008127200	BATTERY DISCONNECT SWITCH	1

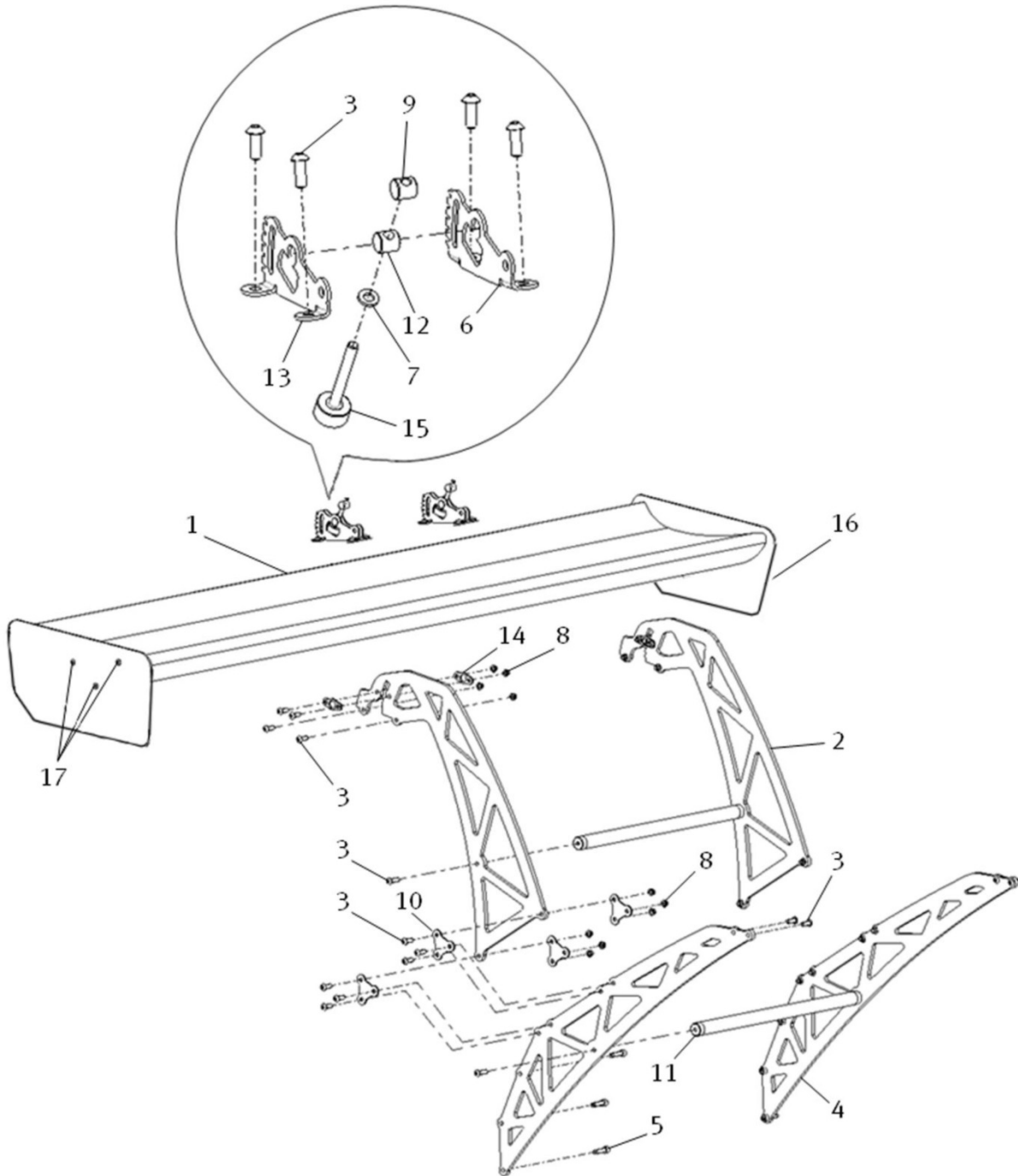
BOOT LID



BOOT LID

Pos.	Reference	Description	Qty.
1	V3FL827023KTL	CUSTOM REAR DOOR w/ SPOILER SUUPTS	1
2	_5F4827550A	GAS FILLED STRUT	2
3	_WHT006580	LOWER BALL STUD	2
4	V2LL823025A	BONNET SECURITY LOCK	1
5	V3FL845068A	REAR WINDSCREEN SPOILER SEAL	4
6	_5F4827705F9B9	GASKET FOR FLAP	1
7	_5F0827565CRYP	BOOT LID HANDLE	1

REAR WING

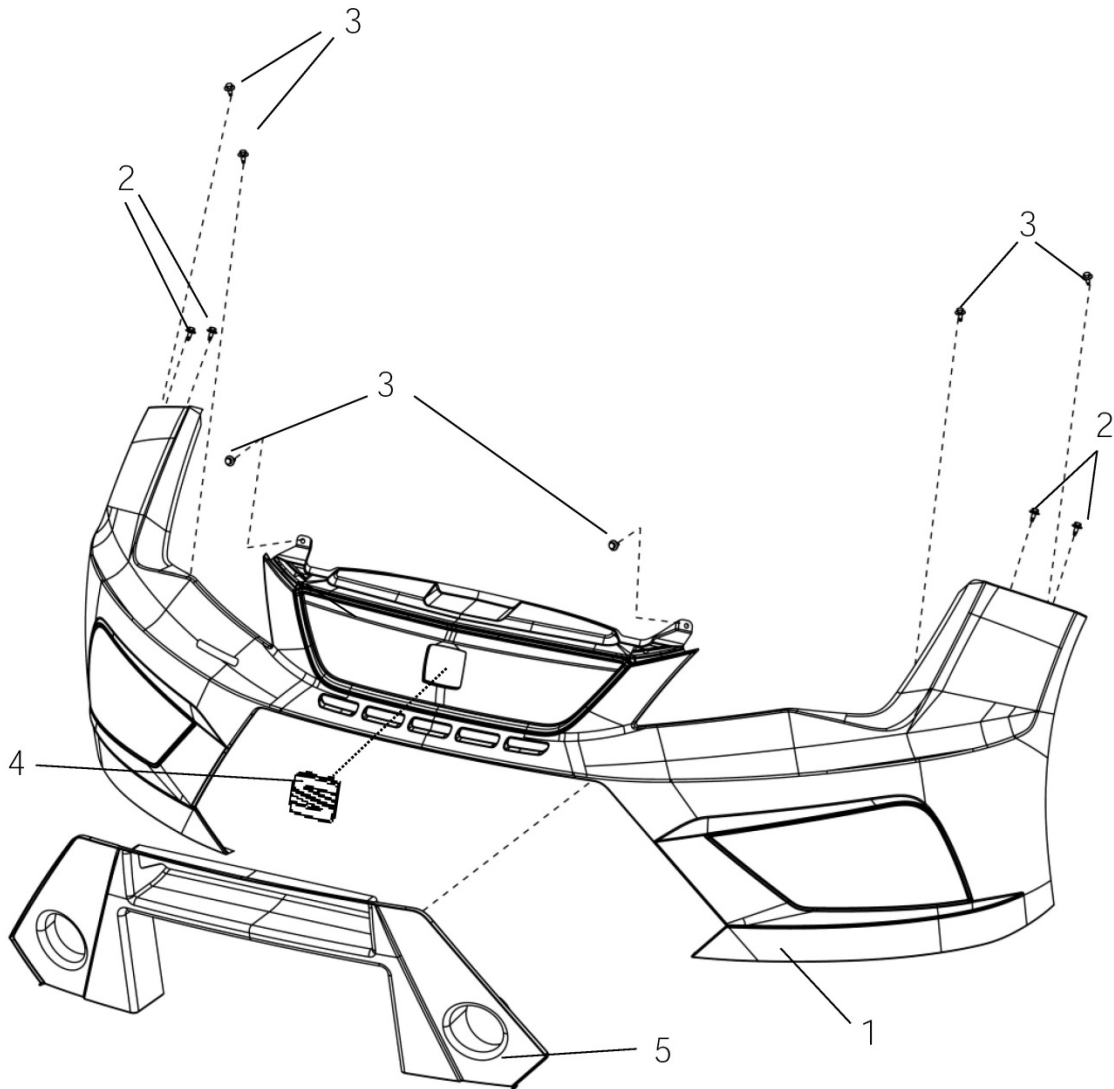


REAR WING

Pos.	Reference	Description	Qty.
1*	5F6827936A	REAR SPOILER	1
2	V3FL827945	UPPER SUPPORT REAR WING	2
3	5F6827969A	ALLEN BOLT ZN M6X16 BLACK	24
4	V3FL827965	REAR WING CHASSIS SUPPORT	2
5	5F6827969B	ALLEN BOLT ZN M6X20 BLACK	10
6	V3FL827933	REAR WING FIXATION PLATE LEFT	2
7	VN0002000710	FLAT WASHER ZN Ø6 DIN125	2
8	VN0003220400	CADMIUM AVIATION NUT 6C M6	20
9	V3FL827969	REGULATION PIN	2
10	V3FL827961	REAR WING FIXATION PLATE	8
11	5F6827141	SPOILER REINFORCEMENT ASSY.	2
12	V3FL827968	UPPER SUPPORT REAR WING	2
13	V3FL827934	REAR WING FIXATION PLATE RIGHT	2
14	5F6827970A	PIN GUIDE	4
15	V3FL827967	REAR WING REGULATION BOLT ASSY.	2
16	8S6827867B	STOP PLATE -6mm-	2
17	VN0001813586	ALLEN BOLT AV. ZN. 10.9 M4X20DIN7991	6

* INCLUDES REFERENCES 16 & 17

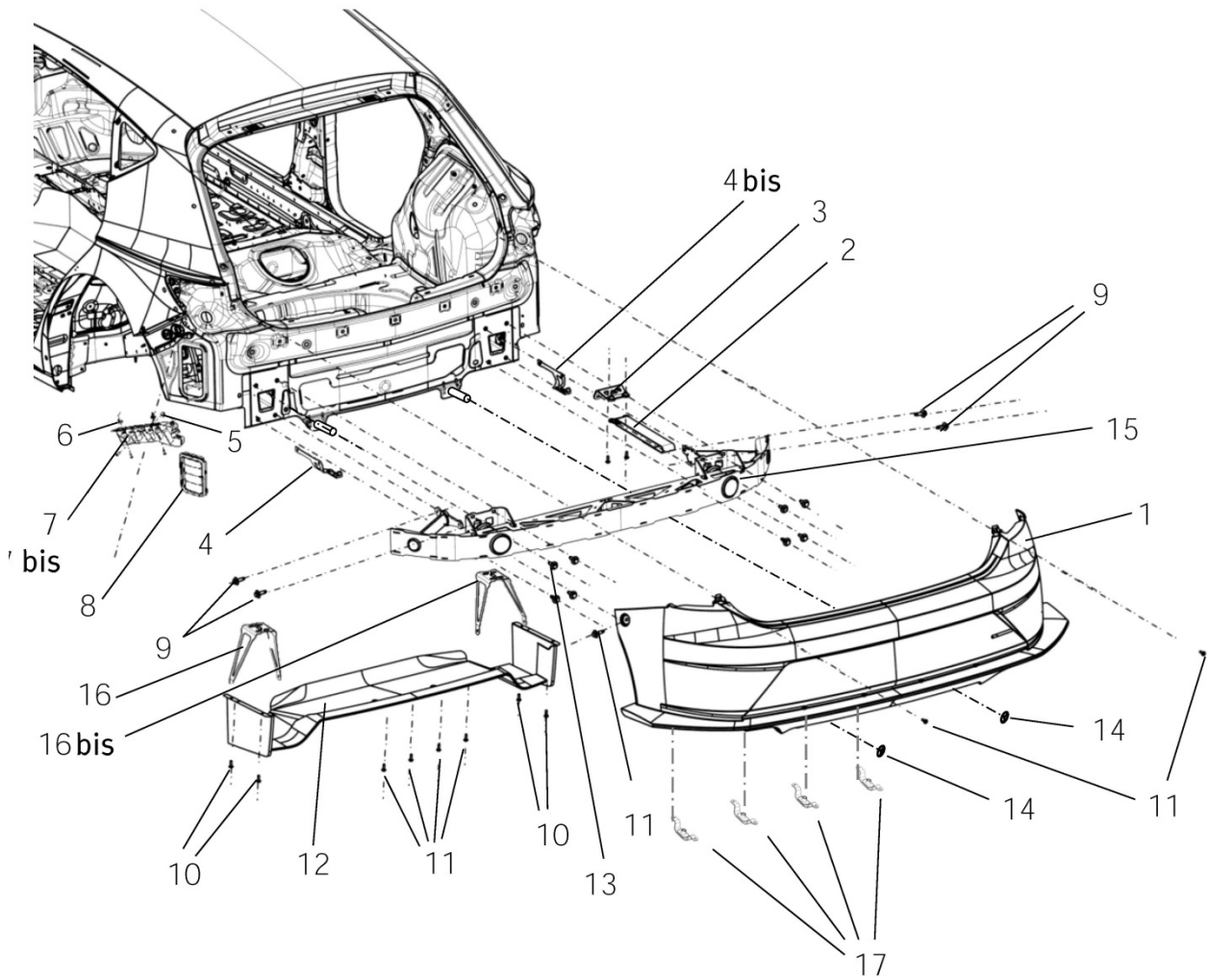
FRONT BUMPER



FRONT BUMPER

Pos.	Reference	Description	Qty.
1	5F6807237GRU	BUMPER COVER	1
2	_N_90785002	HEXALOBULAR SOCKET WITH FLANGE M5X14.5	4
3	_N_10098811	HEXAGON SCREW WITH FLANGE M6x16	6
4	_5F0853679A2ZZ	SEAT EMBLEM	1
5	5F6853651	PLASTIC FRONT-END (G)	1
N/D	5F6071780	FRONT BUMPER ADHESIVES -PRODUC-	1

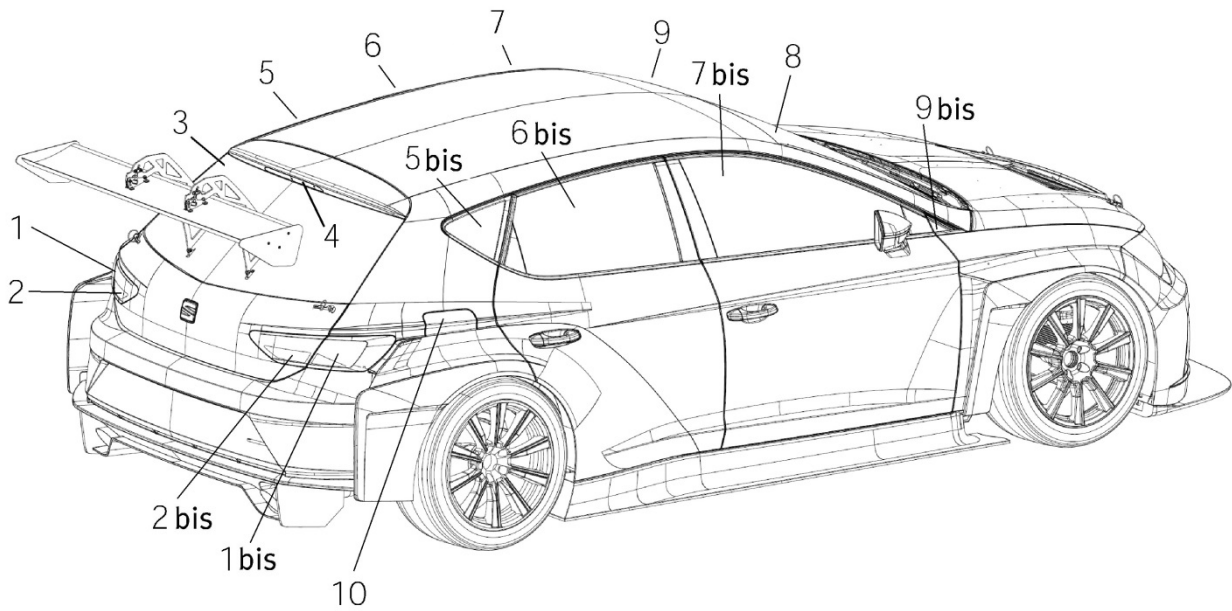
REAR BUMPER



REAR BUMPER

Pos.	Reference	Description	Qty.
1	5F6807511GRU	REAR BUMPER	1
2	5F6803611	TOWING EYE (Z)	1
3	5F6803729A	EXTENSION (G)	1
4	5F6807053	BRACKET (G) -EXHAUST / REAR BUMPER-	1
4 bis	5F6807054	BRACKET (G) -EXHAUST / REAR BUMPER-	1
5	_N_10621301	EXPANDING NUT	10
6	_N_91015701	Screw for steel sheet 5x16	6
7	V3FL807375	GUIDE PROFILE	1
7 bis	V3FL807376	GUIDE PROFILE	1
8	_7N0819465D	VENT TRIM	2
9	_N_90994403	HEXAGONAL BOLT M8X30 (COMBI)	2
10	_N_90944604	HEXALOBULAR SOCKET WITH FLANGE M5X12	4
11	_N_10098811	HEXAGON SCREW WITH FLANGE M6x16	16
12	5F6807568	DIFUSSER	1
13	_N_0195307	HEX COLLARED BOLT M8X25	4
14	_N_90757901	HEXAGON COLLAR NUT M5	2
15	5F6807305B	BUMPER BAR, REAR (G)	1
16	5F6807347	BRACKET (G)	1
16 bis	5F6807348	BRACKET (G)	1
17	5F6807759	REAR BUMPER BRACKET (G)	4

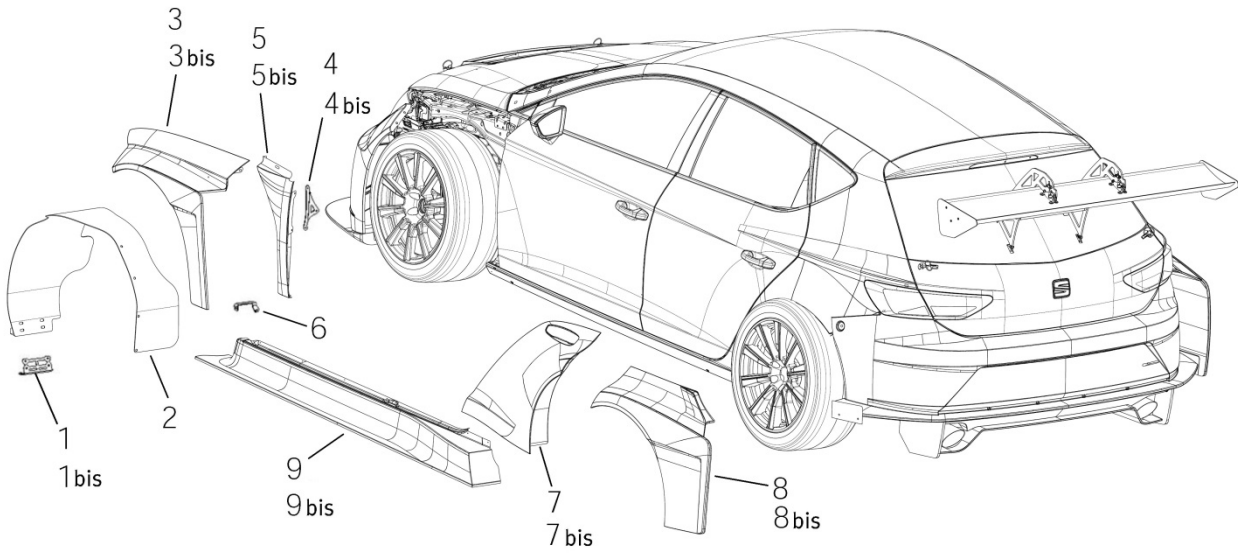
BODY FINISHING 1



BODY FINISHING 1

Pos.	Reference	Description	Qty.
1	_5F0945207E	LED TAIL LIGHT (LEFT INNER)	1
1 bis	_5F0945208E	LED TAIL LIGHT (RIGHT INNER)	1
2	_5F0945307D	LED TAIL LIGHT (LEFT OUTER)	1
2 bis	_5F0945308H	LED TAIL LIGHT (RIGHT OUTER)	1
3	V3FL845051C	POLYCARBONATE GLASS REAR WINDSCREEN	1
4	_5F0945097D	ADDITIONAL BRAKE LIGHT	1
5	V3FL845041	LEFT SIDE WINDOW (FIXED)	1
5 bis	V3FL845042	RIGHT SIDE WINDOW (FIXED)	1
6	V3FL845025	DOOR WINDOW (LEFT REAR)	1
6 bis	V3FL845026	DOOR WINDOW (RIGHT REAR)	1
7	V3FL845201	DOOR WINDOW (LEFT FRONT)	1
7 bis	V3FL845202	DOOR WINDOW (RIGHT FRONT)	1
8	_5F0845011	WINDSHIELD	1
9	_5F0853273D9B9	STRIP (LEFT)	1
9 bis	_5F0853274D9B9	STRIP (RIGHT)	1
10	_5F4809905FGRU	FUEL FILLER DOOR	1
N/D1	_5F0854319E9B9	TRIM STRIP FOR WINDSCREEN	1
N/D2	_5F0854320E9B9	TRIM STRIP FOR WINDSCREEN	1
N/D3	_5F0854541	TRIM STRIP FOR PANEL	1
N/D4	_5F0854542	TRIM STRIP FOR PANEL	1
N/D5	_N_91142501	POP RIVET 3,2x7,5	12

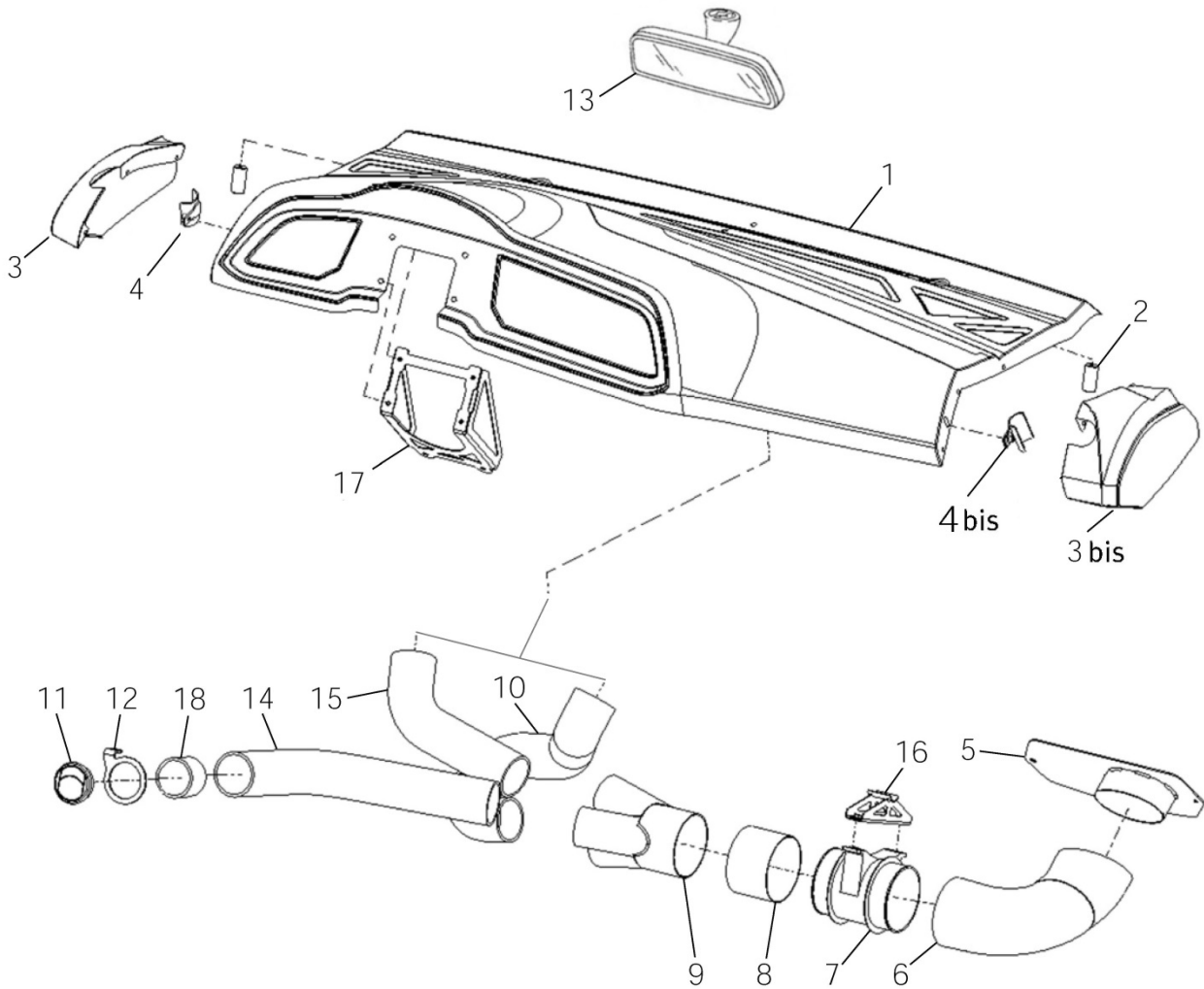
BODY FINISHING 2



BODY FINISHING 2

Pos.	Reference	Description	Qty.
1	8S6821167	BRACKET	1
1 bis	8S6821168	REINFORCEMENT (G)	1
2	5F6821171A	FRONT WHEEL HOUSING	2
3	5F6821103	FRONT LEFT FENDER	1
3 bis	5F6821104	FRONT RIGHT FENDER	1
4	V3FL821473	MUD GUARD SUPPORT -LEFT-	1
4 bis	V3FL821474	MUD GUARD SUPPORT -RIGHT-	1
5	5F6821109	FRONT INNER WING (LEFT FRONT)	1
5 bis	5F6821110	FRONT INNER WING (RIGHT FRONT)	1
6	5F6821195	FRONT MUD GUARD LOWER SUPPORT	2
7	5F6853717	LEFT REAR DOOR FENDER	1
7 bis	5F6853718	RIGHT REAR DOOR FENDER	1
8	5F6853817	LEFT REAR FENDER	1
8 bis	5F6853818	RIGHT REAR FENDER	1
9	5F6853553	SIDE SKIRT (LEFT)	1
9 bis	5F6853554	SIDE SKIRT (RIGHT)	1
N/D	_N_90648704	SCREW FOR STEEL SHEET 4.8x16	8

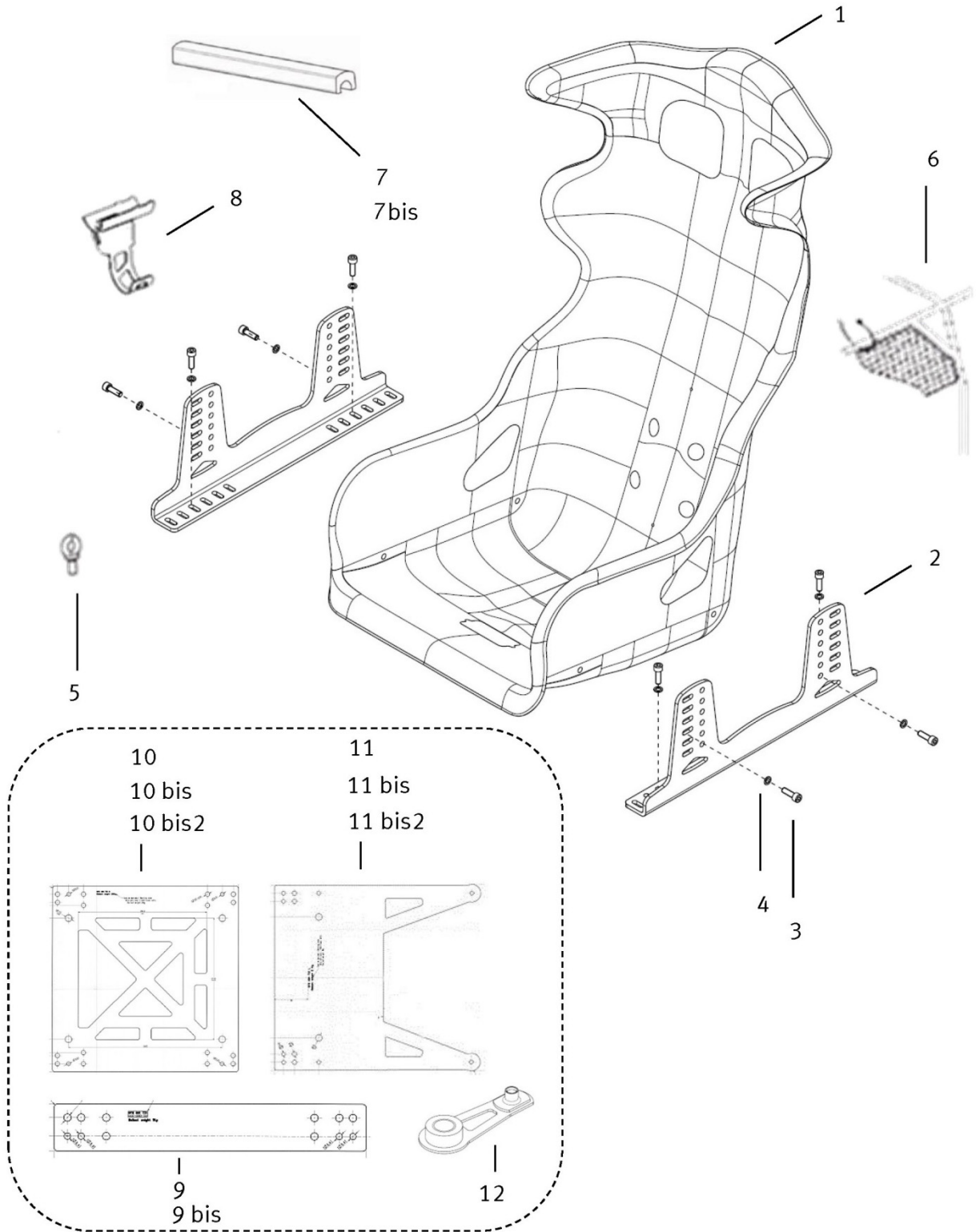
COCKPIT



COCKPIT

Pos.	Reference	Description	Qty.
1	5F6857009	COCKPIT	1
2	V3FL857184	COCKPIT SUPPORT (L/R)	2
3	V3FL857035	COCKPIT COVER	1
3 bis	V3FL857036	COCKPIT COVER	1
4	V3FL857155	COCKPIT SUPPORT (L/R)	1
4 bis	V3FL857156	COCKPIT SUPPORT (L/R)	1
5	5F6815481A	INTAKE MANIFOLD	1
6	V3FL819037	VENTILATION DRIVER L=350 Ø102	1
7	5F6971569	FAN WIRING LOOM ASSEMBLY	1
8	V3FL819038	VENTILATION DRIVER L=100 Ø102	1
9	V3FL815580	AIR DISTRIBUTOR PIPE	1
10	V3FL819039	VENTILATION DRIVER L=400 Ø60	1
11	V3FL820971	DASHBOARD AIR DIFUSSER	1
12	V3FL819178	AIR VENT SUPPORT	1
13	_3C0857511JSMA	REAR WIEW MIRROR	1
14	V3FL819040	VENTILATION DRIVER L=700 Ø60	1
15	V3FL819041	VENTILATION DRIVER L=560 Ø60	1
16	5F6819250	SUPPORT	1
17	V3FL857068	COCKPIT CENTRAL SUPPORT ASSY.	1
18	V3FL819042	VENTILATION DRIVER L=25 Ø60	1
N/D	V3FL010952	DASHBOARD ADHESIVE	1

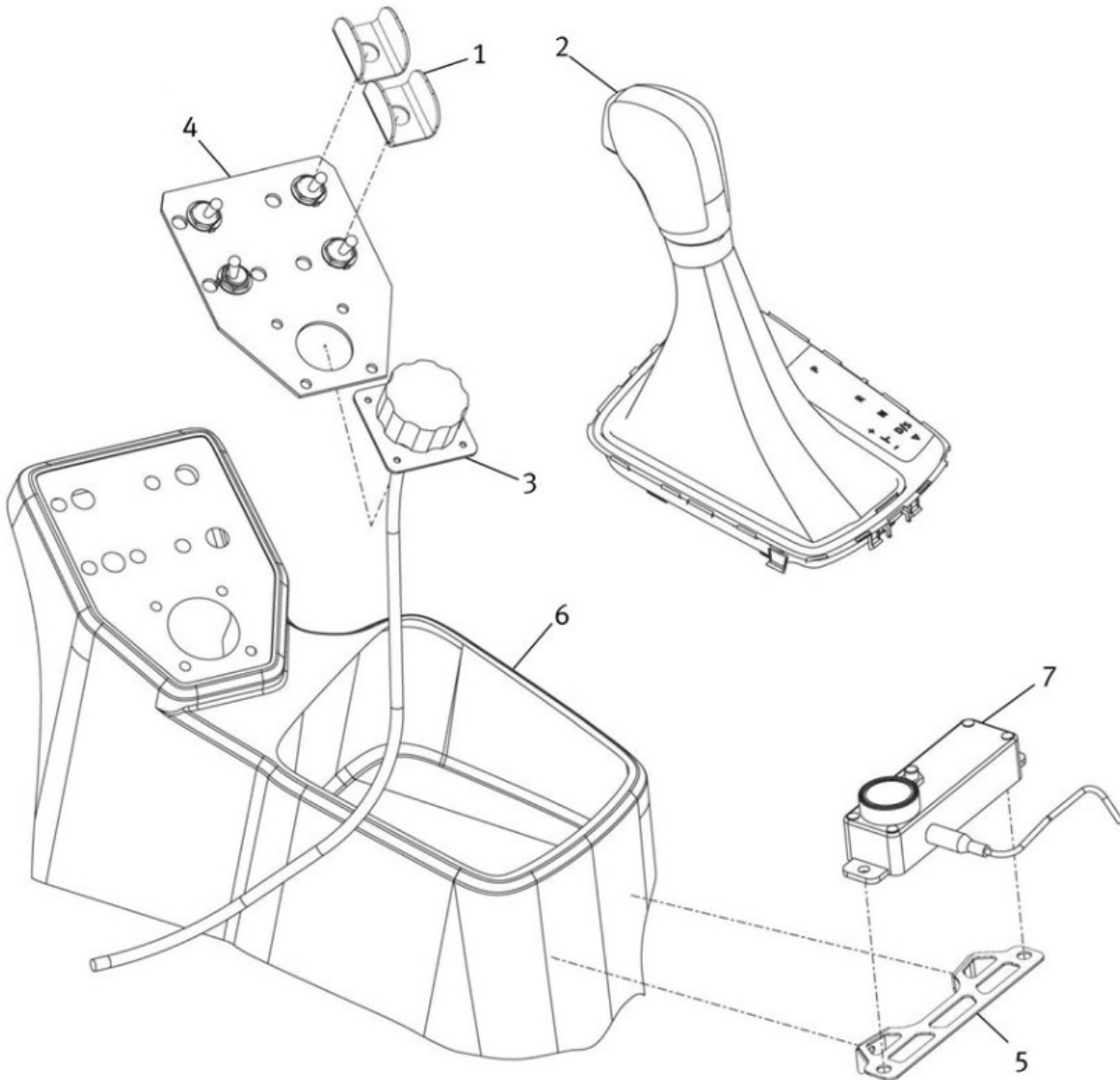
BACKET & SAFETY BELTS



BACKET & SAFETY BELTS

Pos.	Reference	Description	Qty.
1	5GV881019	BACKET DRIVER SEAT	1
2	5F6881689	BACKET ADAPTER	1
3	VN0001371139	ALLEN BOLT M8X25 DIN933 PAV.12.9	4
4	_N_0154013	FLAT WASHER Ø8X20X4 BI	8
N/D	V3FL857705	SAFETY BELT 6P BLACK	1
5	V2ML803039	BELTS ANCHOR RING	2
6	V2ML861873	SECURITY WINDOW NET	1
7	V2MN011227	ROLL BAR PROTECTION Ø32 L=600MM	1
7 bis	V2MT011227	FIA ROLL-BAR PROTECTION Ø40 L=600MM	1
8	5F6419571	BRACKET UPPER PART WO/LOGO (G)	1
9	5F6861721	1KG BALLAST WEIGHT	1
9 bis	5F6861721A	3KG BALLAST WEIGHT	1
10	5F6861721H	5KG BALLAST WEIGHT	1
10 bis	5F6861721J	10KG BALLAST WEIGHT	1
10 bis2	5F6861721K	20KG BALLAST WEIGHT	1
11	5F6861721L	5 KG FRONT BALLAST WEIGHT	1
11 bis	5F6861721M	10 KG FRONT BALLAST WEIGHT	1
11bis2	5F6861721N	20 KG FRONT BALLAST WEIGHT	1
12	5F6861701	BALLAST SUPPORT	1
N/D2	5GV825237A	SUMPGUARD	1

PILOT BOX



PILOT BOX

Pos.	Reference	Description	Qty.
1	V2MT906274	SWITCH PROTECTOR (RED)	1
1 bis	V2MT906274A	SWITCH PROTECTOR (YELLOW)	1
2	V3FL713203	GEAR SHIFT COVER	1
3	V3FL612191	BRAKE REGULATION CABLE	1
4	V3FL971645	CONTROL CONSOLE	1
5	V3FL016253	EXHAUST INTERIOR BRACKET PUSHBUTTON	1
6	V3FL907123	CONTROL CONSOLE HOUSING	1
7	V4PL917012	CONTROL BOX FOR EXTINGUISHER	1

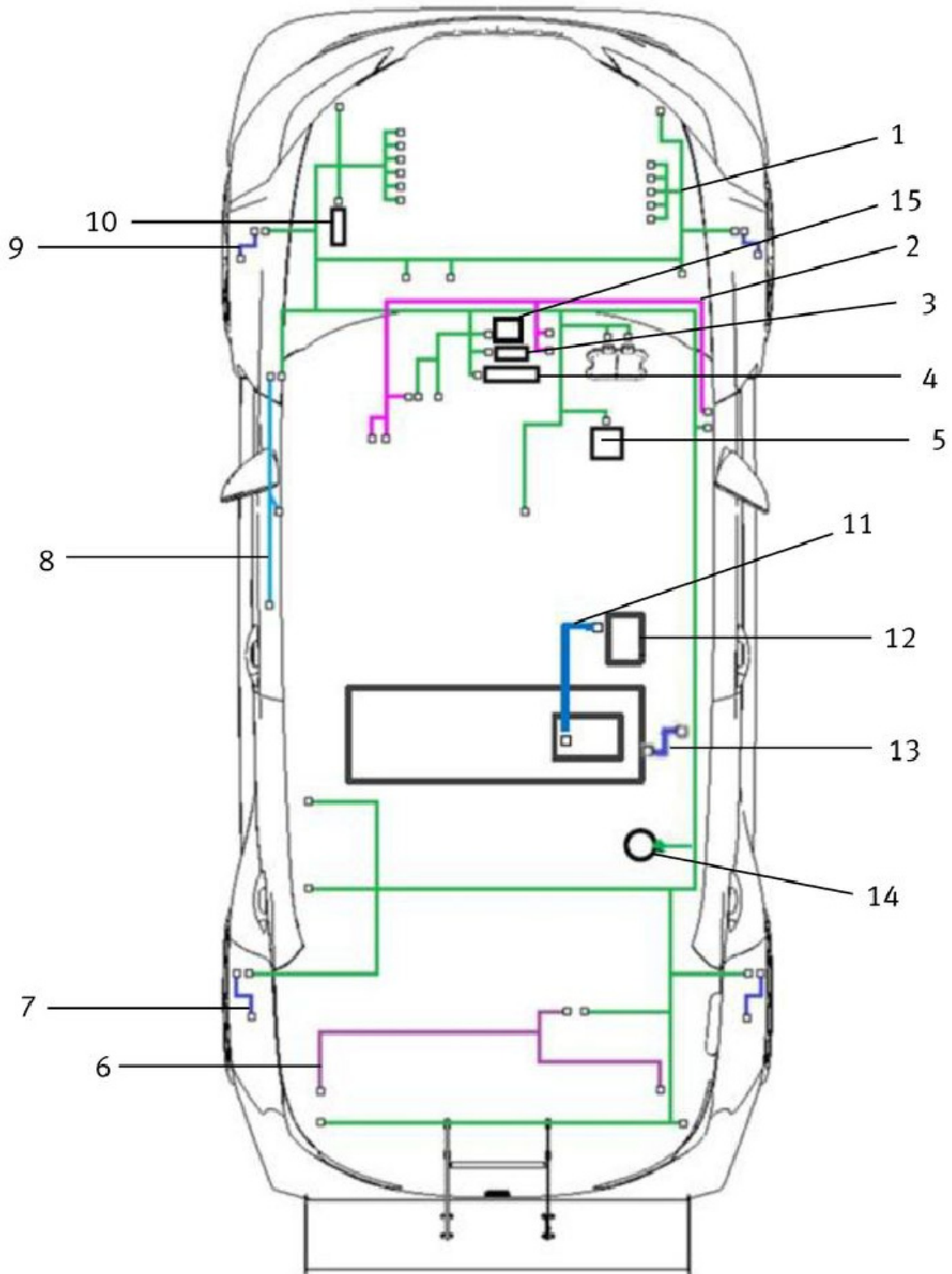
DATA LOGGER



DATA LOGGER

Pos.	Reference	Description	Qty.
N/D	V3FL907033	DASH LOGGER MXG	1
1	V3GL920801	DASHBOARD	1
2	5F6919889	GPS-05 -AIM-	1
3	V3GL906609	CONNECTION MODULE -AIM-	1
4	V3FL918251	SMARTY CAM GP AIM w/CABLE	1
5	V3FL918655	ROLL-BAR SMARTY CAM SUPPORT	1
6	V3FL971123	PC DOWNLOAD CABLE -AIM-	1
N/D2	8V6971245	GPS WIRING EXTENSION ANTENNA	1

WIRING LOOM 1

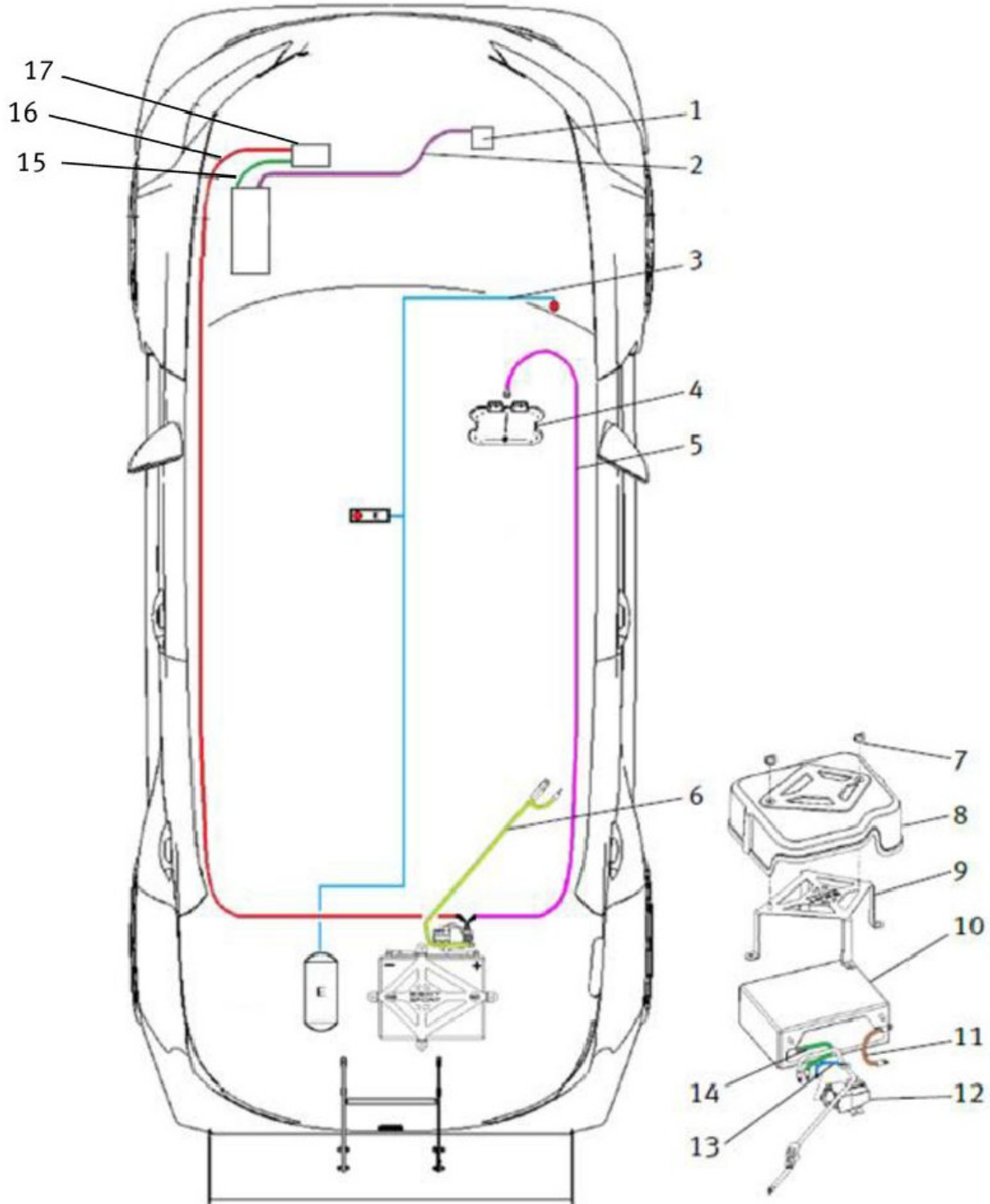


WIRING LOOM 1

Pos.	Reference	Description	Qty.
1	5F6970000	CHASSIS WIRING LOOM	1
2	5F6971339	DATA LOGGER WIRING LOOM	1
3	8S6907530	GATEWAY	1
4*	8S6900002	BLACK BOX	1
5	5F6614111	ABS UNIT WITH CONTROL UNIT	1
6	5F6971147	HARNESS, TRUNK LID	1
7	V3FL971937	REAR HARNESS WHEEL RPM WIR	1
8	8S6971035	DOOR WIRING LOOM	1
9	V3FL971217	FRONT HARNESS WHEEL RPM WIR	1
10*	5F6906259E	ECU ENGINE TCR -2016-	1
11	5F6971727	HARNESS, FUEL TANK (Z)	1
12	4F1906093C	CONTROL UNIT, FUEL -PWM-	1
13	5F6201142	GROUND CABLE (Z)	1
14	8S6907502	FUEL LEVEL DISPLAY	1
15	5F6905107	RELAY	1
16	5F6325025B	GEAR CONTROL UNIT	1
17	5F6971771B	HARNESS TRANSM. ST82	1
18	5F6919052	ACTUATOR BLIP	1
N/D*	_06K972627R	WIRING SET FOR ENGINE	1
N/D2*	_06K972627AP	WIRING SET FOR ENGINE	1

* PLEASE CONTACT SEAT SPORT

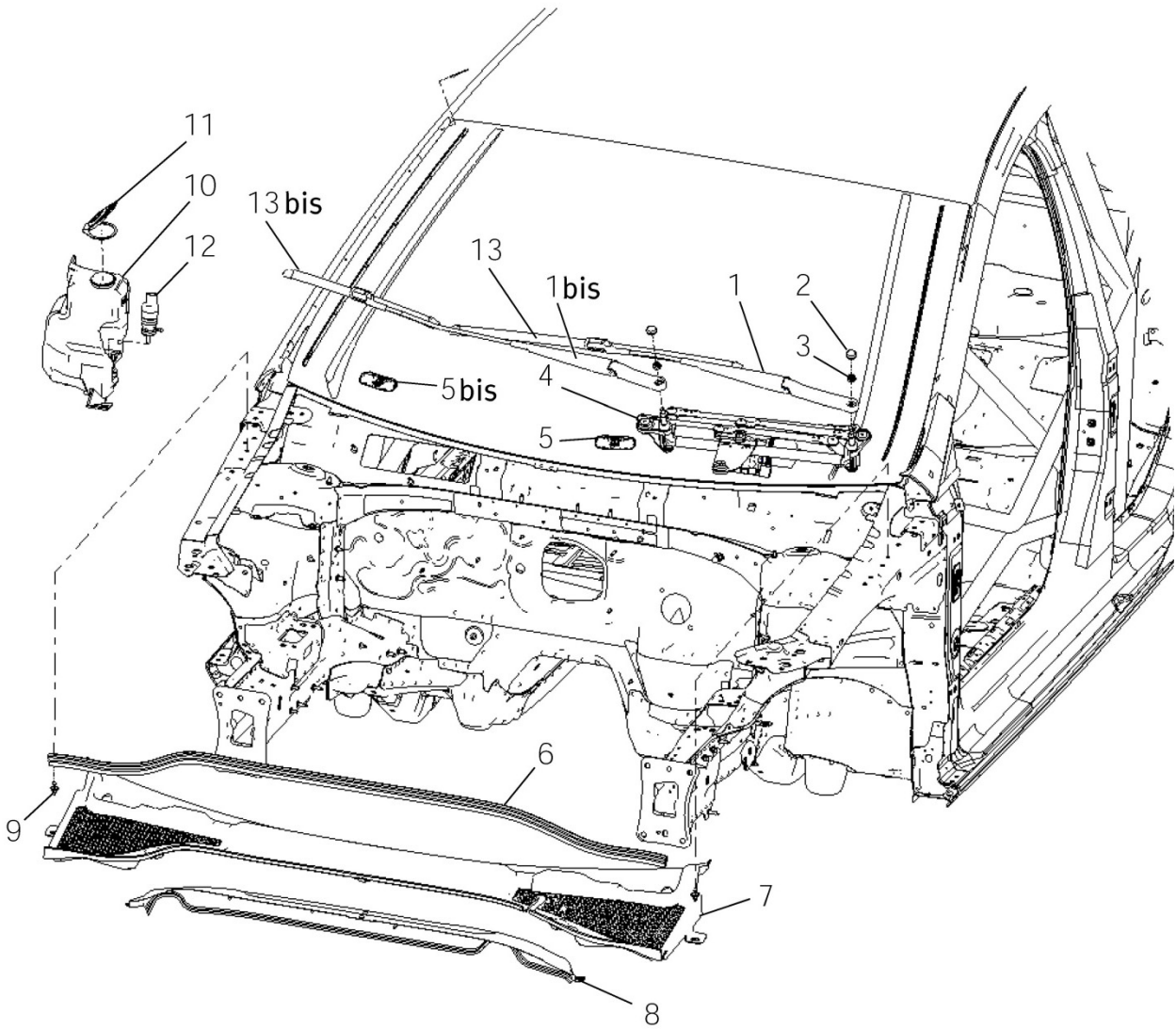
WIRING LOOM 2



WIRING LOOM 2

Pos.	Reference	Description	Qty.
1	5F6903023A	ALTERNATOR 14V 140A	1
2	_5Q0971230AE	WIRING SET FOR THREE-PHASE ALTERNATOR	1
3	5F6971096	FIRE HARNESS	1
4	5F6907070	FUSE BOX (Z)	1
5	V3FL971318	POWER WIRING LOOM FOR FUSE-BOX	1
6	V3FL971226	BATTERY WIRING LOOM	1
7	VN0003130325	NUT BI. 8.8 M6 DIN6923	2
8	V3FL801293	BATTERY HOUSING UNIT	1
9	5F6915303	BATTERY SUBJECTION (G)	1
10	V3GT915105	BATTERY 40AH	1
11	5F6971235	BATTERY GROUND CABLE	1
12	VN0008134300	RELAY BATTERY DISCONNECTION	1
13	V3FL971358	WIRING LOOM (FROM RELE TOWARDS DISCONN.)	1
14	V3FL971372	BATTERY TO MAIN SWITCH RELAY	1
15	5F6972227	CONNECTING LINE (Z)	1
16	5F6971793	STARTER HARNESS	1
17	_02E911023S	STARTER 1.1 KW	1

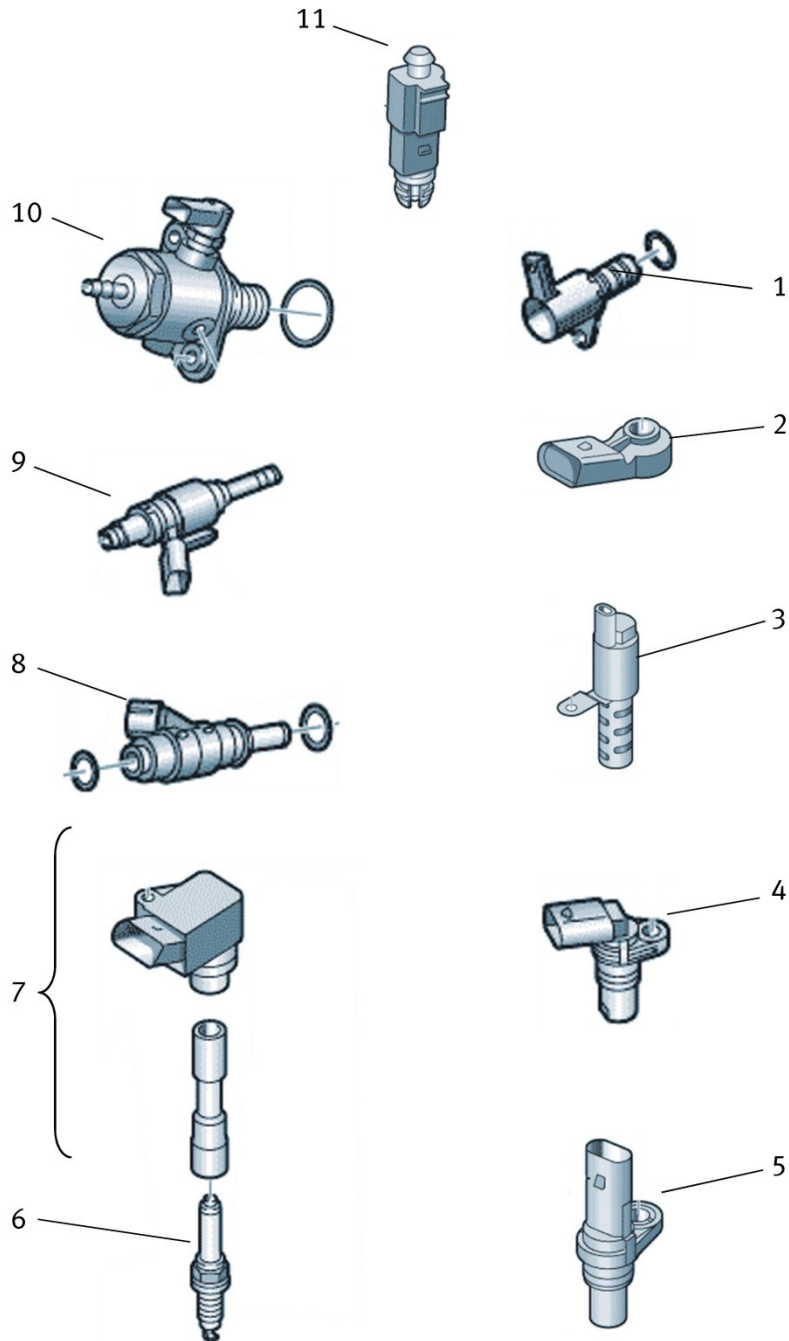
WINDSCREEN WASHER



WINDSCREEN WASHER

Pos.	Reference	Description	Qty.
1	_5F1955409	WIPER ARM (DRIVERS SIDE)	1
1 bis	_5F1955410	WIPER ARM (PASSENGER SIDE)	1
2	_1J0955205A9B9	CAP	2
3	_N_10609204	HEXAGON COLLAR NUT M8	2
4	_5F1955023A	WINDOW WIPER MOUNTING WITH WIPER MOTOR	1
5	_5F0955985	WATER JET	1
5 bis	_5F0955986	WATER JET	1
6	_5F0823723A5AP	SEAL FOR WATER BOX	1
7	5F6819403	COVER SECTION	1
8	_5F0805275	WATER BOX FRONT PANEL	1
9	_5P0810997	BUNG	2
10	_1J0955453P	WASH WATER RESERVOIR	1
11	_1K0955455	END CAP	1
12	_1K5955651	Window water pump	1
13	_5F1955425	AERO WIPER BLADE (DRIVERS SIDE)	1
13 bis	_5F1955426	AERO WIPER BLADE (PASSENGER SIDE)	1

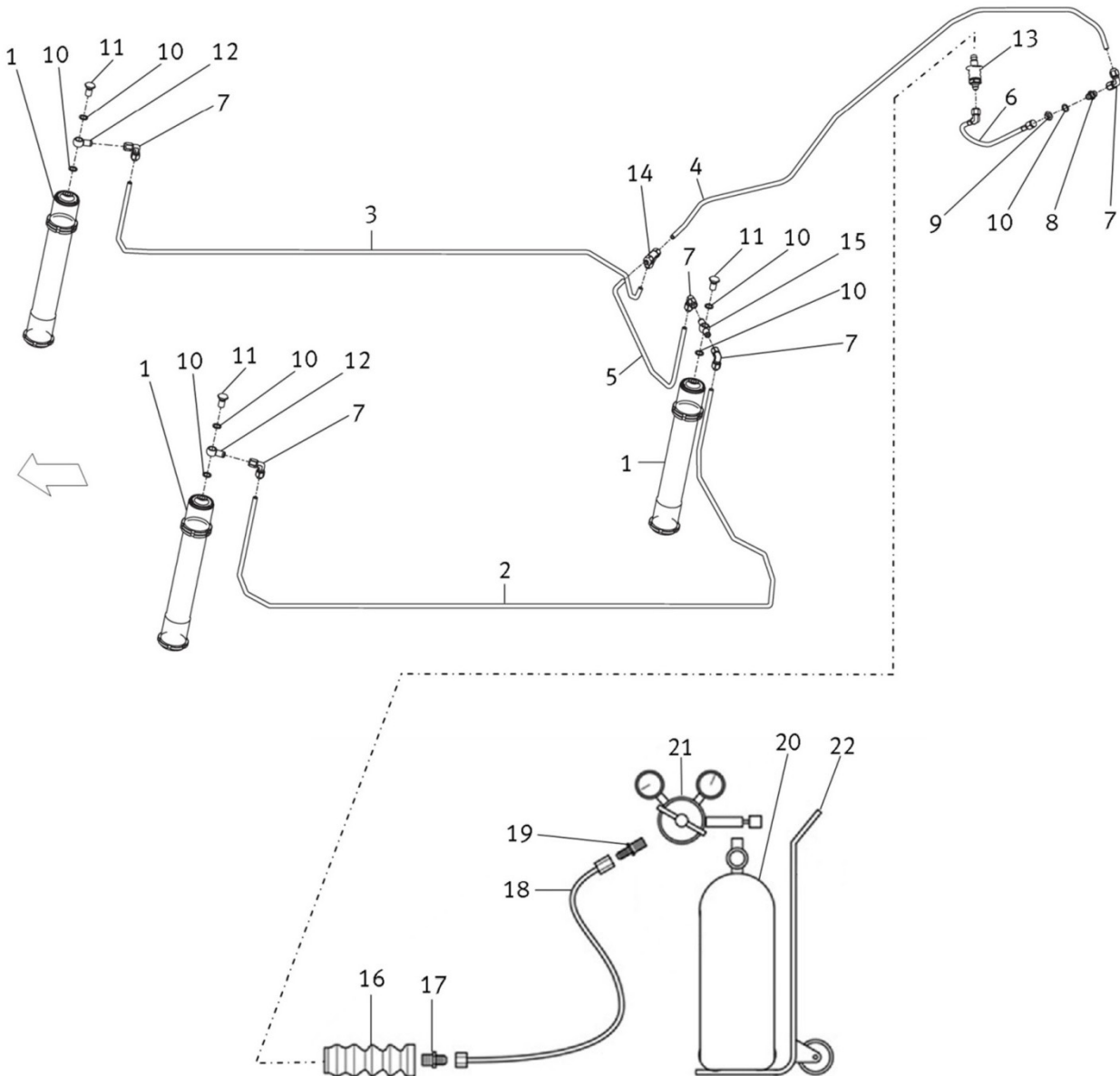
ELECTRONIC COMPONENTS



ELECTRONIC COMPONENTS

Pos.	Reference	Description	Qty.
1	_06K115243T	OIL PRESSURE CONTROL VALVE -UPPER-	1
2	_06K905376	KNOCK SENSOR	1
3	_04E906455D	CONTROL VALVE CAMSHAFT	1
4	_04C907601	IMPULSE SENDER CAMSHAFT	1
5	_06H906433C	IMPULSE SENDER CRANKSHAFT	1
6	5F6905601	SPARK PLUG -9°	4
7	_06J905110F	IGNITION COIL WITH SPARK PLUG CONNECTOR	4
8	_06L906031A	INJECTION VALVE	4
9	_06L906036H	INJECTION VALVE	4
10	_06L127025M	FUEL PUMP	1
11	_8Z0820535A	EXTERNAL TEMPERATURE SENSOR	1

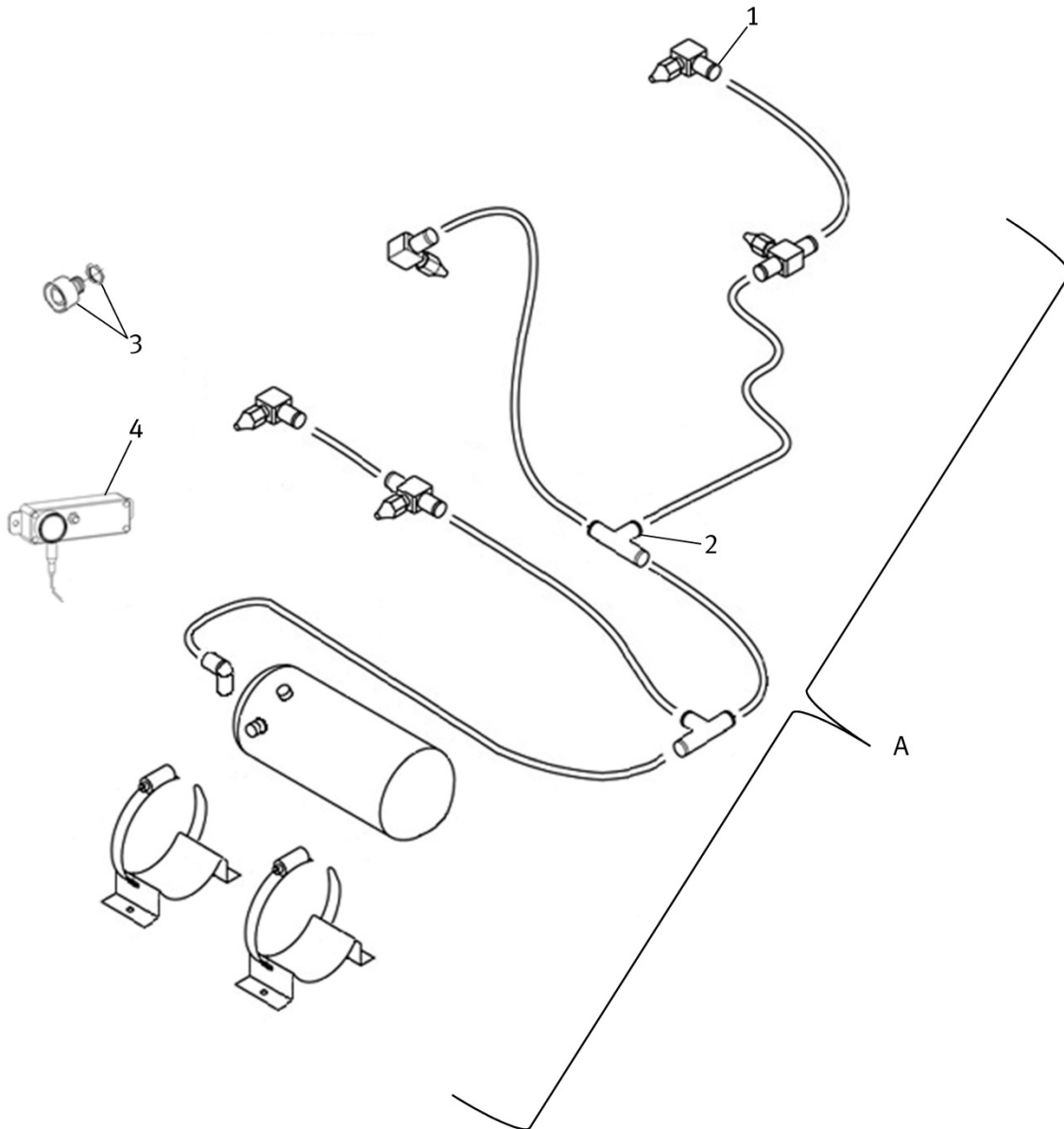
AIRJACK SYSTEM



AIRJACK SYSTEM

Pos.	Reference	Description	Qty.
1	5F6011031	AIRJACK CYLINDER	3
2	V3FL011019	REAR PIPE AIRJACK	1
3	V3FL011020	REAR PIPE AIRJACK	1
4	V3FL011021	REAR PIPE AIRJACK	1
5	V3FL011023	REAR PIPE AIRJACK	1
6	5F6011228A	INLET PIPE AIRJACK	1
7	VN0005104300	ALU. ELBOW 90° FEMALE-TUBE Ø10MM	5
8	VN0005107300	BULKHEAD ADAPTER 06D-06D	1
9	VN0005108300	ALUMINIUM NUT 9/16-18 UNF	1
10	_N_0138495	COOPER WASHER 14x20	7
11	VN0005008400	BANJO BOLT M14X1.5 L=25	3
12	VN0005013800	BANJO BOLT Ø14MM (M/) 06D	2
13	V4PL011011	FAST CONNECTOR M22X1,5	1
14	VN0005102200	ADAPTER T3X10MM	1
15	VN0005015400	BANJO Ø14MM DOUBLE (M/M) 06D-06D	1
16	V4PL011015	AIRJACK CONNECTOR	1
17	VN0005174200	MALE-MALE ADAPTER M16x1,5-04D	1
18	V4PL011108	PIPE L=5000	1
19	V131617100	ADAPTER 3/8-19 BSP-7/16-20	1
20	V2ML011102	18 LTS BOTTLE	1
21	V2ML011120A	REDUCTOR 60KG	1
22	V2ML011132	TRANSPORTATION CART	1
N/D	U3FL011001	AIRJACK SECURE	3

EXTINGUISHER



EXTINGUISHER

Pos.	Reference	Description	Qty.
A	8v6860237	FIRE EXTINGUISHER (Z)	1
1	V2ML016241	L VALVE	3
2	V2ML016239	T RACORD 3 VIAS 6X8	2
3	VN0008127200	BATTERY DISCONNECT SWITCH	1
4	V4PL971012	CONTROL BOX FOR EXTINGUISHER	1
N/D	VN0008100100	9V BATTERY	1
N/D2	5F6860347B	BRACKET	1

KITS & ACCESSORIES

KITS & ACCESSORIES

Pos.	Reference	Description	Qty.
N/D	5F6201027	KIT FUEL TANK COUPLIG PROTECTION	1
N/D2	5F6698203	KIT ABS FOR SADEV gbx	1
N/D3	5F6698302	KIT FAST BRAKE LINE COUPLING	1
N/D4	8V6198007	KIT SCRUTINEERING (evo4 TCR)	1
N/D5	5F6900961	KIT SMARTY CAM	1
N/D6	5F6900042	TRANSPONDER	1
N/D7	5F6419919A	STEERING COLUMN HUB 1	1
N/D8	5F6419919C	STEERING COLUMN HUB 2	1
N/D9	8S6422211	STEERING WHEEL SPACER 1	1
N/D10	8S6422211A	STEERING WHEEL SPACER 2	1
N/D11	5F6498969	HOOK WRENCH DAMPERS	1
N/D12	5F6498970	ADJUSTER PIN FRONT DAMPER	2
N/D13	VN0008142700	AUXILIARY BATTERY CONNECTOR	1
N/D14	5F6698204	BRAKE PRESSURE KIT (Z)	1