

LEON CUP RACER



2017 TCR

SPARE PARTS CATALOGUE

Revision: 2017/CW28



SEAT LEON CUP RACER TCR
SPARE PARTS CATALOGUE

COMMERCIAL INFO

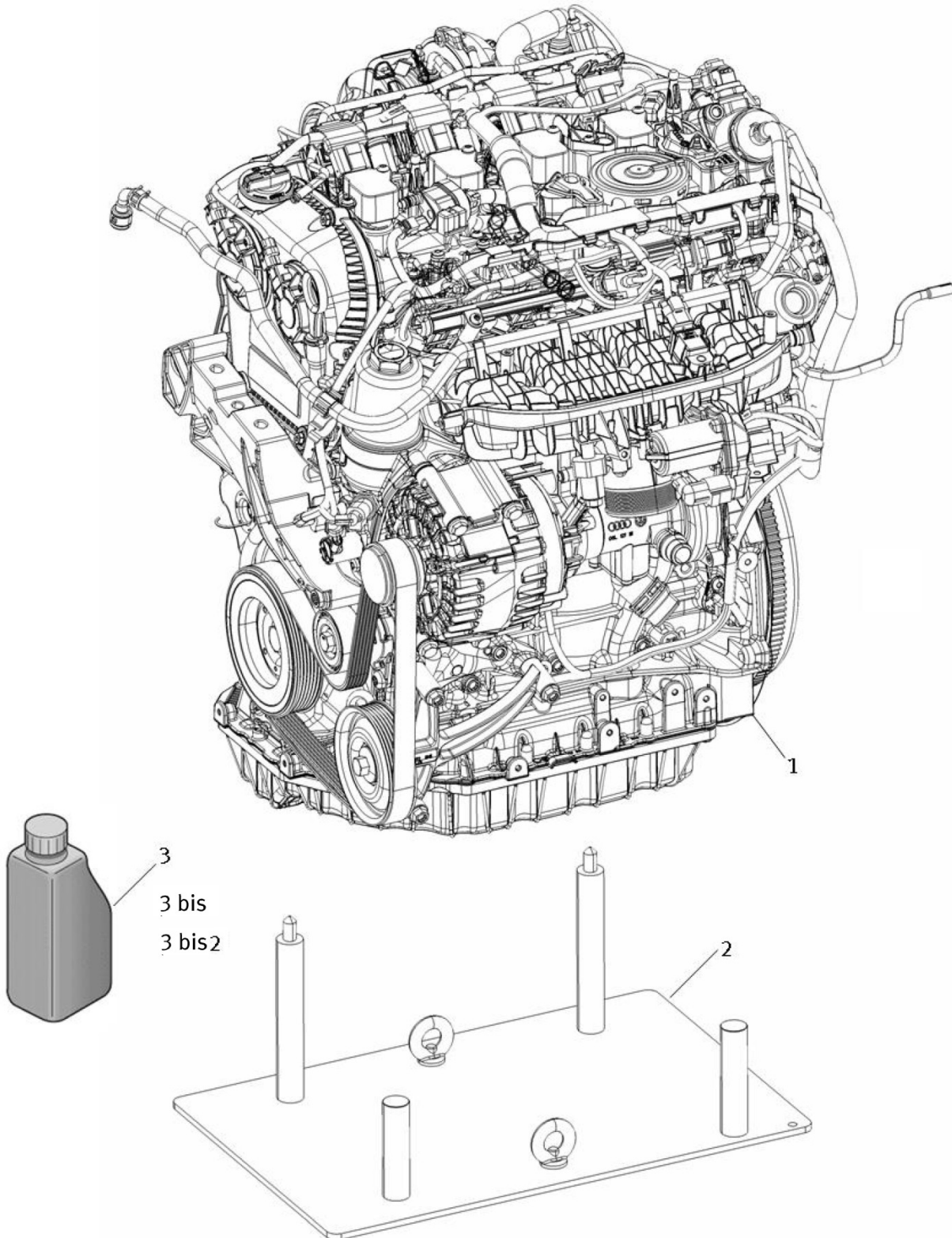
INDEX

Main Group	Secondary Group	Page
1	ENGINE	
	ENGINE SUPPORT	6
	ENGINE	8
	ENGINE WATER COOLING SYSTEM	10
	ENGINE AIR INTAKE & TURBO COOLING SYSTEM	12
	ENGINE SUPPORTS	14
2	FUEL & EXHAUST	
	TANK & FUEL SYSTEM 1	18
	TANK & FUEL SYSTEM 2	20
	EXHAUST	22
3	EXTERNAL REFUELING KIT	24
	GEARBOX	
	GEARBOX	26
	HOUSINGS	28
	LUBRICATION	30
	PRIMARY GEARTRAIN	32
	SECONDARY GEARTRAIN	34
	MANUAL SELECTOR AXLE	36
	GEAR SELECTOR	38
	DIFFERENTIAL	40
	SUPPORTS & ACTUATORS	42
4	CLUTCH	44
	DRIVESHAFT	46
	FRONT AXLE	
	FRONT UPRIGHT AND HUB	48
	FRONT SHOCK ABSORBER	50
	FRONT SUBFRAME	52
	WISHBONE	54
STEERING RACK	56	
STEERING COLUMN	58	
STEERING WHEEL AND SHIFT PADDLES	60	

INDEX

Main Group	Secondary Group	Page
5	REAR AXLE	62
	REAR UPRIGHT AND HUB	64
	REAR SHOCK ABSORBER	66
6	WHEEL & TYRE	68
	FRONT BRAKE	70
	REAR BRAKE	72
	PEDALS AND PUMPS	74
	BRAKE CIRCUIT	76
8	BODY	78
	FRONTEND	80
	FRONT DOORS	82
	REAR DOORS	84
	BONNET	86
	BOOT LID	88
	REAR WING	90
	FRONT BUMPER	92
	REAR BUMPER	94
	BODY FINISHING 1	96
	BODY FINISHING 2	98
	COCKPIT	100
	BACKET & SAFETY BELTS	102
PILOT BOX	104	
9	DATA LOGGER	106
	WIRING LOOM 1	108
	WIRING LOOM 2	110
	WINDSCREEN WASHER	112
	ELECTRONIC COMPONENTS	114
	AIRJACK SYSTEM	116
	EXTINGUISHER	118
10	KITS & ACCESORIES	120

ENGINE SUPPORT

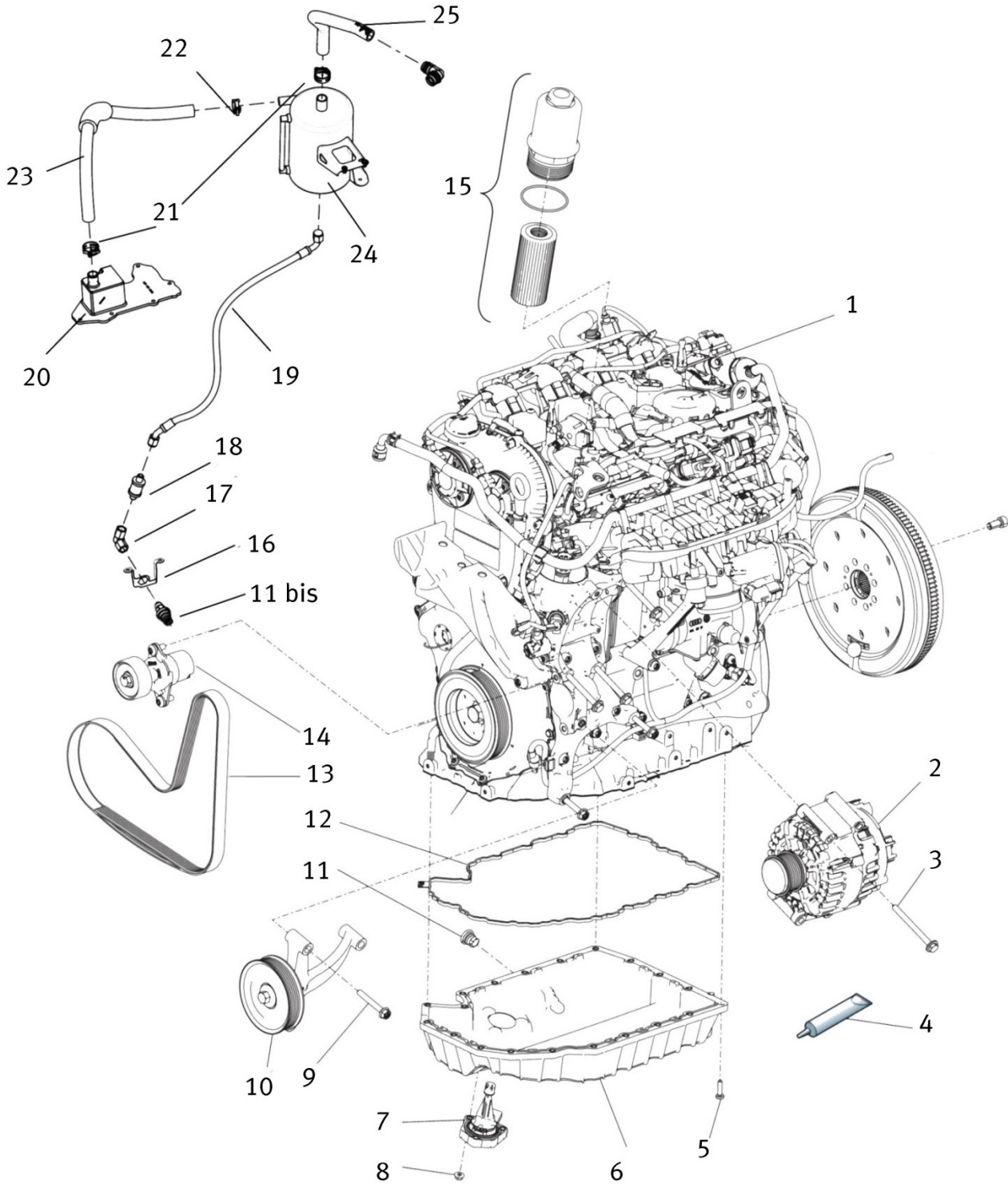


ENGINE SUPPORT

Pos.	Reference	Description	Qty.
1*	VLH3100010	ENGINE LCR/TCR (SPARE) RUN IN	1
2	ULH3100001	ENGINE SUPPORT ASSY.	1
3	VN0000053100	CASTROL EDGE OIL 5W-30 1L	1
3 bis	VN0000053000	CASTROL EDGE OIL 5W-30 5L	1

* PLEASE CONTACT SEAT SPORT. FLYWHEEL (REF. 5F6105266B) NOT INCLUDED

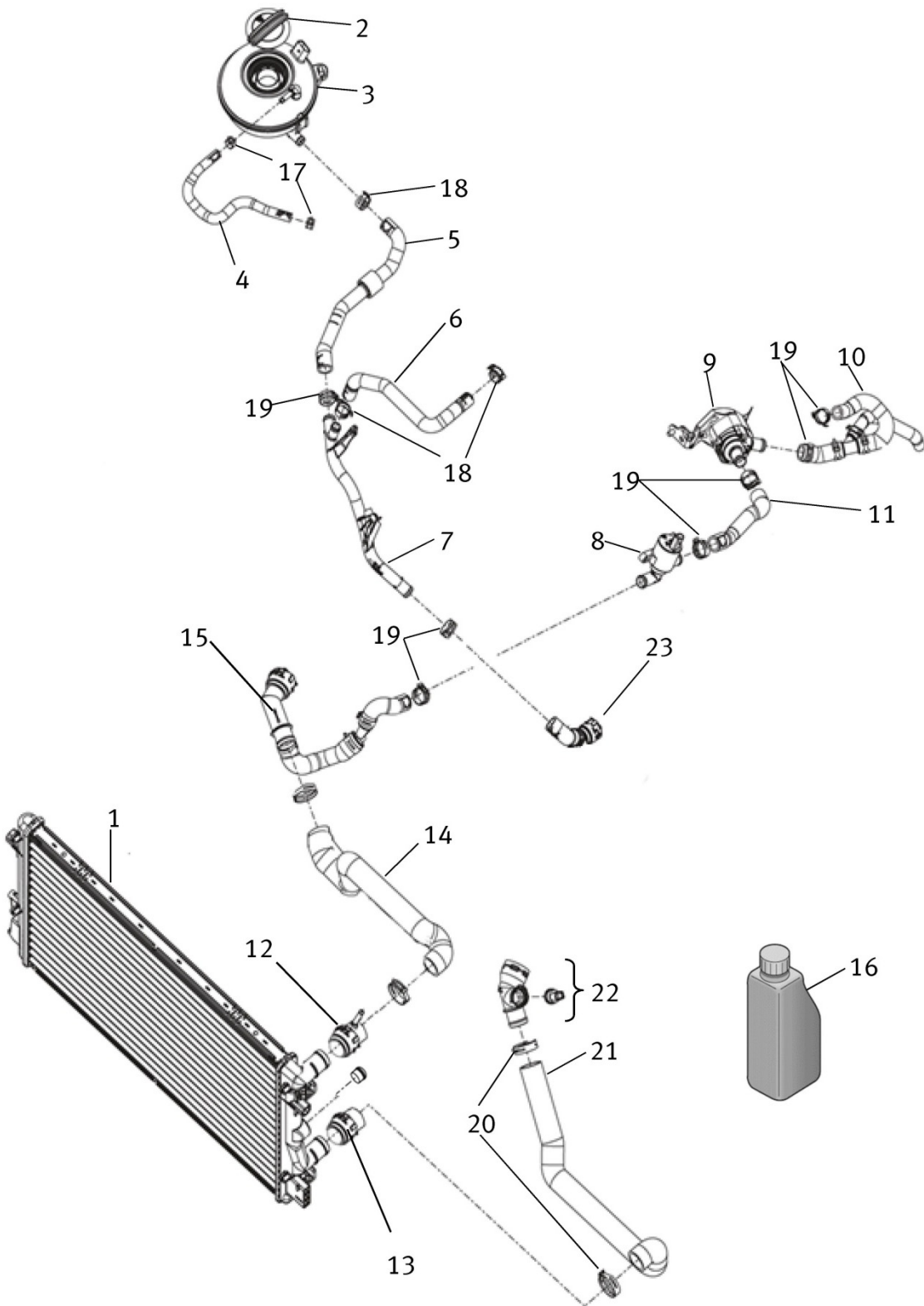
ENGINE



ENGINE

Pos.	Reference	Description	Qty.
1	VLH3100010	ENGINE LCR/TCR (SPARE) RUN IN	1
2	5F6903023A	ALTERNATOR 14V 140A	1
3	_N_91204501	HEXAGON BOLT	4
4	_D174003M2	SEALING SILICONE -80ml-	1
5	_N_91071701	HEXAGON SOCKET FLAT HEAD BOLT M6X25	20
6	_06K103600D	OIL SUMP-LOWER PART	1
7	_03F907660D	OIL LEVEL SENSOR	1
8	_N_01508210	HEXAGON COLLAR NUT M6	1
9	_N_10746301	HEXAGON FLANGE SCREW M8X60	3
10	_06K145172	DEFLECTION PULLEY	1
11	_06L103801	OIL SUMP PLUG	1
11 bis	5F6103035A	OIL RECIRCULATING PLUG	1
12	_06K103649	GASKET FOR OIL SUMP	1
13	_06L903137A	POLY-V-BELT 21,36X1132MM	1
14	_06L903133F	BELT TENSIONER DAMPER	1
15	_06L115562	OIL FILTER	1
16	5F6103113B	COVER	1
17	VN0005163300	RACORD 90° SWIVEL (H/H) 06D-06D	1
18	VLH3103155	NON-RETURN VALVE	1
19	V4PL422892C	SUCTION HOSE 06D-45°/90° L=605MM	1
20	VLH3103473	ENGINE OIL GASES BREATHER COVER	1
21	_N_90687001	SPRING BAND CLAMP 27X12	2
22	_N_90686901	SPRING BAND CLAMP 23X12	1
23	V3FL422887	OIL GASES BREATHER HOSE -ENGINE-	1
24	VOJL103069	OIL CATCH TANK	1
25	5F6103213	BREATHER PIPE -OIL GASES INTAKE-	1

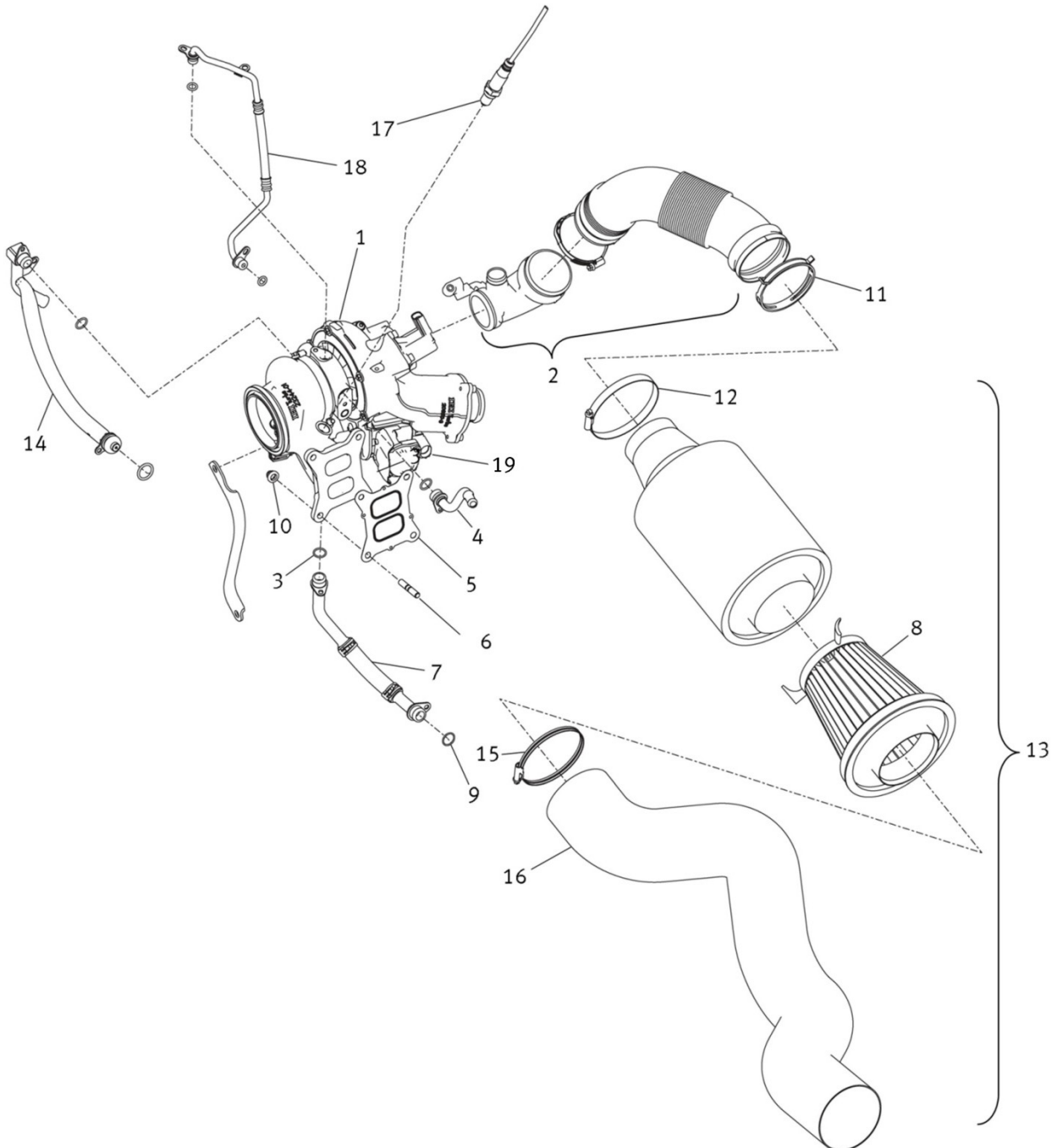
ENGINE WATER COOLING SYSTEM



ENGINE WATER COOLING SYSTEM

Pos.	Reference	Description	Qty.
1	5F6121251	RADIATOR	1
2	_3C0121321	EXPANSION TANK COVER	1
3	_5Q0121407G	EXPANSION TANK	1
4	_5Q0121447G	COOLANT HOSE	1
5	_5Q0122109J	COOLANT HOSE	1
6	_5Q0121058R	COOLANT HOSE	1
7	_5Q0121070AB	COOLANT PIPE	1
8	_4H0121671D	SOLENOID VALVE	1
9	_5Q0121599AA	AUXILIARY WATER PUMP	1
10	_5Q0122073AA	COOLANT HOSE	1
11	_5Q0122157AB	COOLANT HOSE	1
12	_5Q0122291BD	FAST COUPLING -INLET RADIATOR-	1
13	_3B0122291C	FAST COUPLING -OUTLET RADIATOR-	1
14	5F6121051B	RADIATOR INLET HOSE	1
15	_5Q0122101CE	COOLANT HOSE	1
16	VN0000060400	CASTROL COOLANT 1L	1
17	_N_90686701	SPRING BAND CLAMP 14X12	2
18	_N_90686901	SPRING BAND CLAMP 23X12	5
19	_N_90687001	SPRING BAND CLAMP 27X12	8
20	_N_90687201	SPRING BAND CLAMP 40X12	2
21	5F6121051C	RADIATOR OUTLET HOSE	1
22	_1K0122291AD	FAST COUPLING	1
23	_5Q0122058B	FAST COUPLING	1

ENGINE AIR INTAKE & TURBO

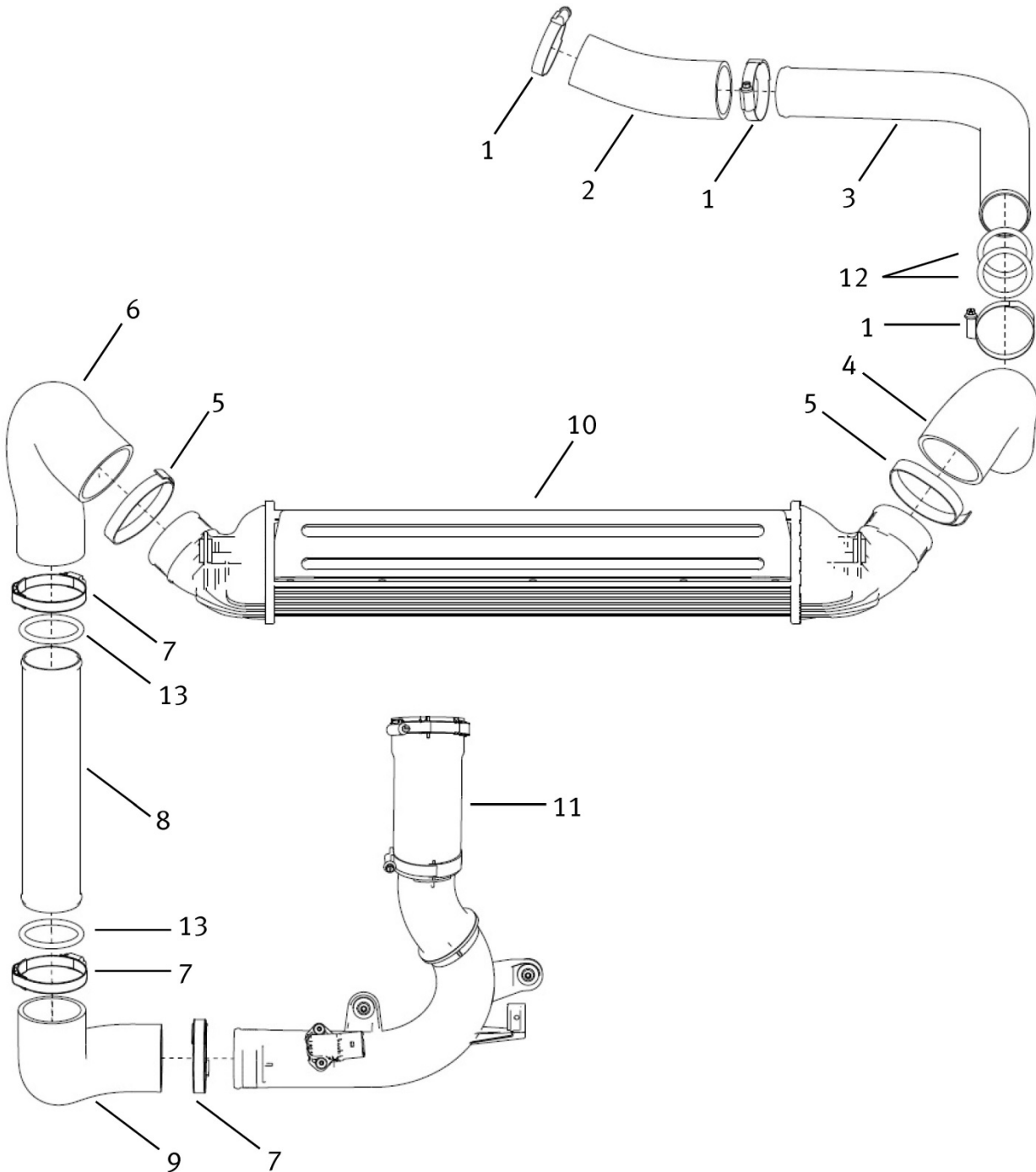


ENGINE AIR INTAKE & TURBO

Pos.	Reference	Description	Qty.
1*	VLH3145701	TURBOCHARGER -SEALED-	1
2	5f6129654	MODIFIED INTAKE HOSE	1
3	_WHT006113	O-RING 15X1,8	1
4	_06K121492F	COOLANT PIPE -RETURN TURBOCHARGER-	1
5	_06L253039	GASKET	1
6	_N_91145003	STUD M8X22	4
7	_06K145735G	OIL RETURN LINE	1
8	5F6133838	AIR FILTER	1
9	_WHT006112	O-RING 16,75X1,65	1
10	_N_91130801	HEXAGON COLLAR NUT SELF-LOCKING M8	4
11	_N_90656501	SPRING BAND CLAMP 85X12	1
12	VN0004014400	CLAMP 100-120	1
13	5F6133151	AIR FILTER BOX SET	1
14	_06K121497AD	COOLANT PIPE -TURBOCHARGER-	1
15	5F6129642A	INTAKE HOSE CLAMP Ø90	1
16	5F6129618	INTAKE HOSE	1
17	_8V0906262D	LAMBDA PROBE	1
18	_06K145778E	OIL PIPE -TURBOCHARGER-	1
19	_06K145725S	WASTE GATE ACTUATOR	1
N/D	VN0000052700	CLEANING KIT FOR AIR FILTER	1
N/D2	VN0000052800	REGENERATION FLUID AIR FILTER -BMC- 250c	1
N/D3	VN0000052900	SPRAY FLUID REGENERATION AIR FILTER 200c	1

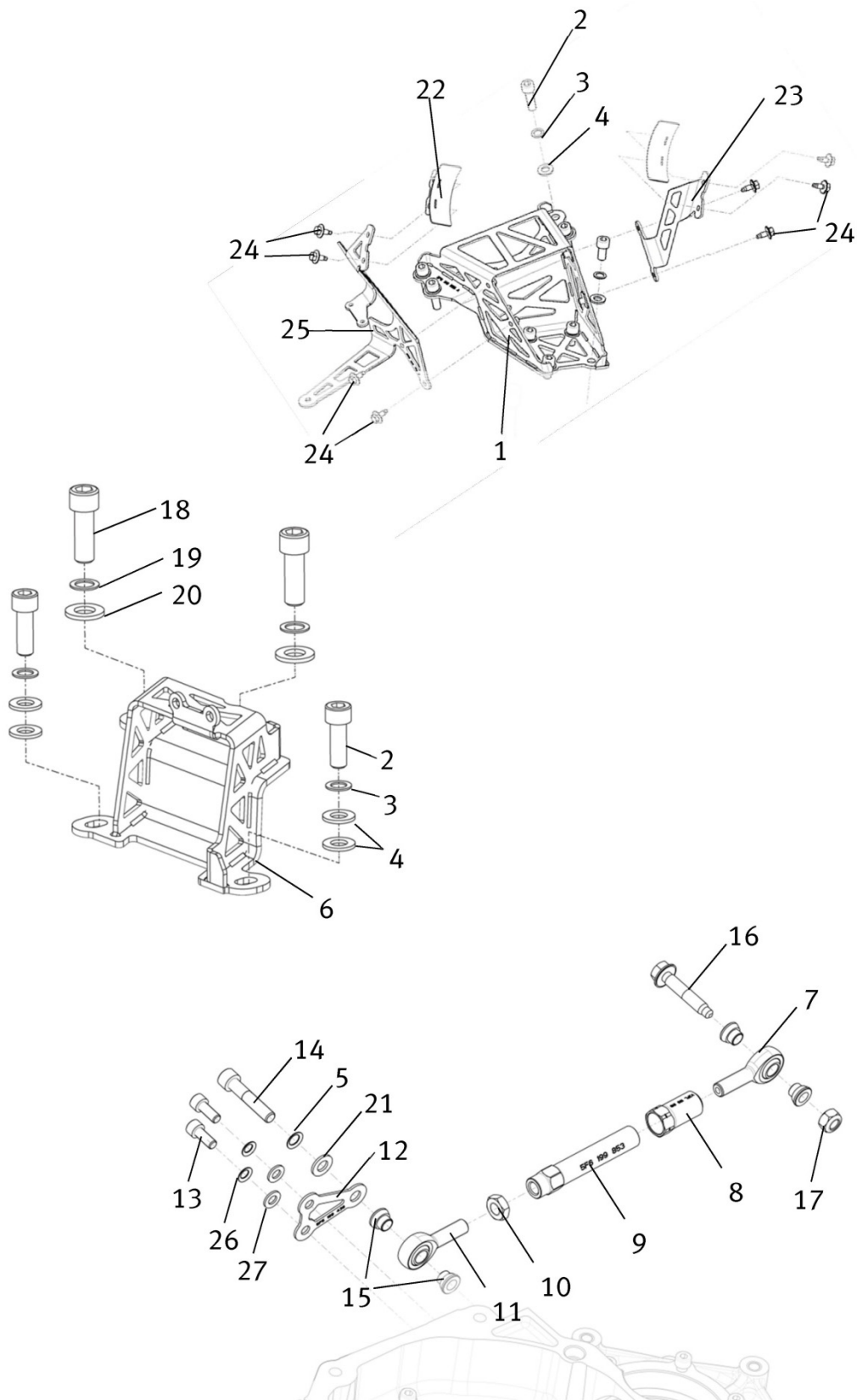
* INCLUDES PARTS N° 5 & 10

COOLING SYSTEM



COOLING SYSTEM

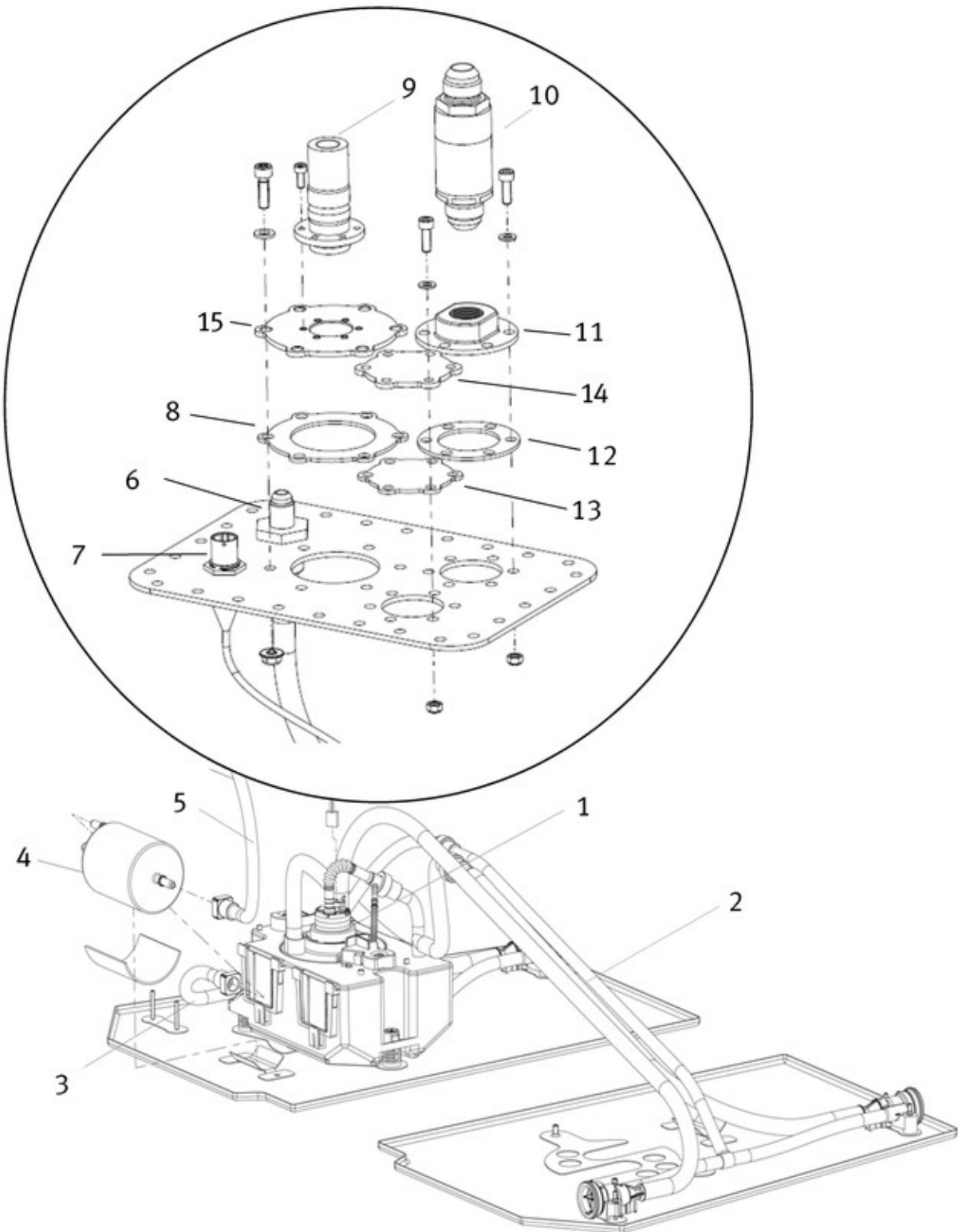
Pos.	Reference	Description	Qty.
1	_N_10734801	CLAMP 40-60 X12	3
2	5F6145695	TURBO TOWARDS INTERCOOLER HOSE EXIT	1
3	5F6145840	INTAKE PIPE -INTERCOOLER INLET-	1
4	5F6145832A	INTAKE HOSE -INTERCOOLER INLET-	1
5	_N_0245034	CLAMP 60-80x13x0,5	2
6	5F6145834A	INTAKE HOSE -INTERCOOLER OUTLET-	1
7	_N_10518901	CLAMP 50-70X12	3
8	5F6145770	INTAKE PIPE -INTERCOOLER OUTLET-	1
9	5F6145861	INTAKE HOSE	1
10	5F6145803A	INTERCOOLER	1
11	_5Q0145792E	INTAKE PIPE W/ MAP SENSOR	1
12	VN0002545700	O-RING NBR 45x6	2
13	VN0002545800	O-RING NBR 55x6	2

ENGINE SUPPORTS


ENGINE SUPPORTS

Pos.	Reference	Description	Qty.
1	5F6199555A	GEARSHIFT SUPPORT (G) -LR- SADEV ST 82	1
2	VN0001161339	ALLEN BOLT M10X30 DIN912 12,9 PAV.	8
3	VN0002150700	PRESSED TYPE WASHER Ø10,5X16	10
4	VN0002001039	FLAT WASHER Ø10 DIN125	12
5	VN0002150700	PRESSED TYPE WASHER Ø10,5X16	1
6	V3FL199262A	ENGINE SUPPORT	1
7	V2MT313121	MALE BALL JOINT (TURNS LEFT)	1
8	V3FL199818	LEFT NUT M12 (LINK ROD)	1
9	5F6199853	LINK ROD	1
10	VN0003060318	NUT PAV. 12.9 M12 DIN 936	1
11	V2MT313119	MALE BALL JOINT	1
12	5F6199436	LINK ROD BRACKET	1
13	VN0001157039	ALLEN BOLT M8X20 DIN912 12,9 PAV	2
14	VN0001161739	ALLEN BOLT M10X50 DIN912 12.9 PAV.	1
15	V3GL199065	KNEECAP SPACER M12	4
16	_N_90781301	BOLT M10X65	1
17	_N_10261310	HEXAGONAL NUT M10	1
18	VN0001172039	ALLEN HEAD BOLT 12.9M12X150X35DIN912	2
19	VN0002150800	PRESSED TYPE WASHER Ø13X18	2
20	VN0002001120	FLAT WASHER Ø12MM DIN125	2
21	VN0002001039	FLAT WASHER Ø10 DIN125	1
22	5F6133165	BRACKET AIR	2
23	5F6133171C	BRACKET AIR	1
24	_N_10098811	HEXAGON SCREW WITH FLANGE M6x16	8
25	5F6133172D	BRACKET AIR	1
26	VN0002150600	PRESSED TYPE WASHER Ø8,5X13	2
27	VN0002000930	FLAT WASHER PAV. M8 DIN125	2

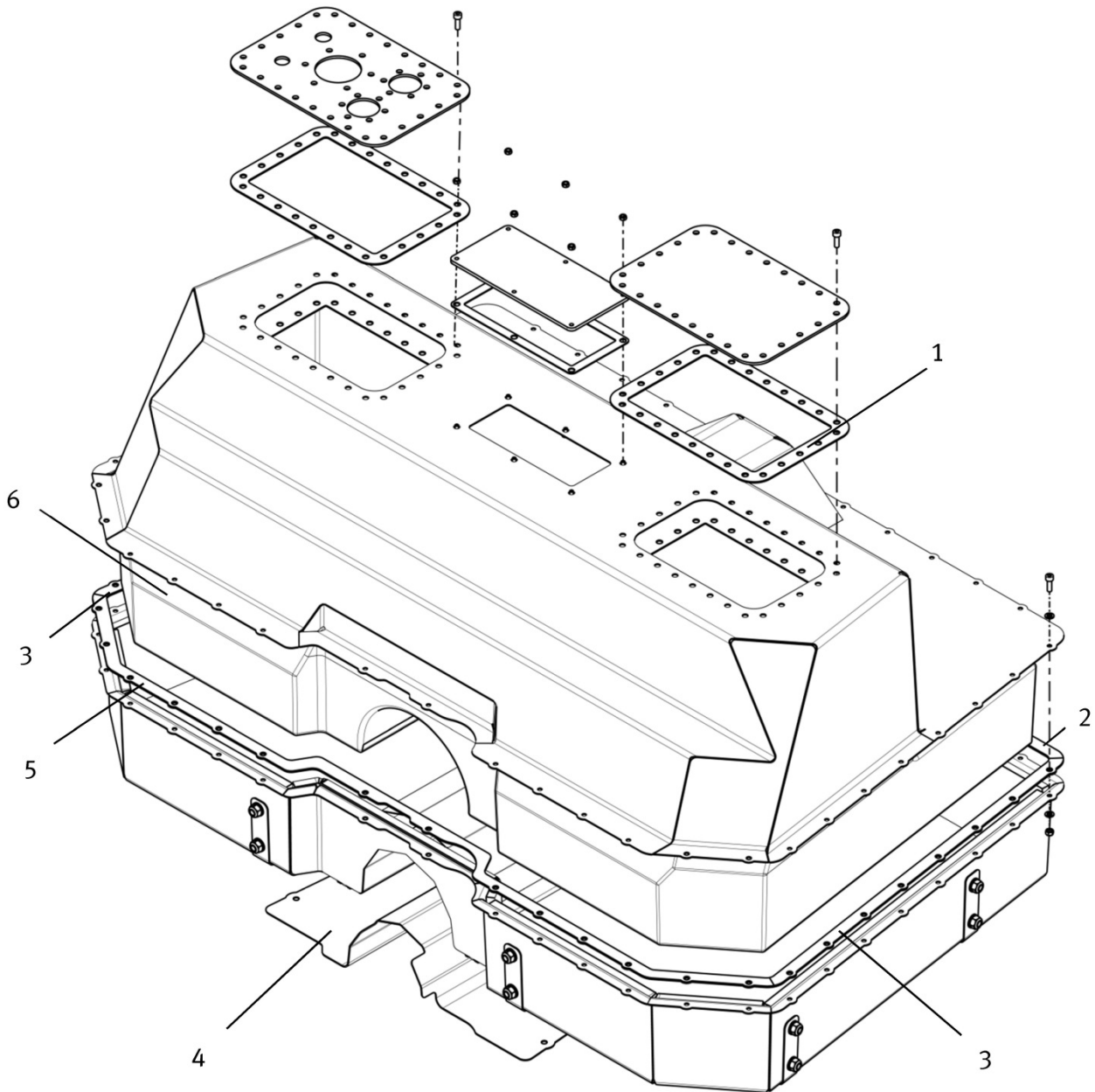
TANK & FUEL SYSTEM 1



TANK & FUEL SYSTEM 1

Pos.	Reference	Description	Qty.
1	8JR201444	FUEL PUMP ASSY.	1
2	5F6201863	SUCTION JET PUMP	1
3	5F6201864	SUCTION JET PUMP	1
4	_4F0201511E	FUEL FILTER	1
5	5F6201220	SUPPLY PIPE (Z)	1
6	8JR201049A	FUEL LINE CONNECTION	1
7	8JR971316	WIRING SET	1
8	5F6201939C	SEAL RING	1
9	VN0005130410	FEMALE FUEL TANK DRY BREAK	1
10	V8PS201753	FIA TANK VENTILATION VALVE - 200mb	1
11	8JR201831A	CONNECTING PIECE	1
12	8JR201621A	PAPER GASKET	1
13	5F6201939B	SEAL RING	1
14	5F6201783A	SHIELD	1
15	5F6201786	VALVE FITTING	1
N/D	5F6201511	FUEL FILTER	1

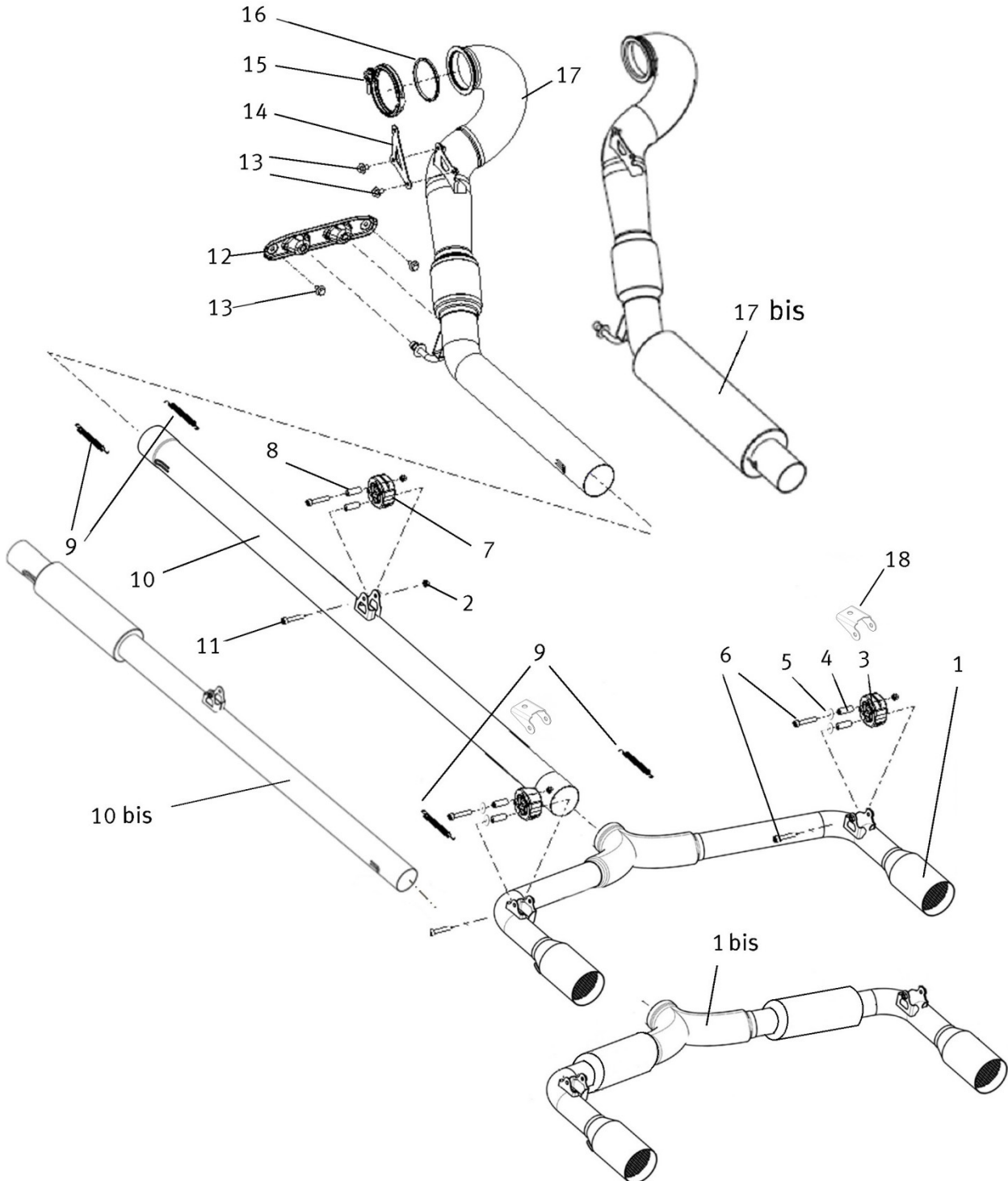
TANK & FUEL SYSTEM 2



TANK & FUEL SYSTEM 2

Pos.	Reference	Description	Qty.
1	5F6201558A	GASKET	4
2	5F6201196E	SEAL	1
3	5F6201196D	SEAL	2
4	5F6201247A	SHIELD	1
5	5F6201196C	SEAL	1
6	5F6201075A	FUEL TANK (Z) -BLADER-	1

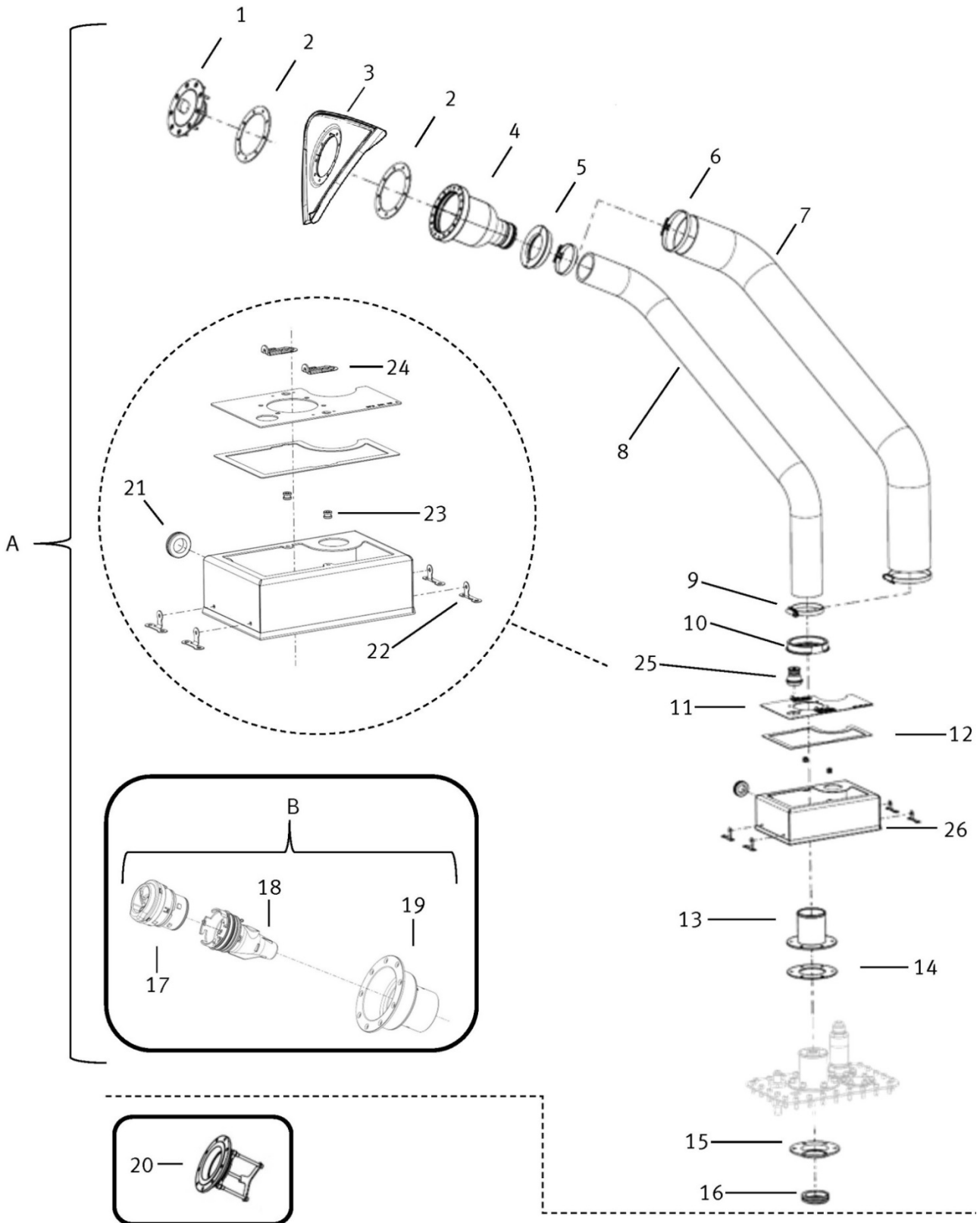
EXHAUST



EXHAUST

Pos.	Reference	Description	Qty.
1	5F6253611	EXHAUST TAIL PIPE	1
1 bis	5F6253611A	EXHAUST TAIL PIPE w/ SILENCER	1
2	_N_10435508	COLLAR NUT	1
3	_8L9253147	RUBBER SUPORT	2
4	V3FL253579	EXHAUST SILENTBLOCK SPACER	2
5	VN0002221410	FLAT WASHER ZN Ø8X30 DIN522	4
6	VN0001157939	ALLEN BOLT M8X60 DIN912 12.9 PAV.	4
7	_8D0253147E	RUBBER SUPPORT	4
8	V3GL253579	EXHAUST SILENTBLOCK SPACER	1
9	5F6253496	SPRING	2
10	5F6253409	EXHAUST INTERMEDIATE	4
10 bis	5F6253409B	EXHAUST INTERMEDIATE PIPE w/ SILENCER	1
11	VN0001157639	ALLEN BOLT M8X45 DIN912 12.9 PAV.	1
12	_1K0253144AE	SILENTBLOCK SUPPORT	2
13	_N_91079301	HEX COLLARED BOLT M8X16	1
14	V3FL253249	EXHAUST SUPPORT	4
15	_5Q0253725C	CLAMP	1
16	_5Q0253115B	SEAL	1
17	5F6253059	EXHAUST DOWN PIPE	1
17 bis	5F6253059B	EXHAUST DOWN PIPE w/SILENCER	1
18	5F6253144	SUPPORT	1

REFUELING KIT



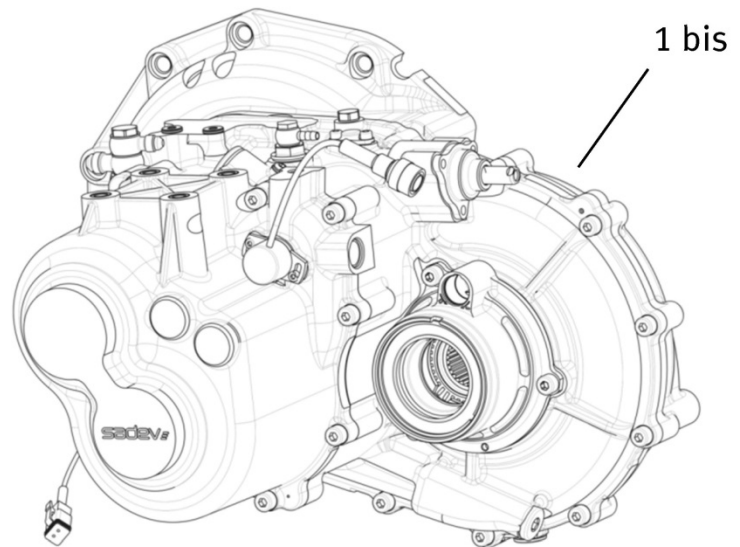
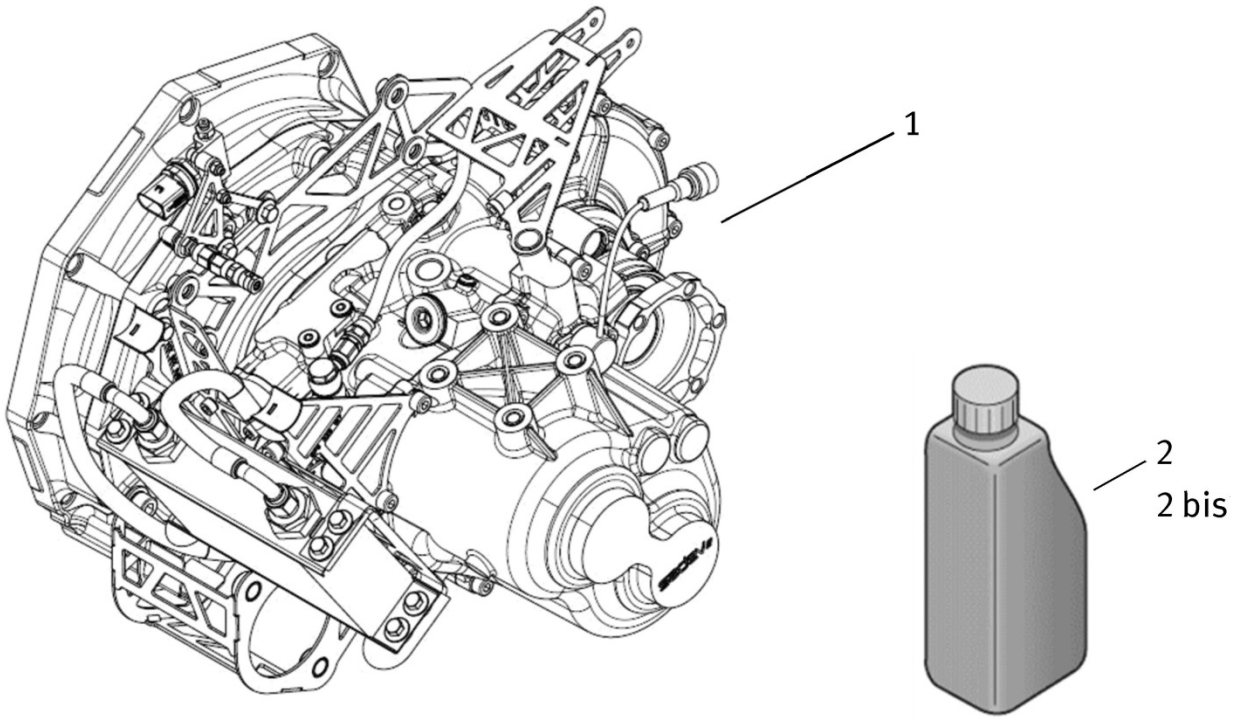
REFUELING KIT

Pos.	Reference	Description	Qty.
A*	5F6198007	EXTERNAL REFUELING KIT	1
B**	5F6201546B	FUEL FILLER CAP W/O VALVE	1
1	5F6201546	FUEL FILLER CAP w/BASE	1
2	5F6201557	SEALING RING	2
3	5F6845046	ADHESIVE FRAME LATERAL GLASS	1
4	5F6201541A	CONNECTING HOSE	1
5	V8PS201122	PROTECTION TUBE UPPER FINAL SUPPORT	1
6	VN0004014100	TOOTHED STAINLES.CLAMP A4 13mm 70X90 SW7	2
7	V2ML201284	FLEXO TRIM	1
8	8JR201548	FILLER HOSE	1
9	_N_10734801	CLAMP 40-60 X12	2
10	5F6201195A	HOSE SUPPORT -LOWER-	1
11	5F6201118A	PROTECTION COVER	1
12	5F6201309	PROTECTION COVER SEAL	1
13	8JR201117	FILLER NECK	1
14	8JR201621	GASKET FOR FILLER NECK	1
15	8JR201785	VALVE SUPPORT	1
16	8JR201811	VALVE	1
17	8JR201112	FILLER HEAD	1
18	8JR201741	FILLER HEAD BASE	1
19	5F6201156	FILLER NECK ADAPTER for GUN	1
20	5F6201546A	FUEL FILLER CAP w/VALVE	1
21	VN0002901300	GROMMET	1
22	5F6201110	PROTECTION BOX BRACKET	4
23	V2MT864793	DZUS PIVOT	2
24	V2MT864791	DZUS CLIP	2
25	_191711487	GROMMET	1
26	5F6201571	PROTECTION BOX	1

* INCLUDES: FROM 1 TO 16 & B

** INCLUDES: 17, 18 & 19

GEARBOX

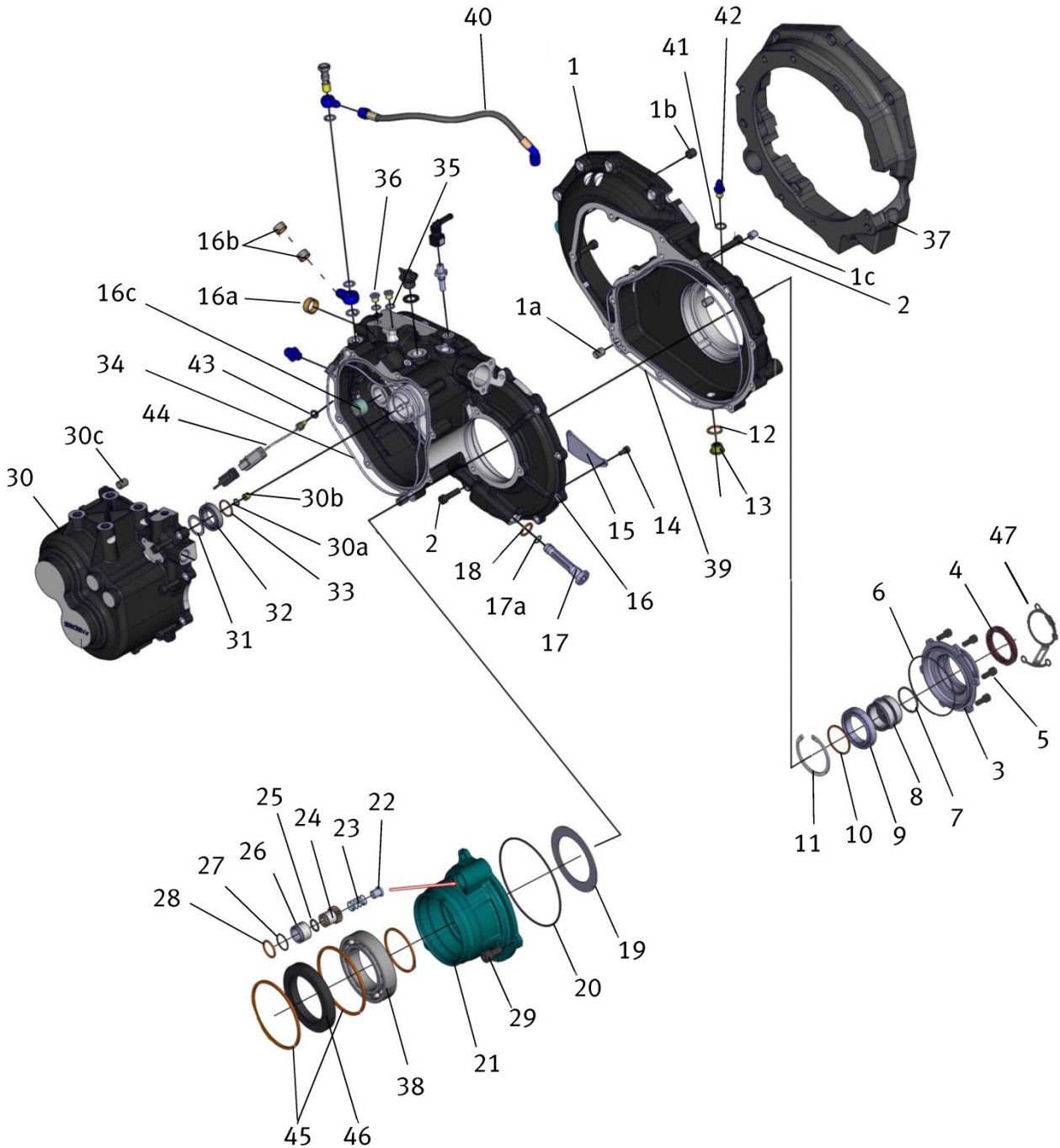


GEARBOX

Pos.	Reference	Description	Qty.
1	5F6300044A	SADEV ST82 GEARBOX -SPARE PART-	1
1 bis*	5F6300045A	SADEV GEARBOX RELATION 15/57 ST82	1
2	VN0000052200	GEARBOX OIL ELF (HTX-755) 5L	1
2 bis	V31748032	RAVENOL RACING GEAR OIL (1L)	1
N/D	5F6398001A	KIT 1 -LIP SEALS-	1
N/D2	5F6398002A	KIT 2 -BEARINGS-	1
N/D3	5F6323045A	GEARS CLARANCE ADJUSTMENT SHIM SET	1

* INCLUDES LEFT FLANGE, DOES NOT INCLUDE SUPPORTS AND RADIATOR

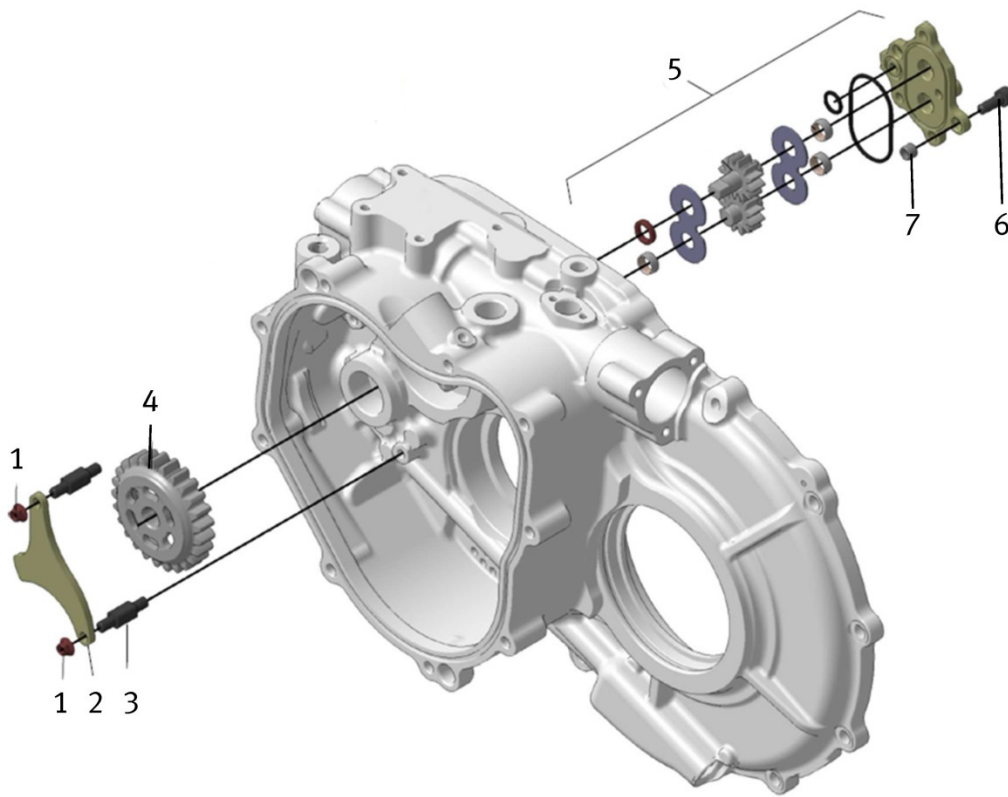
HOUSINGS



HOUSINGS

Pos.	Reference	Description	Qty.
1	5F6301107	CLUTCH HOUSING	1
1a	5F6323172	PIN Ø12X15	2
1b	5F6323172A	PIN Ø10,2X13 (BELL CENTERING)	1
1c	5F6323172B	PIN Ø8,2X11	1
2	5F6311234A	M8X30 10.9 ZN BOLT	24
3	5F6311137	DIF HOUSING	1
4	5F6323044	Ø52X68x8 LIP SEAL	2
5	5F6311234	M8X20 10.9 ZN BOLT	6
6	5F6409133	Ø106x2 O RING	1
7	5F6323046A	Ø41x3 O RING	1
8	5F6323045	CENTERING	1
9	5F6323047	61910 BEARING	1
10	5F6311265	SW Ø50 CIRCLIP	1
11	5F6323049	Ø72 CIRCLIP	1
12	5F6331233	DRAIN PLUG -16,1X23X1-	1
13	5F6331173	MAGNET PLUG	1
14	5F6311234B	M8X12 10.9 BOLT	2
15	5F6325043	DEFLECTOR	1
16	5F6301383	COMPLETE MAIN HOUSING	1
16a	5F6311795	BUSHING	1
16b	5F6311795A	BUSHING	1
16c	5F6311173	BEARING	1
17	5F6301130	OIL FILTER	1
17a	5F6301132	Ø11X1,5 O-RING	1
18	5F6331233	DRAIN PLUG -16,1X23X1-	1
19	5F6301131B	BEARING WASHER	1
20	5F6409123	Ø102x2 O RING	1
21	5F6301164	LEFT FLANGE BEARING HOUSING	1
22	5F6301163	CENTERING	1
23	5F6301329	SPRING	1
24	5F6301161	EXTERNAL PRELOAD TOOL	1
25	5F6301185	O-RING 11X2	1
26	5F6301194	CENTERING EXTERNAL PRELOAD TOOL RACE	1
27	5F6301185A	O-RING 17X1,5	1
28	5F6301193	CIRCLIP Ø20	1
29	5F6311234D	M8X16 12.9 ZN. BOLT	3
30	5F6301103	CLUSTER HOUSING	1
30a	5F6301164A	O-RING 8X2	1
30b	5F6311163	BUSHING	1
30c	5F6323172	PIN Ø12X15	2
31	5F6301299	BARREL GAUGE SET	1
32	5F6301122	BEARING 6195	1
33	5F6301347	CIRCLIP Ø25	1
34	5F6301079	O-RING 214X3	1
35	5F6301360	WASHER 10,3X14X1,5	2
36	5F6301114	PLUG M10X125	2
37	5F6323924	MOUNTING PLATE	1
38	5F6409483	6010 BEARING	1
39	5F6323046	Ø260x2,5 O RING	1
40	5F6323179	HOSE D04	1
41	5F6301314	FITTING M10X10 D04	1
42	5F6311110A	Ø10 (10.7 X 17 X15) WASHER	1
43	VL1A317073	TEMPERATURE SENSOR NUT	1
44	5F6321243	TEMPERATURE SENSOR	1
45	5F6409528	SB80 SEEGER CIRCLIP	2
46	5F6301189	Ø55x80x10 VITON DOUBLE LIP SEAL	1
47	5F6301184A	COVER	1

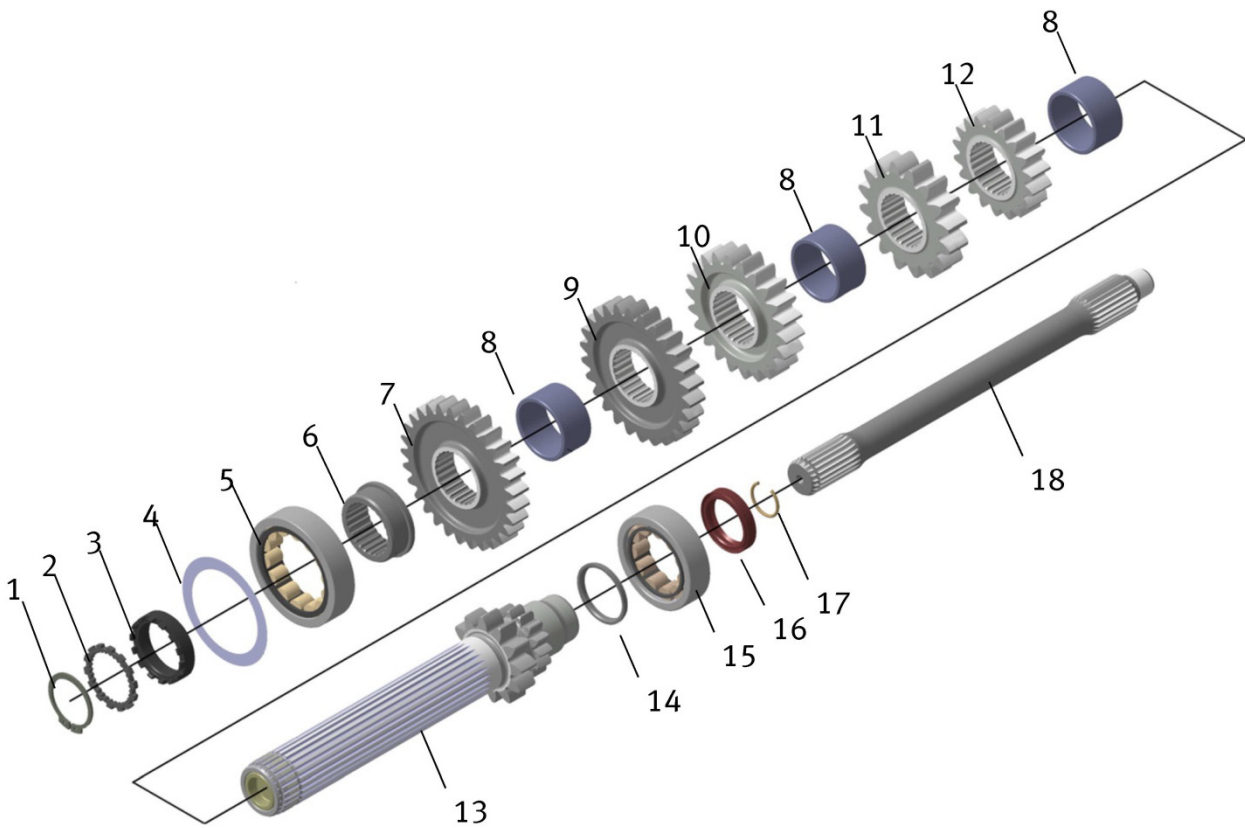
LUBRICATION



LUBRICATION

Pos.	Reference	Description	Qty.
1	5F6311211	M6 NUT	2
2	5F6311213	REVERSE GEAR STOP	1
3	5F6311214	COLUMN	2
4	5F6311215	REVERSE GEAR PINION	1
5	5F6315105	COMPLETE PUMP	1
6	VN0001152818	ALLEN BOLT M6X16 DIN912	1
7	5F6315142	CENTERING PINT Ø8X6 2X6	2

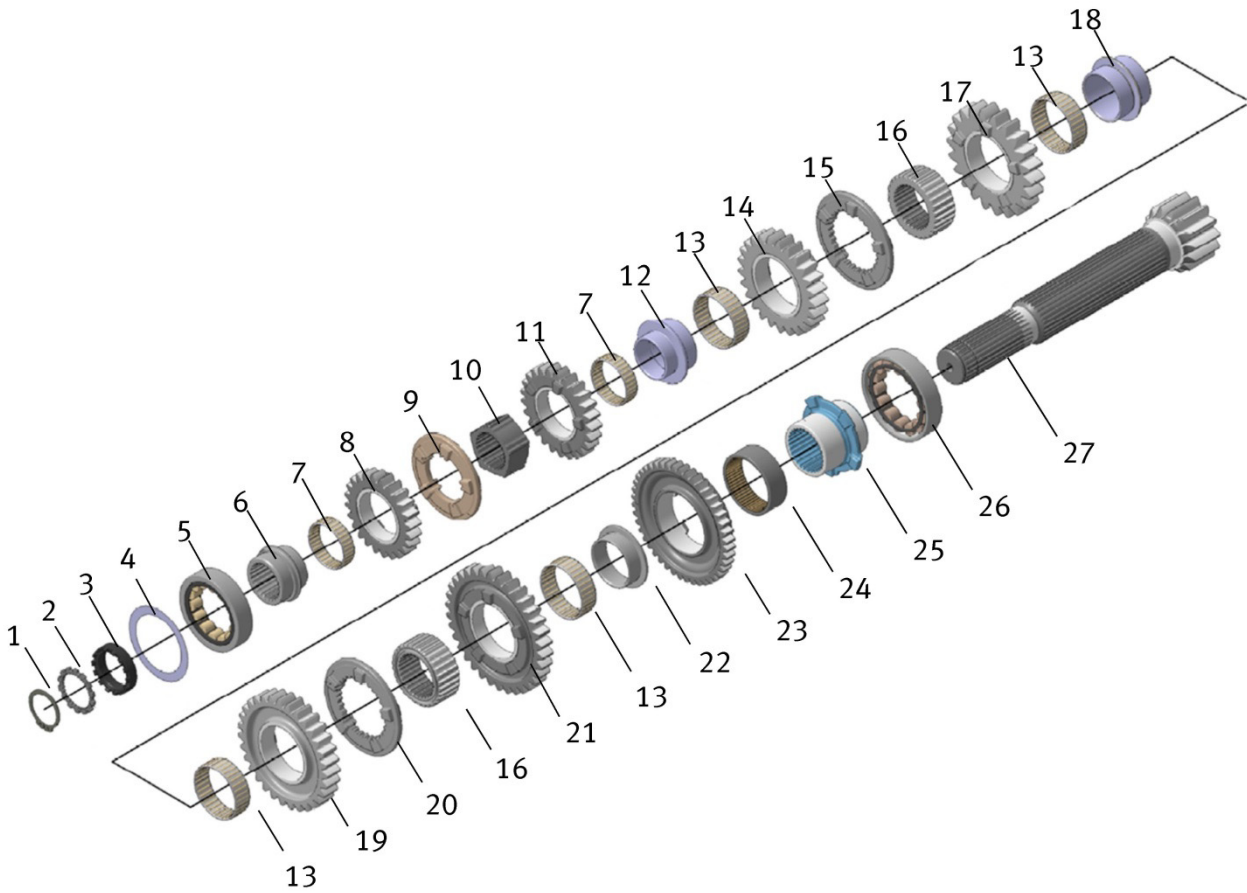
PRIMARY GEARTRAIN



PRIMARY GEARTRAIN

Pos.	Reference	Description	Qty.
1	5F6311091	CIRCLIP Ø33	1
2	5F6311918	NUT STOPPING WASHER	1
3	5F6311718	M35X125 NUT	1
4	5F6301105	PRIMARY LINE GAUGE SET	1
5	5F6301115	BEARING	1
6	5F6311116	SLEEVE	1
7	5F6311349	6th GEAR PINION (29/24)	1
8	5F6311549	PRIMARI GEAR SPACER	2
9	5F6311349A	5th GEAR PINION (26/25)	1
10	5F6311149B	4th GEAR PINION (21/24)	1
11	5F6311149A	3rd GEAR PINION (22/31)	1
12	5F6311149	2nd GEAR PINION (13/23)	1
13	5F6311105	COMPLETE PRIMARY SHAFT	1
14	5F6311169A	RING	1
15	5F6323726	BEARING	1
16	5F6311467	Ø30X40X7 LIP SEAL	1
17	5F6311467A	Ø2X19.5 SPRING RING	1
18	5F6301051	INPUT SHAFT	1

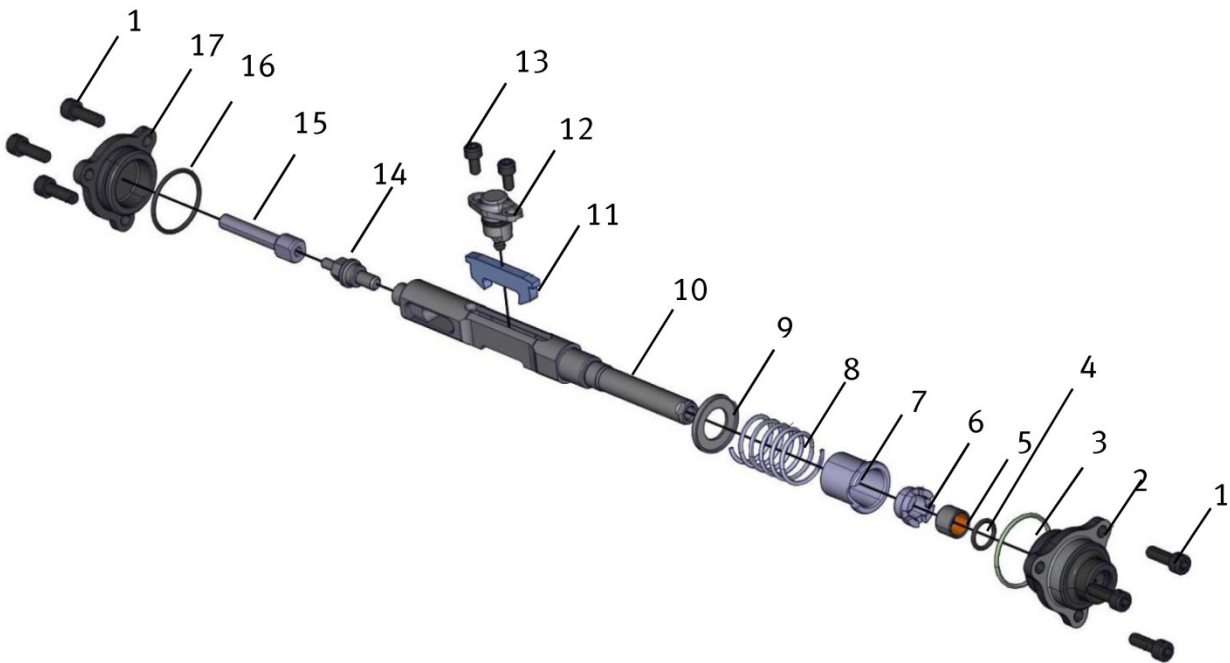
SECONDARY GEARTRAIN



SECONDARY GEARTRAIN

Pos.	Reference	Description	Qty.
1	5F6311091	CIRCLIP Ø33	1
2	5F6311918	NUT STOPPING WASHER	1
3	5F6311718	M35X125 NUT	1
4	5F6301105	PRIMARY LINE GAUGE SET	1
5	5F6301115	BEARING	1
6	5F6311140	6th GEAR INNER RACE	1
7	5F6311141	K40X45X13 BEARING	2
8	5F6311349	6th GEAR PINION (29/24)	1
9	5F6311081	DOG RING	1
10	5F6311079	DOG RING HUB	1
11	5F6311349A	5th GEAR PINION (26/25)	1
12	5F6311138	4th-5th GEAR INNER RACE	1
13	5F6311115	K47X52X17 BEARING	4
14	5F6311149B	4th GEAR PINION (21/24)	1
15	5F6311081A	DOG RING	2
16	5F6311079A	DOG RING HUB	1
17	5F6311149A	3rd GEAR PINION (22/31)	1
18	5F6311138A	2nd/3rd GEAR INNER RACE	1
19	5F6311149	2nd GEAR PINION (13/23)	1
20	5F6311079B	DOG RING HUB	1
21	5F6311105	COMPLETE PRIMARY SHAFT	1
22	5F6311140A	1st GEAR INNER RACE	1
23	5F6311503	REVERSE GEAR PINION	1
24	5F6323851	HK 5020 BEARING	1
25	5F6311140B	REVERSE GEAR DOG RING	1
26	5F6323851A	MACHINED NJ208 BEARING	1
27	5F6311019	FINAL DRIVE + AXLE - 15 / 57	1

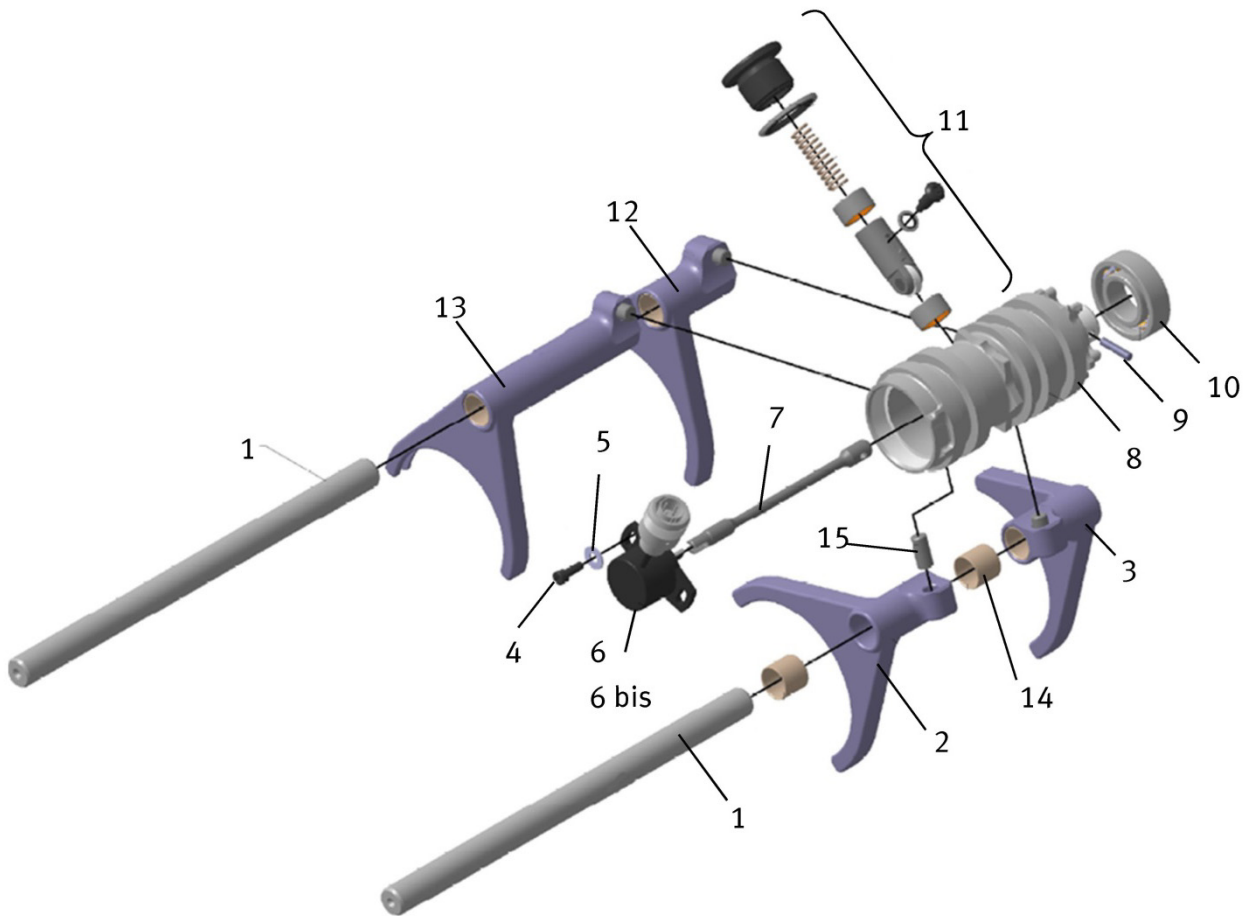
MANUAL SELECTOR AXLE



MANUAL SELECTOR AXLE

Pos.	Reference	Description	Qty.
1	5F6974357	M6X18 CHc MACHINED SCREW	6
2	5F6974355	SELECTOR CLOSING BLOCK	1
3	5F6305107A	Ø34X2 O-RING	1
4	5F6305107	Ø12X2 O-RING	1
5	5F6305100	PAP1210 P10 BUSHING	1
6	5F6974359	SELECTOR M13X100 NUT	1
7	5F6315220	SELECTOR BUSHING	1
8	5F6301217	SELECTOR SPRING	1
9	5F6301131	SELECTOR WASHER	1
10	5F6313531	SELECTOR AXLE	1
11	5F6311464	DUAL PIN ROCK	1
12	5F6313584	COMPLETE DUAL PIN ROCK PUSHER	1
13	5F6313588	M5X10 CI12.9 ZN CHc BOLT	2
14	5F6313587A	SELECTOR AXLE BOLT	1
15	5F6313587	MAGNET EQUIPED AXLE EXTENSION	1
16	5F6311469	O-RING Ø29X2	1
17	5F6301133	POWER SHIFT WASHER	1

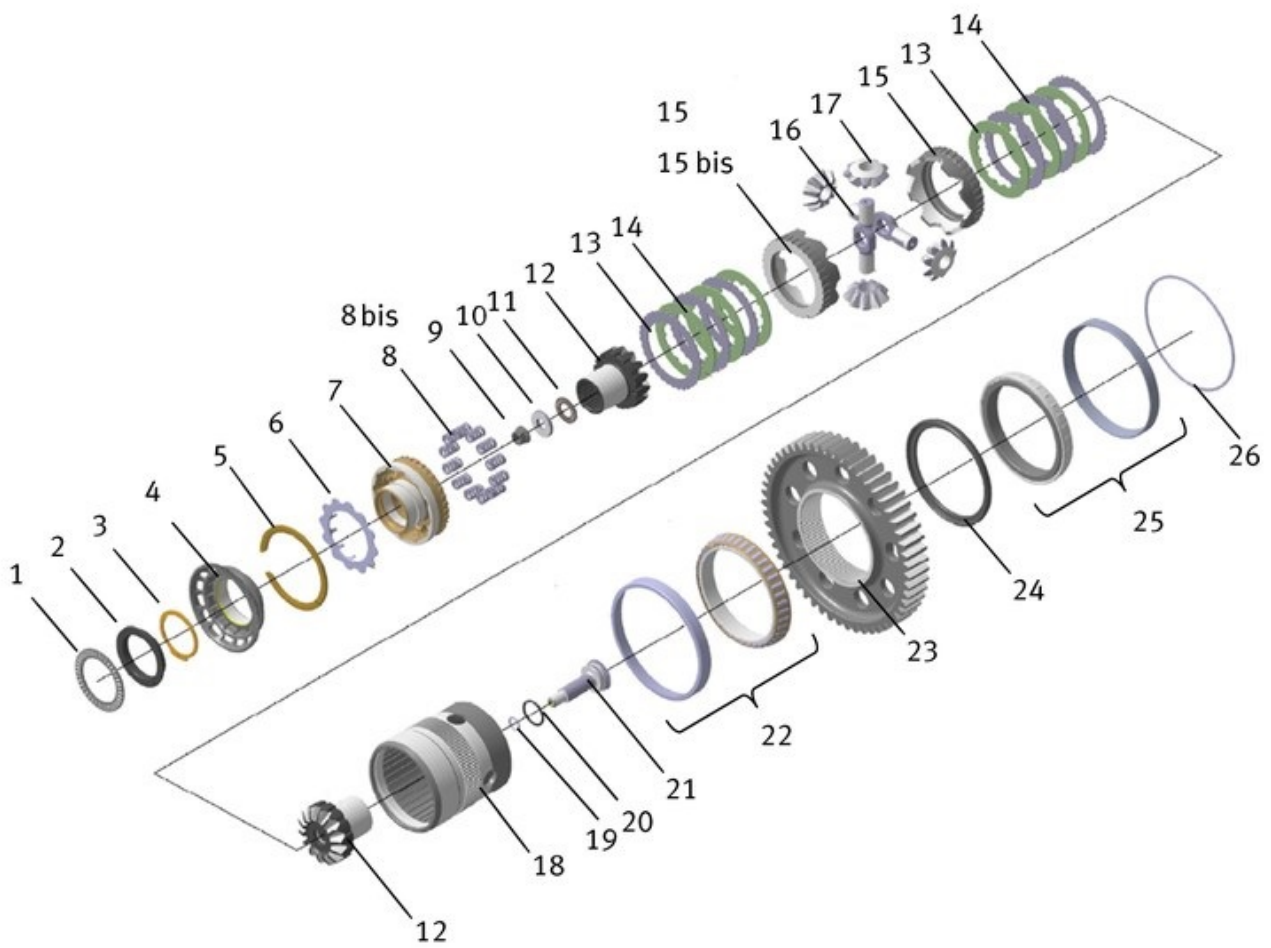
GEAR SELECTOR



GEAR SELECTOR

Pos.	Reference	Description	Qty.
1	5F6301955	FORK AXLE	2
2	5F6311602	COMPLETE 3-4 FORK	1
3	5F6311602A	COMPLETE REVERSE FORK	1
4	5F6321373	M4X10 CI 12.9 ZN CHc BOLT	2
5	5F6321236	Ø4 WASHER	2
6	5F6919093	SADEV POTENTIOMETER	1
6 bis	5F6919093A	SADEV POTENTIOMETER ST82	1
7	5F6313589	POTENTIOMETRE AXLE	1
8	5F6311360	BARREL	1
9	5F6313581B	POTENTIOMETRE AXLE PIN	1
10	5F6323725	6004 BEARING	1
11	5F6301220	COMPLETE INDEXOR	1
12	5F6311602D	COMPLETE 1-2 FORK	1
13	5F6311602C	COMPLETE 5-6 FORK	1
14	5F6323165A	PAP1515 P10 BUSHING	6
15	5F6313582	SELECTOR PIN	4

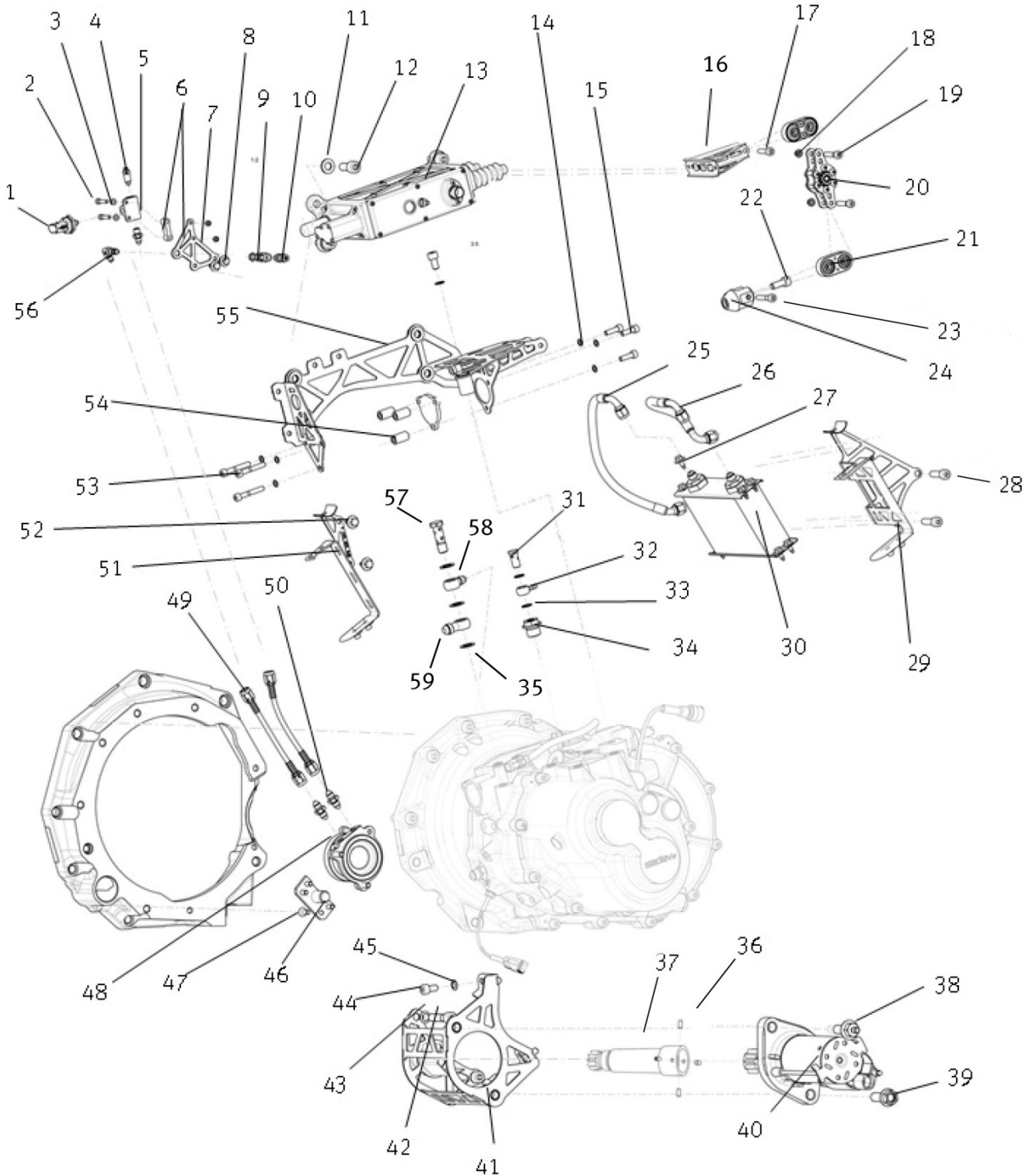
DIFFERENTIAL



DIFFERENTIAL

Pos.	Reference	Description	Qty.
1	5F6323381	AXK 5070 BEARING	1
2	5F6323386	BEARING WASHER	1
3	5F6323386A	CIRCLIP Ø50	1
4	5F6323033	PRELOAD ADJUSTMENT NUT	1
5	5F6323457	MECHANIZED CIRCLIP Ø90	1
6	5F6323035	LOCK RING	1
7	5F6323048	DIFERENTIAL END CAP	1
8	5F6323376	PRELOAD SPRINGS 0-100 Nm	12
8 bis	5F6323376 A	PRELOAD SPRINGS 50-150 Nm	1
9	5F6323050	M12X125 K-NUT	1
10	5F6323377	SPACER	1
11	5F6323013	AXK 1730 BEARING	1
12	5F6311098	SUN GEAR	2
13	5F6323037	1.50mm CORE DISC	6
14	5F6323040	1.50mm FRICTION DISC	6
15	5F6409104C	DIFFERENTIAL RAMPS 30/60 + 30/45	1
15 bis	5F6409104D	DIFFERENTIAL RAMP 30/35	1
16	5F6323095	PLANET GEAR AXLE	2
17	5F6311092	PLANET GEAR	4
18	5F6323042	DIFFERENTIAL HOUSING	1
19	5F6323045A	GEARS CLEARANCE ADJUSTEMENT SHIM SET	1
20	5F6323045B	Ø25 X 2.5 O-RING	1
21	5F6311233	SUN GEAR BOLT	1
22	5F6323383	EC 12775 BEARING	1
23	5F6311019	FINAL DRIVE + AXLE - 15 / 57	1
24	5F6323038	CROWNWHEEL SPACER	1
25	5F6323385	EC 12218 BEARING	1
26	5F6323038A	BEARING GAUGE SET	1

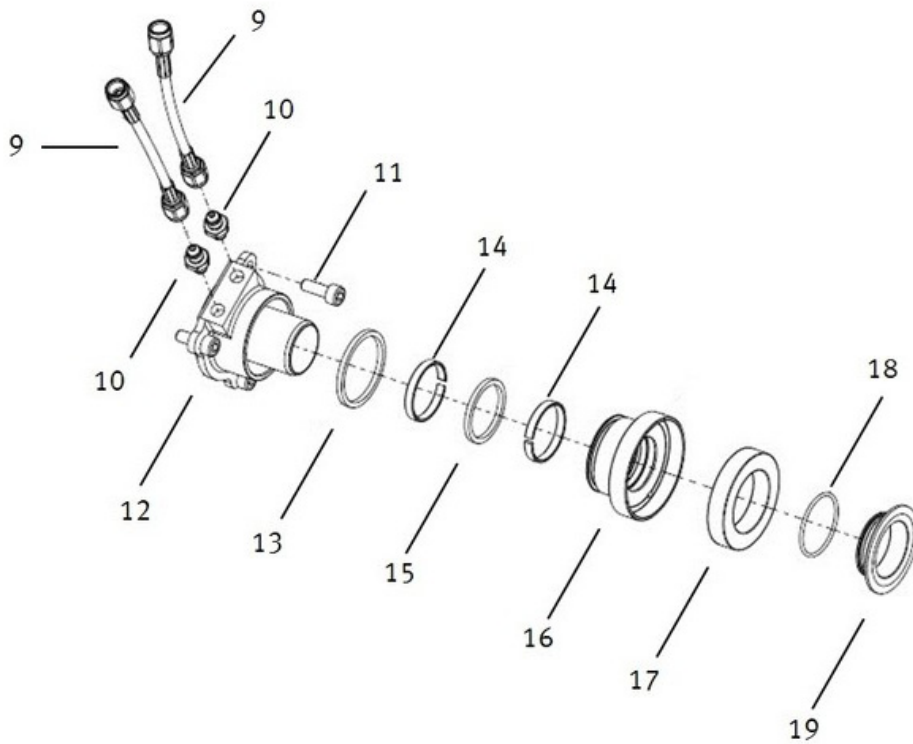
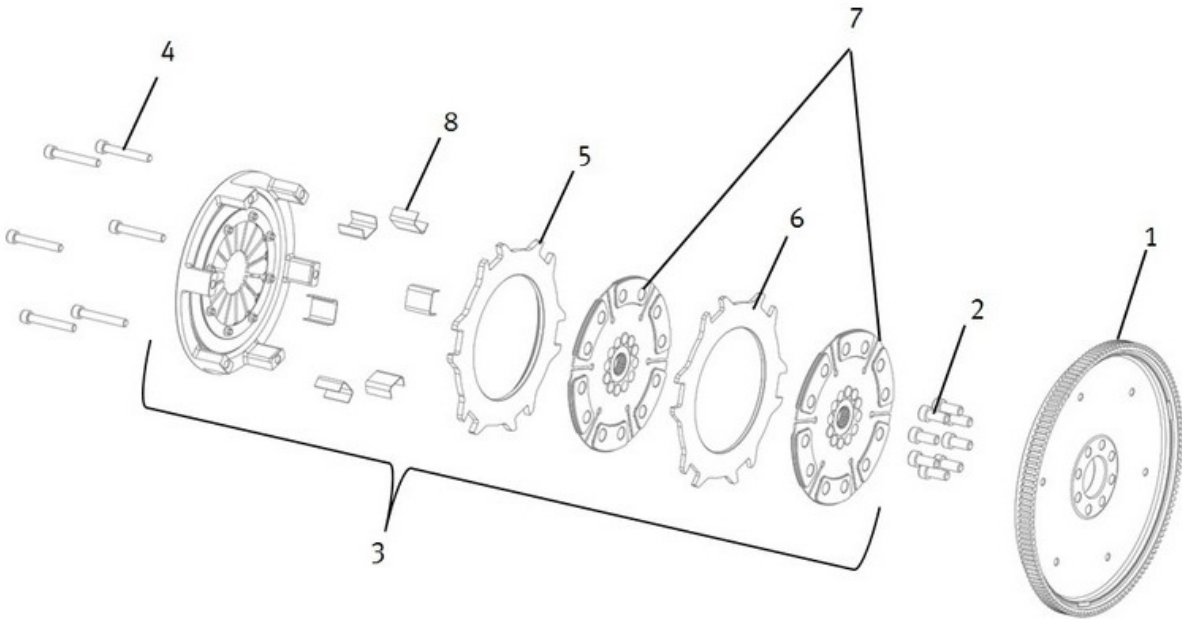
SUPPORTS & ACTUATORS



SUPPORTS & ACTUATORS

Pos.	Reference	Description	Qty.
1	_06J906051C	PRESSURE SENSOR 140 bars	1
2	VN0001149239	ALLEN BOLT PAV 12.9 M5X25DIN912	2
3	VN0002000610	FLAT WASHER ZN. Ø5 DIN125	2
4	V131615274	DRAIN-VALVE M10X100	1
5	VN0005185400	T RACCORD M10X100	1
6	5F6141291	BRACKET (G) -CLUTCH HOSES SUPPORT-	1
7	VN0003090310	SELFLOCKING NUT M5 DIN985 ZN.	2
8	VN0001152839	ALLEN BOLT M6X16 DIN912 12,9 PAV.	2
9	VN0005185400	T RACCORD M10X100	1
10	VN0005280000	QUICK RELEASE ALUMINUM DASH 3 FEMALE ODV	1
11	VN0002001039	FLAT WASHER Ø10 DIN125	4
12	VN0001161239	ALLEN BOLT CIL.PAV.12.9 M10X25DIN912	4
13	5F6910109	GEARBOX ACTUATOR XAP	1
14	VN0002150400	PRESSED TYPE WASHER Ø6,2X10 DIN W-493	6
15	VN0001153039	ALLEN BOLT M6X20 DIN912 12.9 PAV.	3
16	5F6711052A	ACTUATOR EXTENSION ST82	1
17	VN0001153039	ALLEN BOLT M6X20 DIN912 12.9 PAV.	1
18	VN0003220400	CADMIUM AVIATION NUT 6C M6	4
19	VN0001157039	ALLEN BOLT M8X20 DIN912 12,9 PAV	2
20	5F6711205	GEARSHIFT GUIDE (Z)	1
21	5F6711201	RELAY LEVER (Z)	2
22	VN0001157039	ALLEN BOLT M8X20 DIN912 12,9 PAV	1
23	VN0001153439	CIL. ALLEN 12.9 BOLT PAV. M6X35DIN912	1
24	5F6311552	CLEVIS -ST82 GEARSHIFT SELECTOR-	1
25	5F6325824	RADIATOR INLET PIPE -ST82-	1
26	5F6325823	RADIATOR OUTLET PIPE -ST82-	1
27	_N_10098811	HEXAGON SCREW WITH FLANGE M6x16	12
28	VN0001819439	ALLEN BOLT PAV.12.9 M6X16 DIN7991	4
29	5F6325167	BRACKET, RADIATOR	1
30	VL1A409061	OIL RADIATOR	1
31	V2MT331278	BANJO BOLT 3/8"-24 UNFX20MM	1
32	VN0005016100	BANJO Ø3/8" FOR TUBE	1
33	VN0002260100	ALUMINIUM WASHER 10 X 14 X 1,5	2
34	5F6311791	GEARBOX VENTILATION PLUG	1
35	VN0002347000	COOPER WASHER Ø13 X 18 DIN7603	3
36	5F6911094A	FASTENING ELEMENT	5
37	5F6911083B	BRACKET-EXTENSION STARTER ENGINE-	1
38	5F6911094	FASTENING ELEMENT	1
39	_N_91106901	HEXAGONAL BOLT M12X35	1
40	5F6911021	STARTER 1.1 KW	1
41	5F6317827C	STARTER BRACKET (G)	1
42	VN0001161639	ALLEN BOLT M10X150X45 DIN912 12,9 PAV.	2
43	VN0002150700	PRESSED TYPE WASHER Ø10,5X16	2
44	VN0001159639	ALLEN BOLT M8X15 DIN912 12.9 PAV.	4
45	VN0002150600	PRESSED TYPE WASHER Ø8,5X13	4
46	5F6911127A	BASE PLATE -AXLE STARTER SUPPORT-	1
47	VN0001819439	ALLEN BOLT PAV.12.9 M6X16 DIN7991	4
48	5F6141671	CLUTCH SLAVE CYLINDER	1
49	5F6141480A	RETURN PRESSURE LINE -CLUTCH- (Z)	2
50	VN0005175700	ADAPTER MALE O3D - MALE O3D	2
51	5F6325324A	BRACKET RADIATOR(G)-ST82 OIL RADIAT.SUP.	1
52	VN0001153539	ALLEN BOLT M6X40DIN912	2
53	VN0001149439	ALLEN BOLT 12.9 M5x35 DIN912	6
54	5F6325523C	CENTERING SLEEVE -FRONT ACTUATOR SUP.-	3
55	5F6325827C	ACTUATOR BRACKET	1
56	VN0005163700	TUBE 90° JIC MALE-MALE ALUM. BLUE D03	1
57	VN0005008800	BANJO M12x1 L=38mm	1
58	VN0005003300	ALUMINIUM BANJO Ø12-04D-MALE	1
59	VN0005003400	ALUMINIUM BANJO Ø14-06D-MALE	1

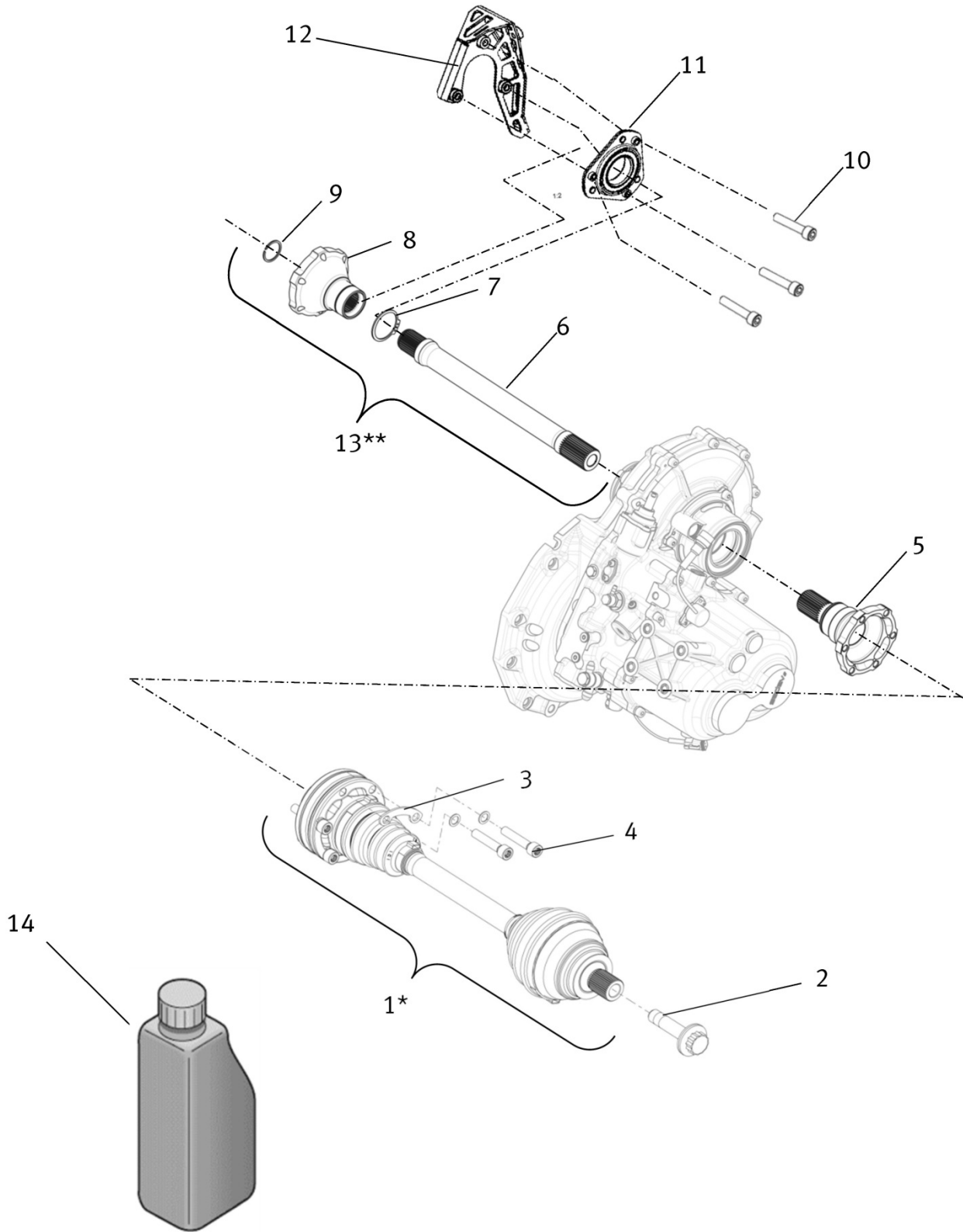
CLUTCH



CLUTCH

Pos.	Reference	Description	Qty.
1	5F6105266D	FLYWHEEL (G)	1
2	_N_90665001	FLY WHEEL BOLT	8
3	5F6141015	CERAMIC DOUBLE DISC CLUTCH (AP) (Z)	1
4	VN0001157839	ALLEN HEAD BOLT M8X55 DIN912	6
5	5F6141085	MAIN PRESSURE PLATE	1
6	5F6141085A	INTERMEDIATE PRESSURE PLATE	1
7	5F6141039	CLUTCH DISC	2
8	5F6141095	WEAR CLIPS	6
9	5F6141480A	CLUTCH PIPE 03D	2
10	VN0005175700	ADPATER MALE 03D-MALE 03D	2
11	VN0001152839	ALLEN BOLTPAV 12,9 M6X16 DIN 912	3
12	5F6141673	CONCENTRIC SLAVE	1
13	V2MT301093	EXTERNAL O-RING SQUARE SECTION	1
14	V4PT301057	GUIDE RING SF 35/38/5,5 (PTFE+BRONZE)	2
15	V2MT301091	INTERNAL O-RING SQUARE SECTION	1
16	V4PT301036D	PISTON	1
17	VN0010471700	BEARING 40/62/12 SKF 61908-RZ	1
18	VN0002513600	O-RING NBE 37X2	1
19	V6PT301099	RRB DIAPHRAGM PUSHER	1

DRIVESHAFT



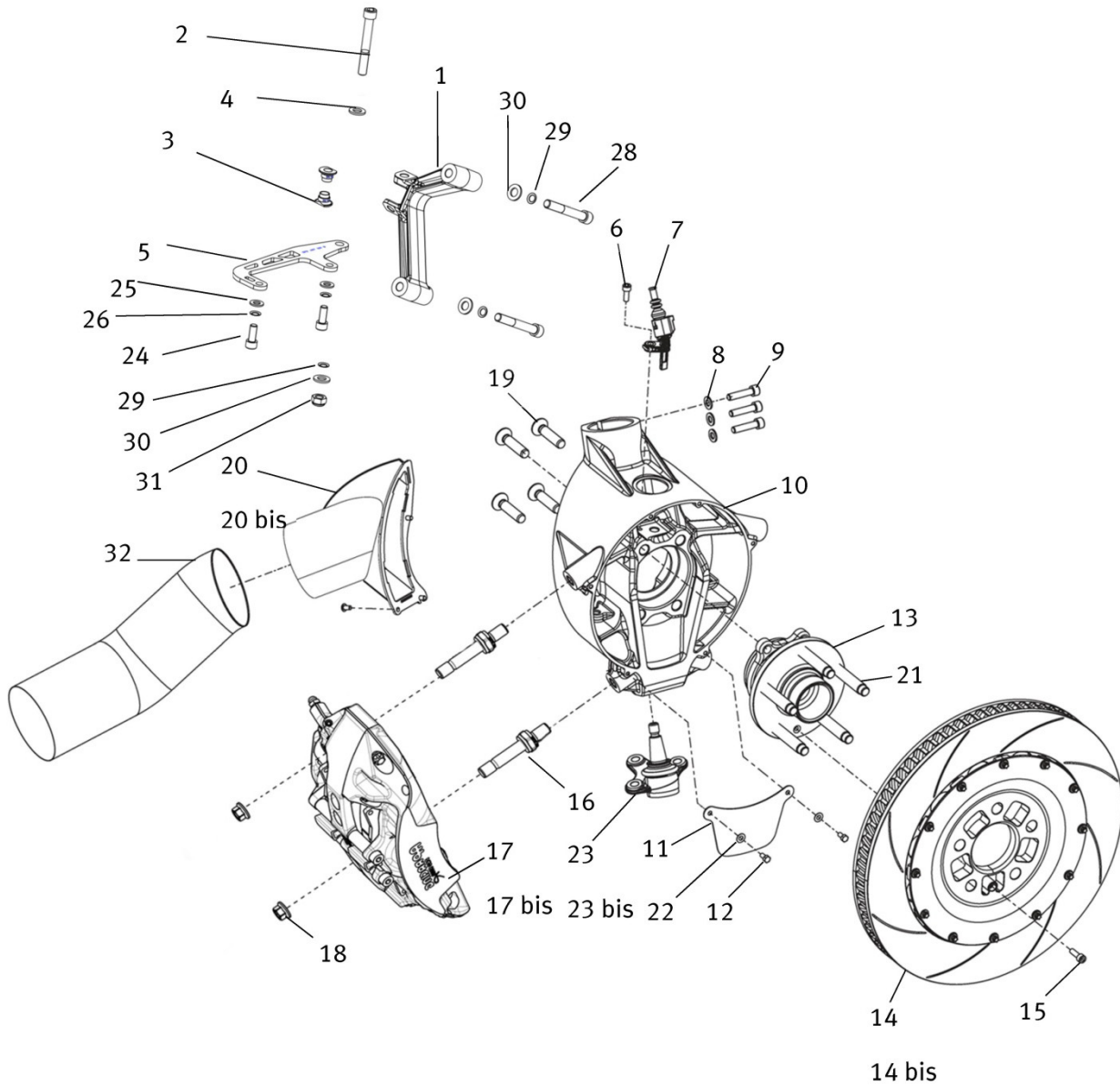
DRIVESHAFT

Pos.	Reference	Description	Qty.
1*	_3Q0407271F	DRIVESHAFT	2
2	_WHT005437	DODECAGONAL HEAD BOLT M16X1.5X70	2
3	_1K0407357D	SPACER	6
4	_N_90991102	SOCKET HEAD BOLT WITH INNER M10X52	12
5	5F6409355B	LEFT FLANGE SHAFT -SADEV 2016-	1
6	5F6407280A	RELAY SHAFT	1
7	5F6407340	CLAMP FITTING	1
8	5F6409356	RIGHT FLANGE SHAFT -SADEV 2016-	1
9	5F6407338	CLAMP FITTING	1
10	_N_0195024	HEXAGON FLANGE BOLT M8X25	3
11	_1K0407516A	BEARING	1
12	5F6407103A	SUPPORT	1
13**	5F6407521A	INTERMEDIATE SHAFT (Z)	1
14	VN0000040401	C.V. JOINT GREASE 300 Gr.	1

* IT DOES NOT INCLUDE REFS. 2,3,4

** IT INCLUDES REFS. 6,7,8,9

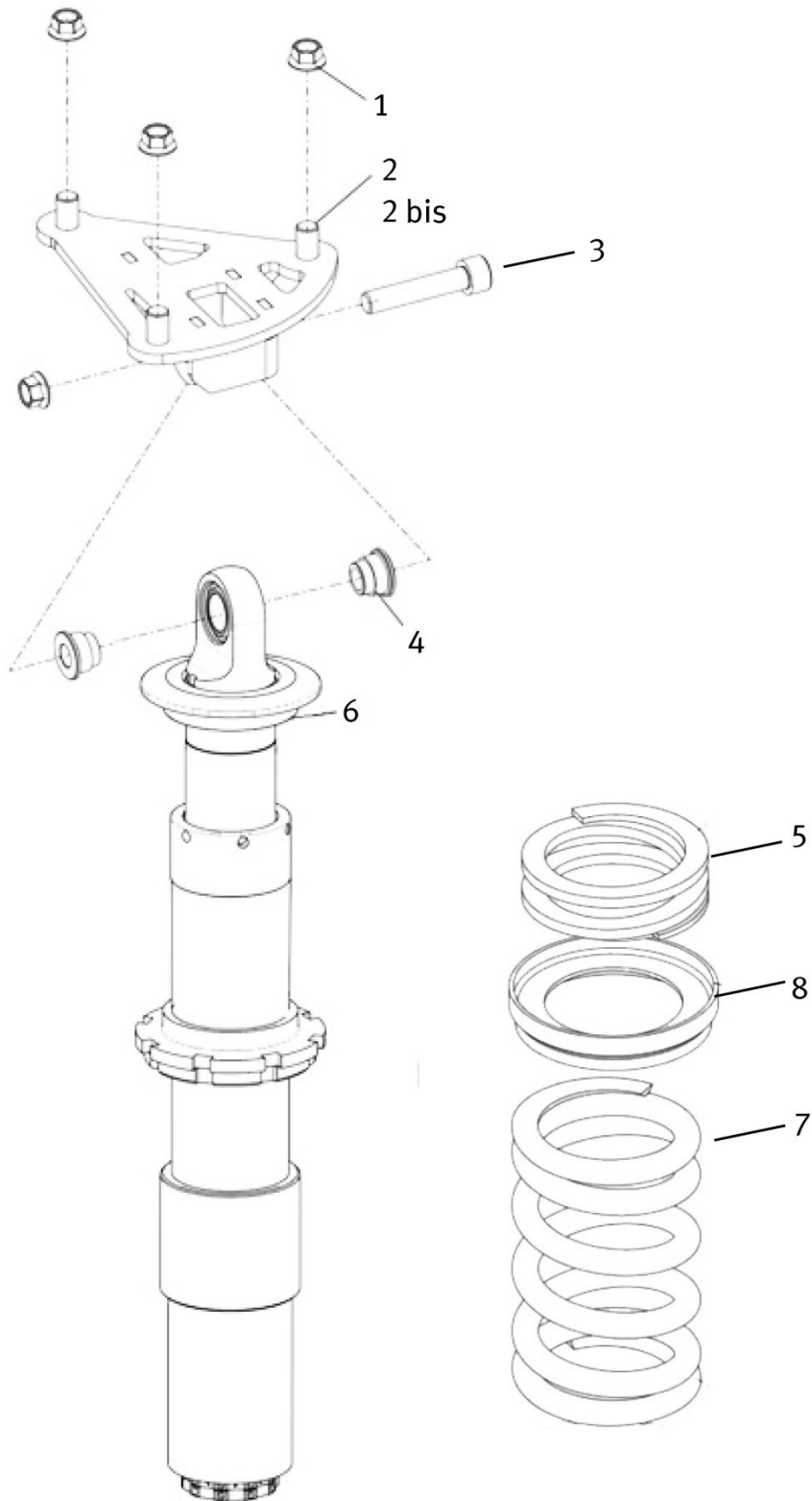
FRONT UPRIGHT AND HUB



FRONT UPRIGHT AND HUB

Pos.	Reference	Description	Qty.
1	5F6407839C	STEERING HANDLE (Z) 2016	2
2	5F6407137	STEERING HANDLE FIXATION SCREW	2
3	5F6419775	BUSH	4
4	VN0002081130	WASHER	2
5	5f6407130B	REINFORCEMENT -STEERING HANDLE 2016-	4
6	_N_01474011	HEXAGONAL HEAD NUT M6X16	2
7	_WHT003856	FRONT WHEEL SPEED SENSOR	2
8	VN0002150600	PRESSED TYPE WASHER Ø8,5X13	6
9	VN0001157439	ALLEN BOLT M8X30 DIN912 12,9 PAV.	6
10	5F6407251	UPRIGHT / HUB ASSEMBLY (L/R)	2
11	V3FL615311A	THERMAL PROTECTION PLATE	2
12	VN0001148539	ALLEN BOLT M5X10DIN912	4
13	5F6407614	WHEEL HUB ASSEMBLY	2
14	5F6615297C	COMPLETE LEFT FRONT BRAKE DISC Ø378X34	1
14 bis	5F6615298C	COMPLETE RIGHT FRONT BRAKE DISC Ø378X34	1
15	VN0001153216	ALLEN BOLT M6X25 DIN912 8.8 ZN.	2
16	5F6615421	BRAKE CALIPER ADAPTER -RADICAL-	4
17	5F6615105A	BRAKE CALIPER FRONT LEFT	1
17 bis	5F6615106A	BRAKE CALIPER FRONT RIGHT	4
18	VN0003221200	K-NUT M12	4
19	_WHT000237	BOLT M12x45	4
20	5F6615393	AIR DUCT ELEMENT	1
20 bis	5F6615394	AIR DUCT ELEMENT	1
21	5F6601295	WHEEL STUD	10
22	VN0002150300	PRESSED TYPE WASHER Ø5,2X9	4
23	V3FL407365	GUIDE JOINT LEFT	1
23 bis	V3FL407366	GUIDE JOINT RIGHT	1
24	VN0001161039	ALLEN HEAD BOLT 12.9 M10X20DIN912	4
25	VN0002001010	WASHER Ø10 DIN125 ZN.	4
26	VN0002150700	PRESSED TYPE WASHER Ø10,5X16	4
28	VN0001166539	BOLT ALLEN CIL PAV 12.9 M12X90DIN912	4
29	VN0002150800	PRESSED TYPE WASHER Ø13X18	4
30	VN0002001139	FLAT WASHER Ø12 DIN125	4
31	VN0003090825	NUT M12 DIN985	2
32	5F6615357	BOOT -880mm-	2

FRONT SHOCK ABSORBER

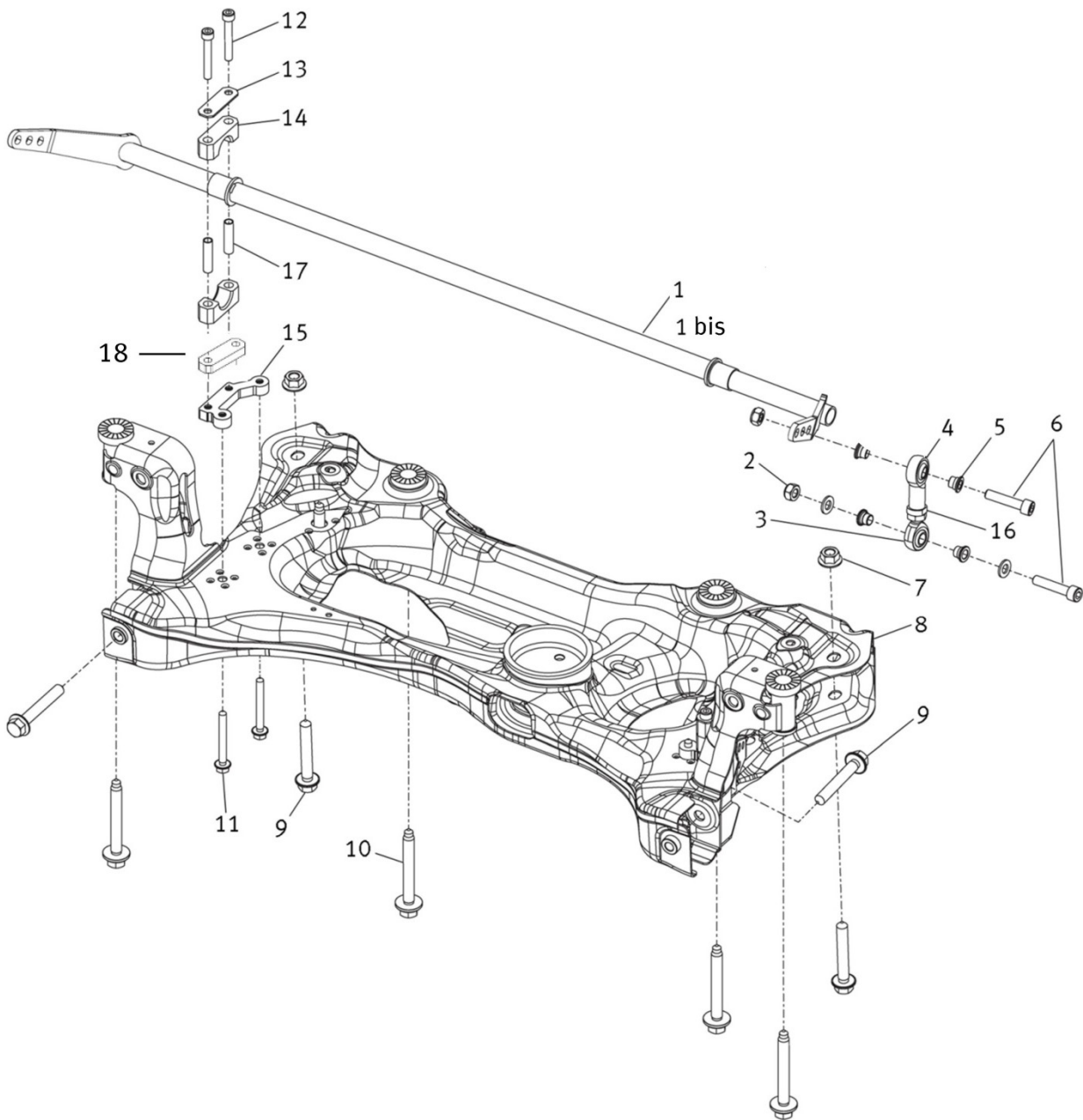


FRONT SHOCK ABSORBER

Pos.	Reference	Description	Qty.
1	VN0003221000	AVIATION'S NUT M10	8
2	V3FL412331A	LEFT FRONT SHOCK ABSORVER FIXATION	1
2 bis	V3FL412332A	RIGHT FRONT SHOCK ABSORVER FIXATION	1
3	VN0001161739	ALLEN BOLT M10X50 DIN912 12.9 PAV.	2
4	5F6412099	BUSH	4
5	VN0020018100	TENDER SPRING 60-60-002	2
6	5F6413031B	FRONT SHOCK ABSORBER	2
7	5F6411105	SPRING 170-60-70	2
7 bis	5F6411105A	SPRING 170-60-80	2
7bis2*	8S6411105B	SPING 170-60-110	2
7 bis3	8S6411105A	SPING 170-60-100	2
7 bis4	8S6411105C	SPING 170-60-120	2
8	V2MT411113C	SPRING SPACER Ø80mm.	2
N/D	5F6498969	HOOK WRENCH DAMPERS	1
N/D2	5F6498970	ADJUSTER PIN FRONT DAMPER	1

* SERIAL SPRING

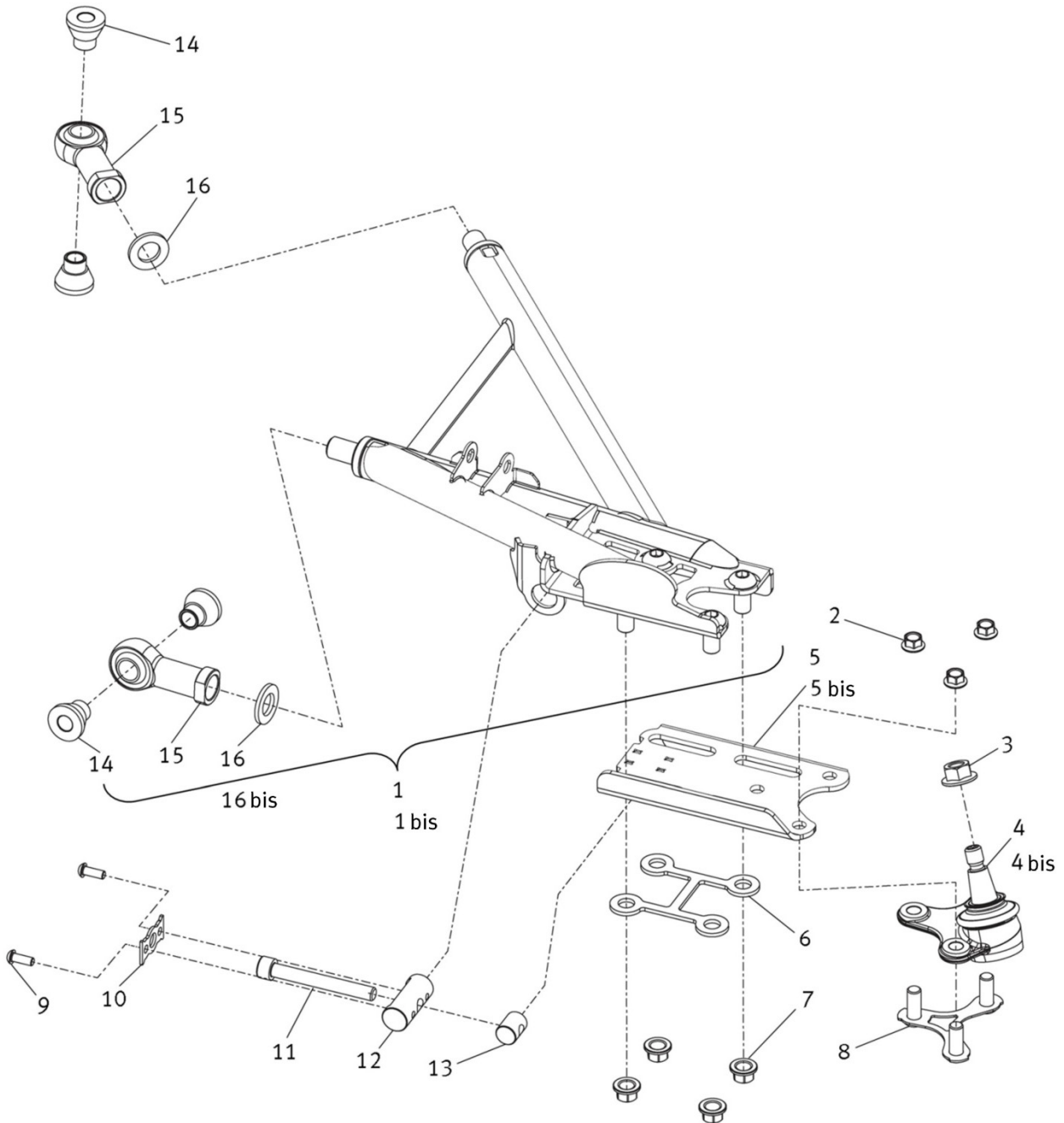
FRONT SUBFRAME



FRONT SUBFRAME

Pos.	Reference	Description	Qty.
1	V3FL411303	ARB ASSEMBLY AV Ø22X3	1
1 bis	V3FL411303A	ARB ASSEMBLY AV Ø22X2 (G)	1
2	VN0003221000	AVIATION'S NUT M10	4
3	VN0005401212	FEMALE BALL JOINT Ø12X1,75 RIGHT -TEFLON	2
4	VN0005401012	MALE BALL JOINT Ø12X1,75 RIGHT -TEFLON	2
5	V3FL411387A	BALL JOINT SPACER	8
6	VN0001161639	ALLEN BOLT M10X150X45 DIN912 12,9 PAV.	4
7	_N_10106402	HEXAGON COLLAR NUT SELF-LOCKING M12X1,5	2
8	5F6199313	FRONT SUBFRAME ASSEMBLY	1
9	_N_10640501	BOLT, HEX.HD.WITH SHOULD. M12X1,5X80	4
10	_N_10785401	HEXAGON FLANGE SCREW (COMBI) M12X1,5X95	4
11	_N_10690201	HEXAG. BOLT M8X70	4
12	5F6423131	SCREW	4
13	V3FL511456	ANTI ROLL BAR SUPPORT PLATE	2
14	V3FL511453	ANTI ROLL BAR SUPPORT	2
15	5F6411175A	ARB AV SPACER SADEV	2
16	VN0003060318	NUT PAV. 12.9 M12 DIN 936	2
17	5F6411325B	ARB SUPPORT SPACER	4
18	5F6411143	PACKING -10mm- -SADEV-	2

WISHBONE

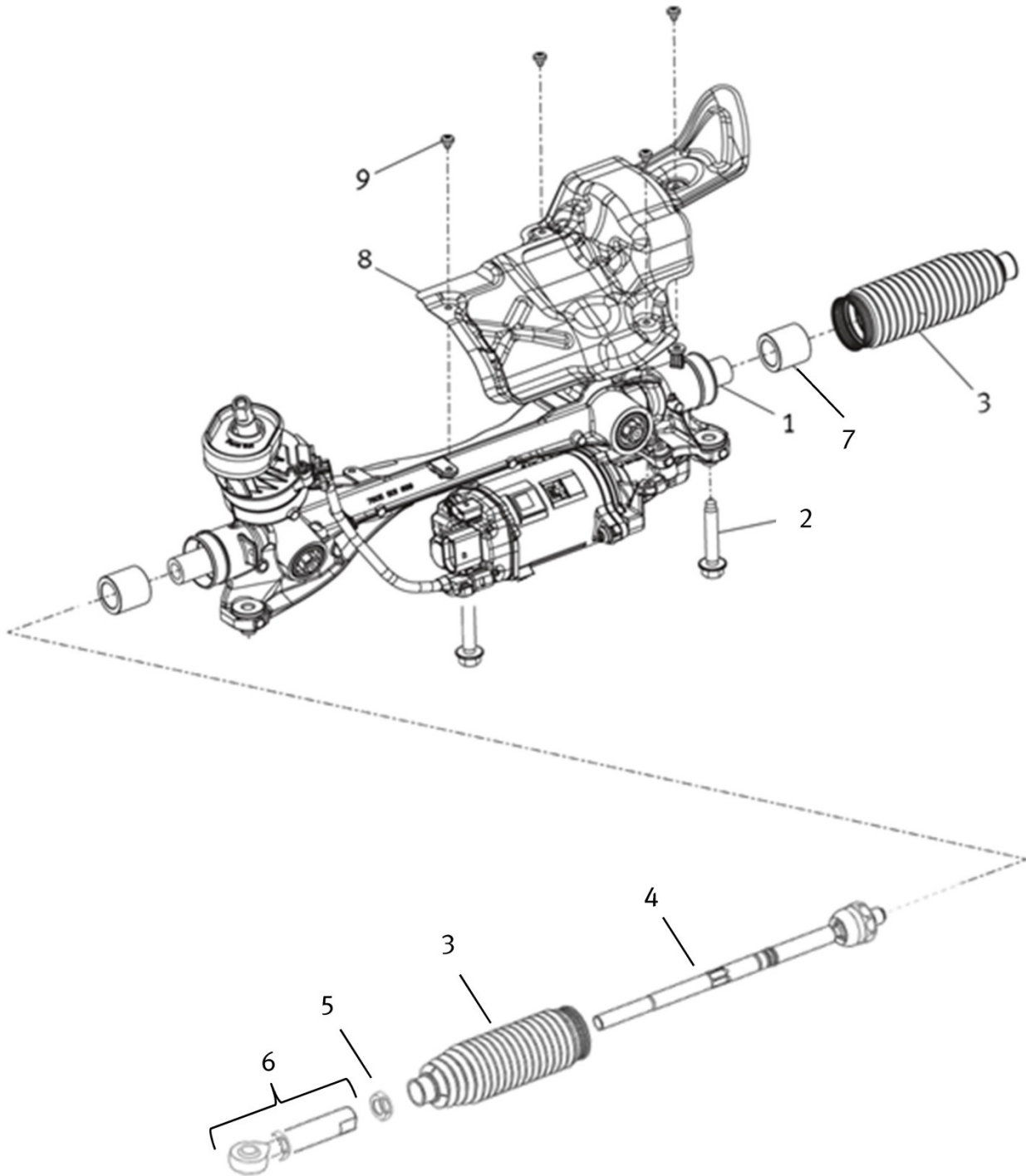


WISHBONE

Pos.	Reference	Description	Qty.
1*	5F6407153	WHISBONE WITH BALL JOINTS	1
1 bis*	5F6407154	WHISBONE WITH BALL JOINTS	1
2	VN0003221000	AVIATION'S NUT M10	6
3	_WHT000785A	FLAT HEXAG. NUT M12X1.5	2
4	V3FL407365	GUIDE JOINT LEFT	1
4 bis	V3FL407366	GUIDE JOINT RIGHT	1
5	5F6407189	ARM CAMBER PLATE LEFT ASSY.	1
5 bis	5F6407190	ARM CAMBER PLATE RIGHT ASSY.	1
6	V3FL407323	REGULATION PLATE	2
7	VN0003221200	K-NUT M12	8
8	5f6407178	GUIDE JOINT PLATE ASSY. -AV- (G)	2
9	VN0001905939	ALLEN BOLT PAV. 12.9M6X15ISO7380	4
10	V3FL407478	REGULATION SCREW FIXATION PLATE	2
11	VN0001021039	ALLEN BOLT M10X80 DIN912 12,9 PAV.	2
12	V3FL407477	REGULATION FIXED SPACER	2
13	V3FL407476	REGULATION MOBIL SPACER	2
14	5F6407371	SPHERICAL BEARING SPACER	8
15	VN0005401616	FEMALE BALL JOINT Ø16X1,50 RIGHT	4
16	VN0002052639	ADJUST WASHER 12.9 Ø16E=0,2 DIN988	4
16 bis	VN0002056339	ADJUST WASHER 12.9 Ø16E=0,3 DIN988	4

* INCLUDES REFERENCES 15, 16

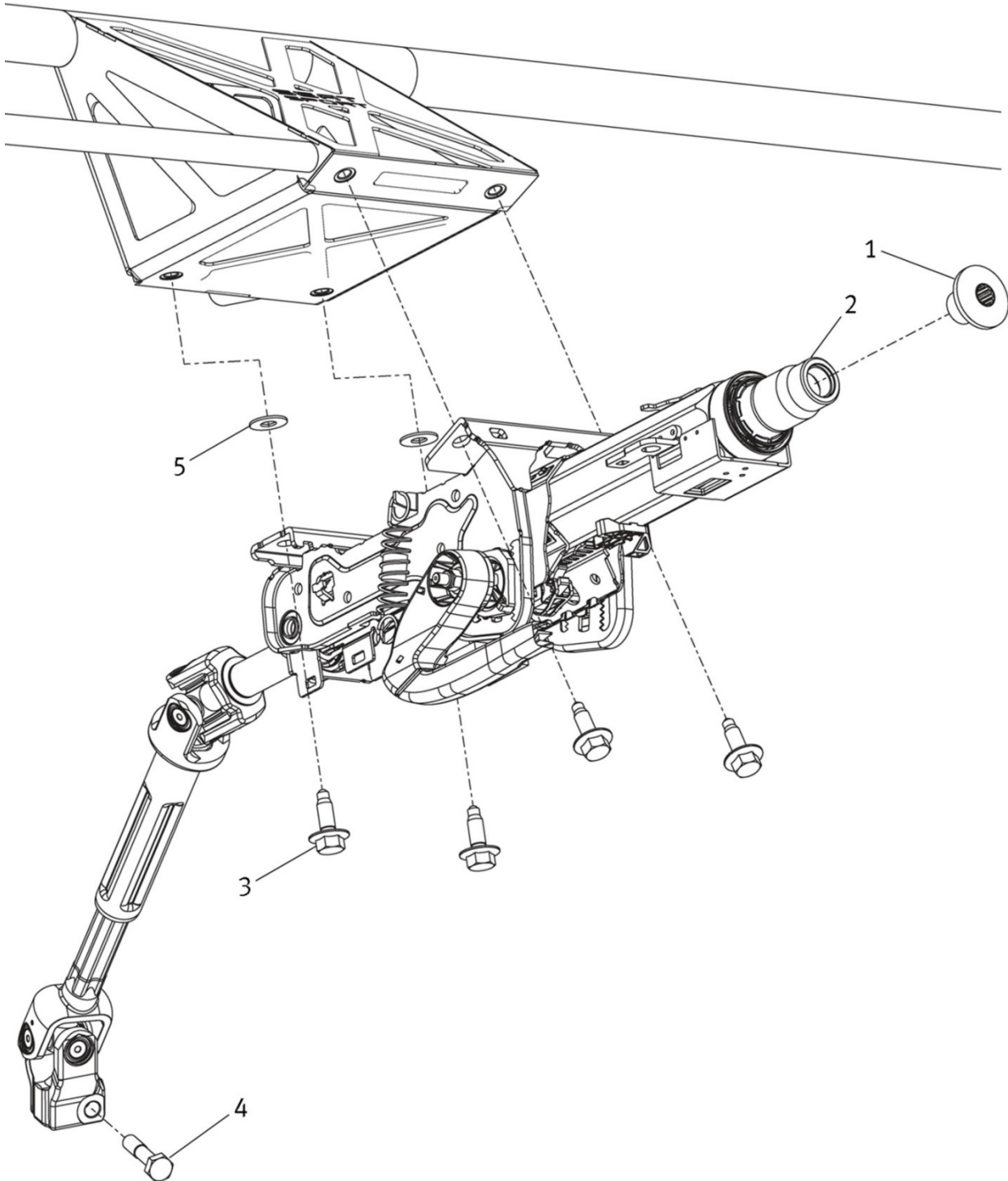
STEERING RACK



STEERING RACK

Pos.	Reference	Description	Qty.
1	5F6423055A	STEERING RACK w/o ROD END ARM-PROGRAMMED-	1
2	_N_10552402	HEXAGONAL BOLT M12X75	2
3	_1K0423831A	BELLOW	2
4	V3FL422807A	AXIAL JOINT	2
5	_N_01116417	HEXAGON NUT M16X1,5	2
6	5F6419811	AXIAL JOINT	2
7	5f6422233A	STEERING RACK STOPPER	2
8	_5Q1423981D	HEAT SHIELD	1
9	_N_90915802	T HEX.SOCKET HEAD BOLT,THREAD-FORMING M6X7	4

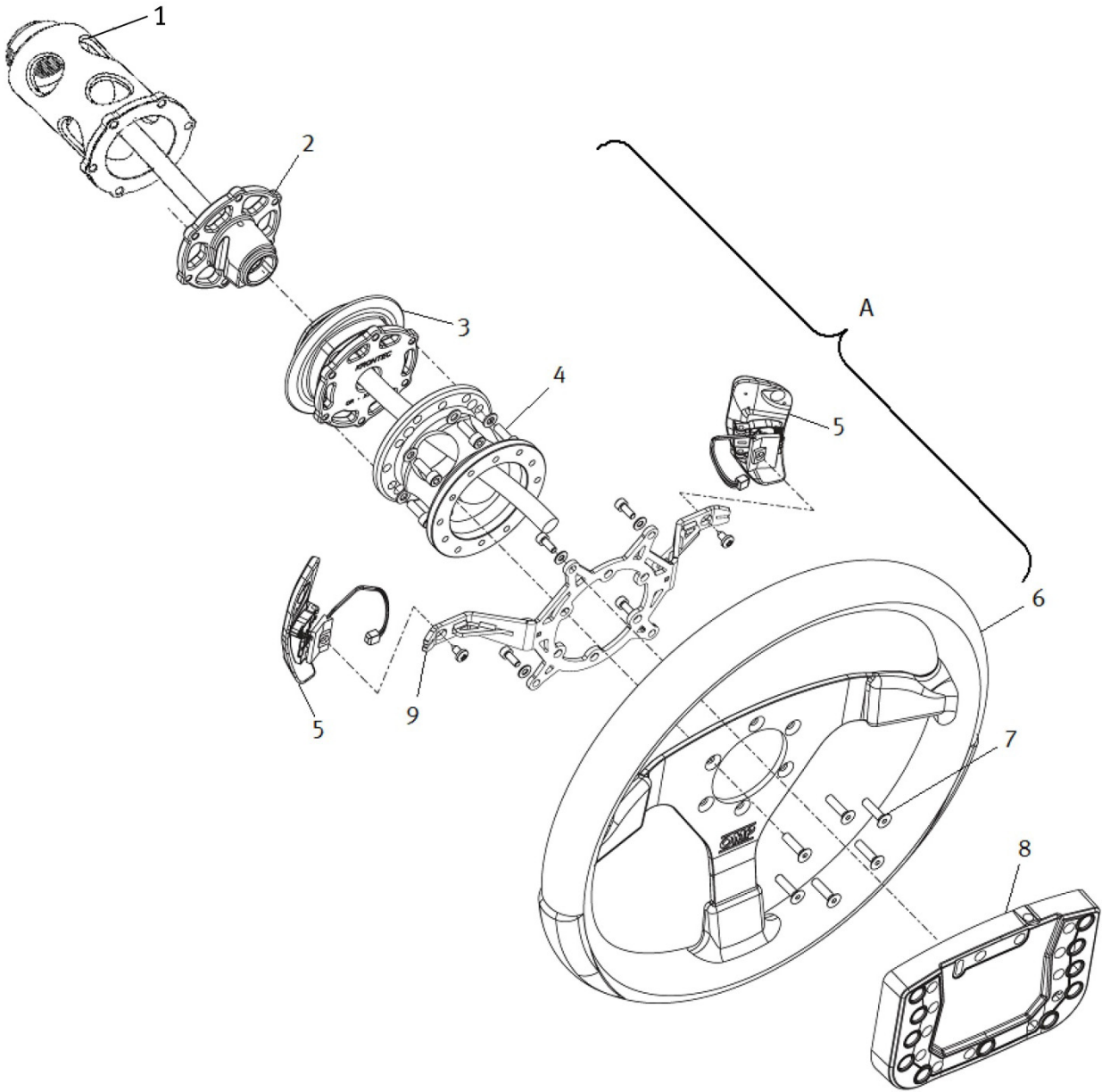
STEERING COLUMN



STEERING COLUMN

Pos.	Reference	Description	Qty.
1	_N_90799102	SOCKET HEAD BOLT M18X1.5X18	1
2	V3FL419502	STEERING COLUMN ASSY.	1
3	_N_0195307	HEX COLLARED BOLT M8X25	4
4	_N_01033513	Bolt M8x35	1
5	VN0002221310	FLAT WASHER ZN Ø8X20 DIN522	2

STEERING WHEEL AND SHIFT PADS

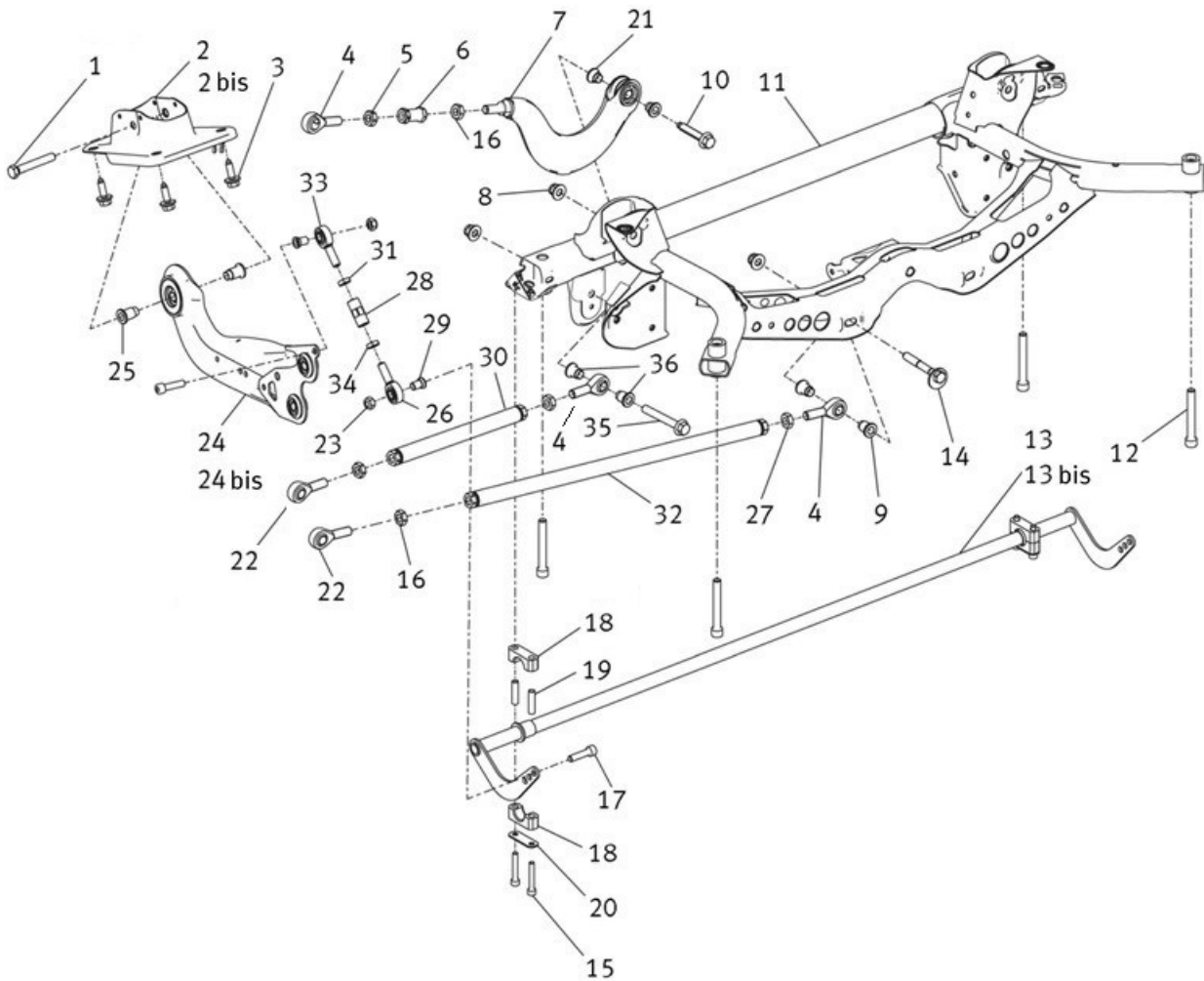


STEERING WHEEL AND SHIFT PADS

Pos.	Reference	Description	Qty.
A*	5F6419089	COMPLETE STEERING WHEEL	1
1	5F6419919B	CONNECTING PART 120 mm	1
1_bis	5F6419919A	CONNECTING PART 100 mm	1
1_bis2	5F6419919C	CONNECTING PART 140 mm	1
2	5F6971475	WIRING HARNESS STEERING WHEEL	1
3	V3FL970317	STEERING WHEEL WIRING LOOM L=20mm	1
4	V3FL419077	STEERING WHEEL SPACER E=60MM	1
4_bis	8S6422211	STEERING WHEEL SPACER E=20MM	1
4_bis2	8S6422211A	STEERING WHEEL SPACER E=40MM	1
5	VOJL951520	COMPLETE SHIFT PADS TIPTRONIC	1
6	V3FL419091	STEERING WHEEL OMP Ø330MM -TARGA-	1
7	VN0001839639	ALLEN CONE BOLT M5X15 DIN7991 PAV. 12.9	6
8	V3FL959400	STEERING WHEEL MULTIFUNCTION BOX	1
9	V3FL919837A	DSG BUTTON SUPPORT ASSY.	1

* INCLUDES PARTS 3,4,5,6,7,8,9

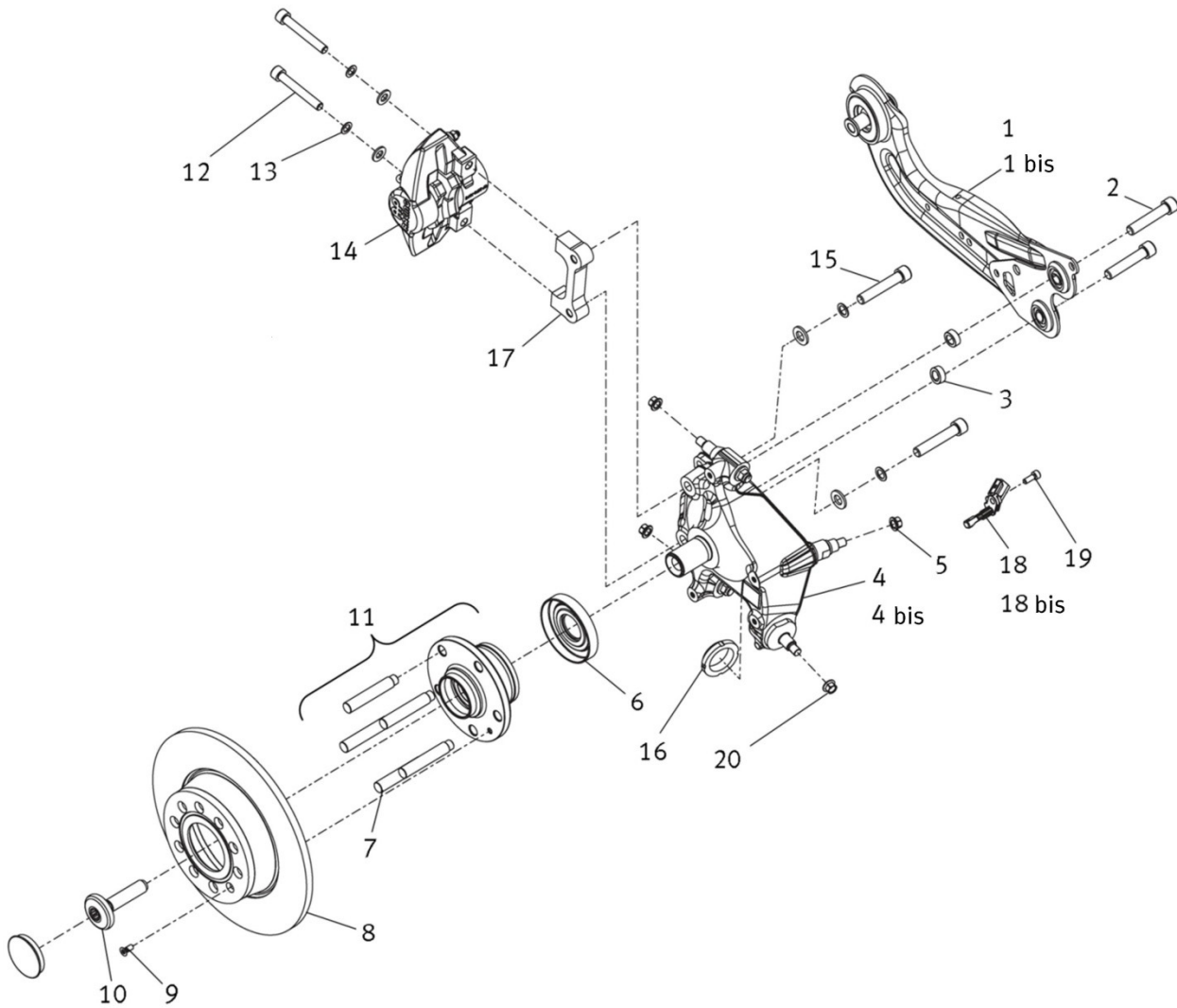
REAR AXLE



REAR AXLE

Pos.	Reference	Description	Qty.
1	_N_10769501	HEXAGON BOLT M12X1,50X80	2
2	_1K0505129L	LEFT BRACKET	1
2 bis	_1K0505130L	RIGHT BRACKET	1
3	_N_90648402	HEXAGON HEAD BOLT (COMBI) M10X35	8
4	V4PL501674	BALL JOINT LEFT MALE Ø14 SMLEM14.51	3
5	VN0003065837	NUT PAV.10 M14X150 DIN936 (TURN LEFT)	2
6	V3FL505338A	CAMBER REGULATION	2
7	5F6505341	SEMI-TRAILING ARM w/BALL JOINT & CIRCLIP	2
8	_N_10106402	HEXAGON COLLAR NUT SELF-LOCKING M12X1,5	4
9	V4PL505529	Spacer ball joint	4
10	_N_10552402	BOLT HEXAGONAL M12X75	2
11	V3FL505315	REAR SUBFRAME ASSY. (G)	1
12	VN0001166039	ALLEN BOLT CIL PAV 12.9 M12X65DIN912	4
13	V3FL511407	ANTI ROLL BAR Ø22x3	1
13 bis	V3FL511407A	ANTI ROLL BAR Ø22x4	1
14	_WHT001761	ECCENTRIC BOLT M12X1,5X90	2
15	VN0001157739	ALLEN BOLT M8X50 DIN912 12.9	4
16	VN0003064396	LOCK-NUT ACE 3/8" 24H LEFT DIN936	2
17	VN0001161539	ALLEN BOLT PAV.12.9 M10X40DIN912	4
18	V3FL511453	ANTI ROLL BAR SUPPORT	2
19	5F6411325B	ARB SUPPORT SPACER	2
20	V3FL511456	ANTI ROLL BAR SUPPORT PLATE	2
21	V3FL505531	SPHERICAL BEARING SPACER	4
22	V4PL501673	BALL JOINT MALE Ø14 SMEM14.51	4
23	VN0003221000	AVIATION'S NUT M10	4
24	5F6505225	TRAILING LINK	1
24 bis	5F6505226	TRAILING LINK	1
26	VN0005401012	MALE BALL JOINT Ø12X1,75 RIGHT -TEFLON	2
27	VN0003065837	NUT PAV.10 M14X150 DIN936 (TURN LEFT)	4
28	V3GL411318A	CONNECTING ROD	2
29	V3FL505152	SOCKET JOINT M12	4
30	5F6501530	LOWER FRONT ARM	2
31	VN0003067300	NUT (TURN LEFT) PAV. 5.6 M12	2
32	5F6505467	REAR ARM ASSY.	2
33	VN0005401112	MALE BALL JOINT Ø12X1,75 LEFT -TEFLON-	2
34	VN0003000716	LOW NUT M12 DIN439	2
35	VN0001164039	ALLEN CIL. PAV. 12.9 M12X150X90 SCREW	2
36	V3FL505529	SPHERICAL BEARING SPACER	4

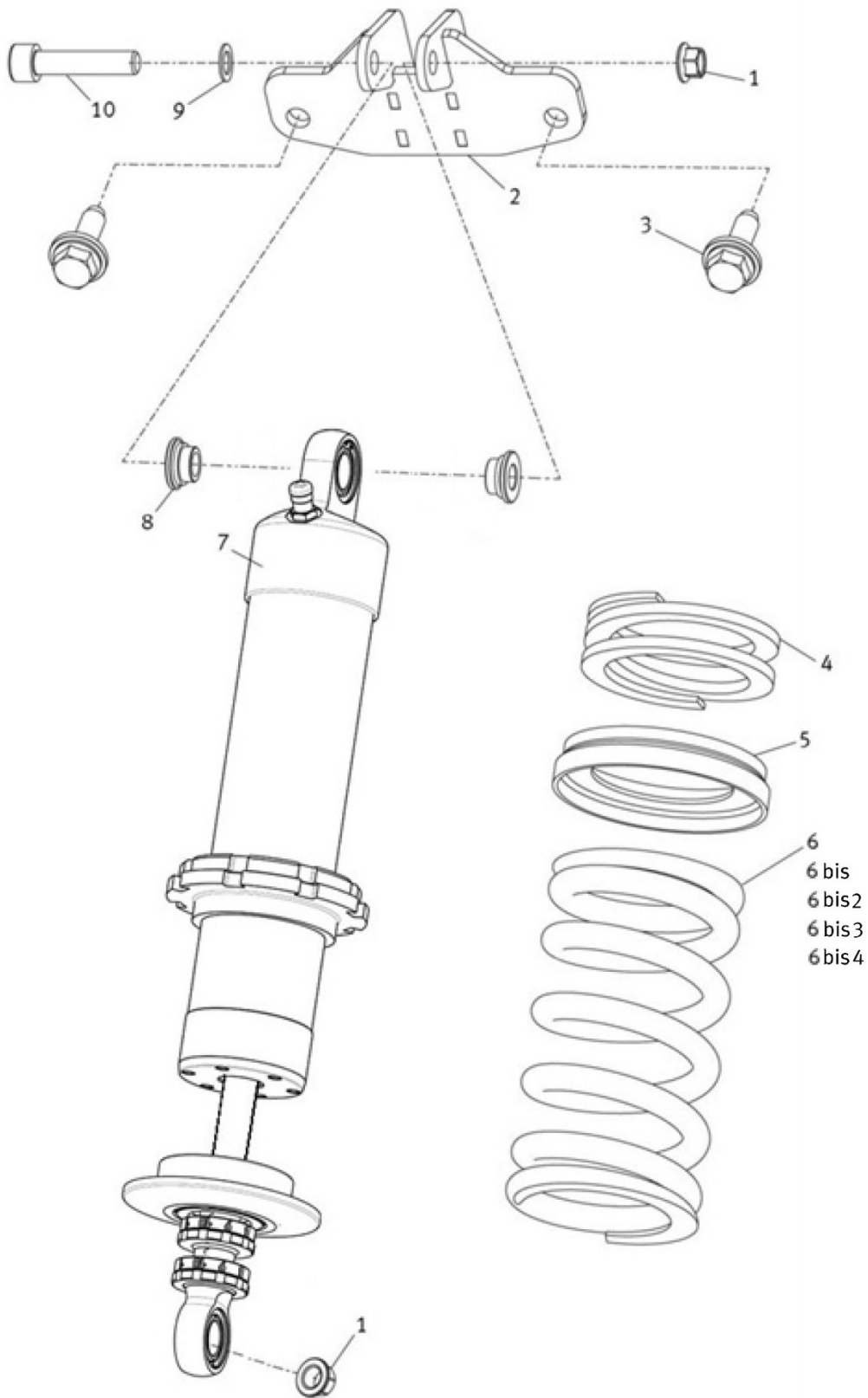
REAR UPRIGHT AND HUB



REAR UPRIGHT AND HUB

Pos.	Reference	Description	Qty.
1	5F6505225	TRAILING LINK	1
1 bis	5F6505226	TRAILING LINK	1
2	VN0001168139	ALLEN BOLT M12X150X80DIN912-12.9	4
3	5F6505278	WHEEL BRACKET SPHERICAL BEARING SPACER	4
4	5F6505431	REAR WHEEL BRACKET	1
4 bis	5F6505432	REAR WHEEL BRACKET	1
5	VN0003221000	AVIATION'S NUT M10	2
6	_3C0505491	DISTANCIAL RING REAR HUB	2
7	5F6601295	WHEEL STUD	10
8	_1K0615601AA	REAR BRAKE DISC 272x10 15"	2
9	_N_10648301	HEX. SOCKET COUNTERSUNK BOLT M6X16	2
10	_WHT000229A	SHOULDERED BOLT M16X1,5X70	2
11	V4PL501609	WHEEL HUB ASSEMBLY WITH WHEELS BOLT	2
12	VN0001162139	ALLEN BOLT M10X70 DIN912 12.9 PAV.	4
13	VN0002341500	COPPER WASHER Ø10X16 DIN7603	4
14	V2MT615407	AP REAR BRAKE CALIPER	2
15	VN0001162139	ALLEN BOLT M10X70 DIN912 12.9 PAV.	4
16	VN0003226800	KM NUT WITH POLYAMIDE RING M35x1,5	2
17	5F6615125A	BRAKING PLATE	2
18	_WHT003858	RPM REAR WHEEL RIGHT SENSOR	1
18 bis	_WHT003859	RPM REAR WHEEL LEFT SENSOR	1
19	_N_01474011	HEXAGONAL HEAD NUT M6X16	2
20	VN0003221200	K-NUT M12	2

REAR SHOCK ABSORBER

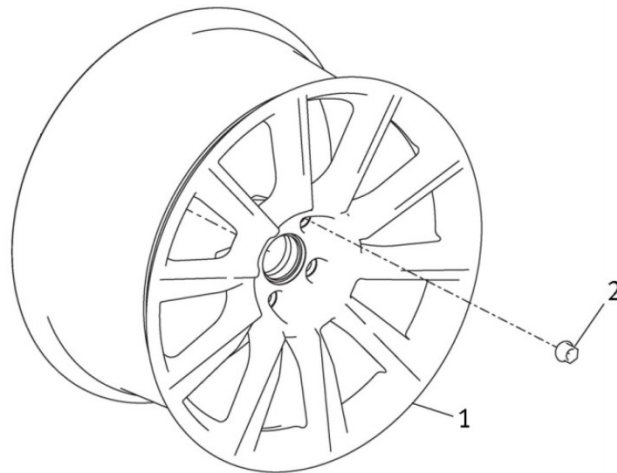


REAR SHOCK ABSORBER

Pos.	Reference	Description	Qty.
1	VN0003221000	AVIATION'S NUT M10	4
2	5F6513353	REAR UPPER SHOCK ABS. FIXATION	2
3	_N_90648402	HEXAGON HEAD BOLT (COMBI) M10X35	4
4	VN0020018100	TENDER SPRING 60-60-002	2
5	V2MT411113C	SPRING SPACER Ø80mm.	2
6	5F6411105	SPRING 170-60-70	2
6 bis	5F6411105A	SPRING 170-60-80	2
6bis2*	8S6411105	SPING 170-60-90	2
6 bis3	8S6411105A	SPING 170-60-100	2
6 bis4	8S6411105B	SPING 170-60-110	2
7	5F6513025B	REAR SHOCK ABSORBER	2
8	V3FL505179	SACHS REAR DAMPER UPPER SPACER	4
9	VN0002150700	PRESSED TYPE WASHER Ø10,5X16	2
10	VN0001161639	ALLEN BOLT M10X150X45 DIN912 12,9 PAV.	2

* SERIAL SPRING

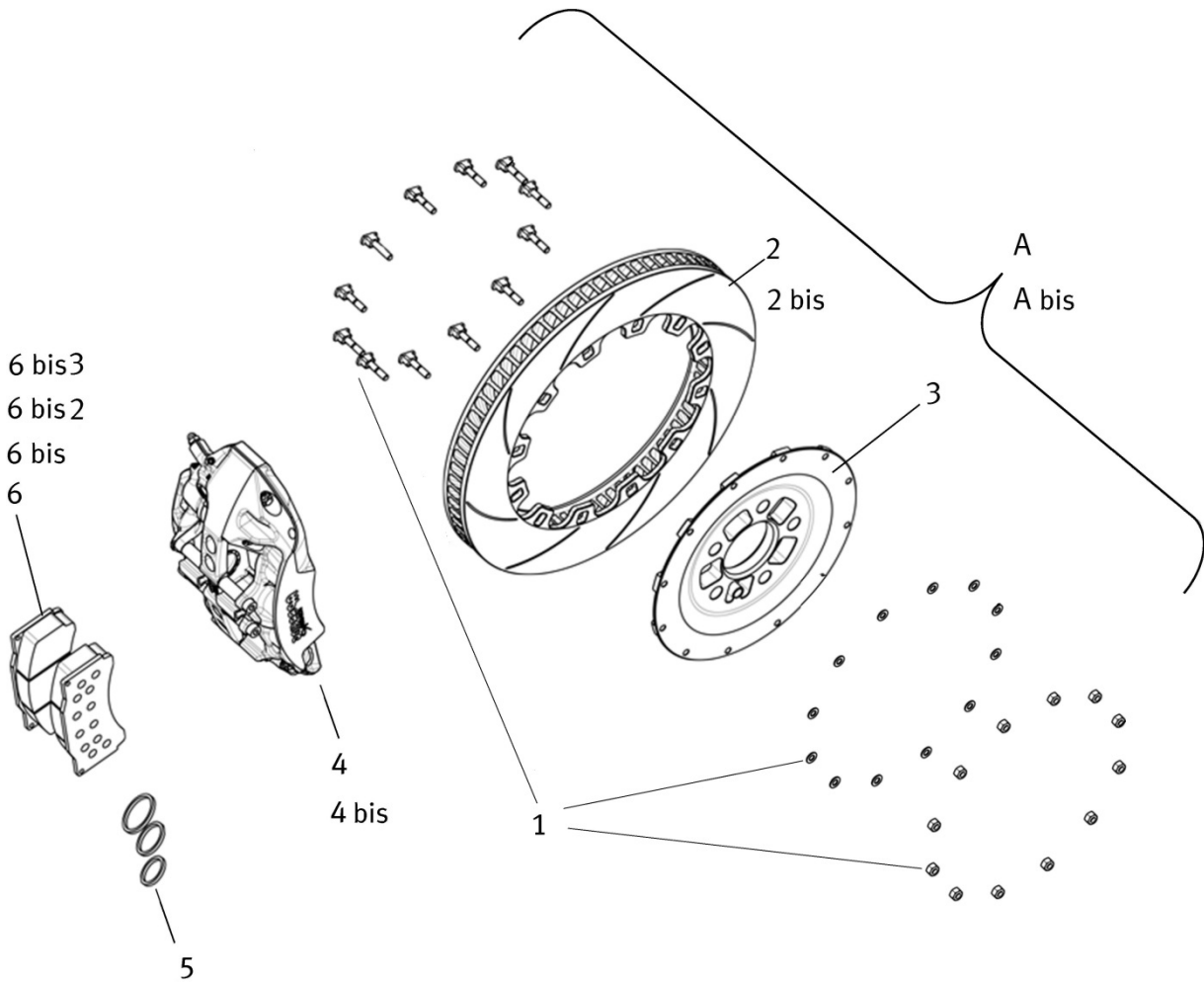
WHEEL & TYRE



WHEEL & TYRE

Pos.	Reference	Description	Qty.
1	V3FL601025	RIM 18" x 10" ET36 -SEAT SPORT-	4
2	V131407150	WHEEL NUT M14x1,5	20

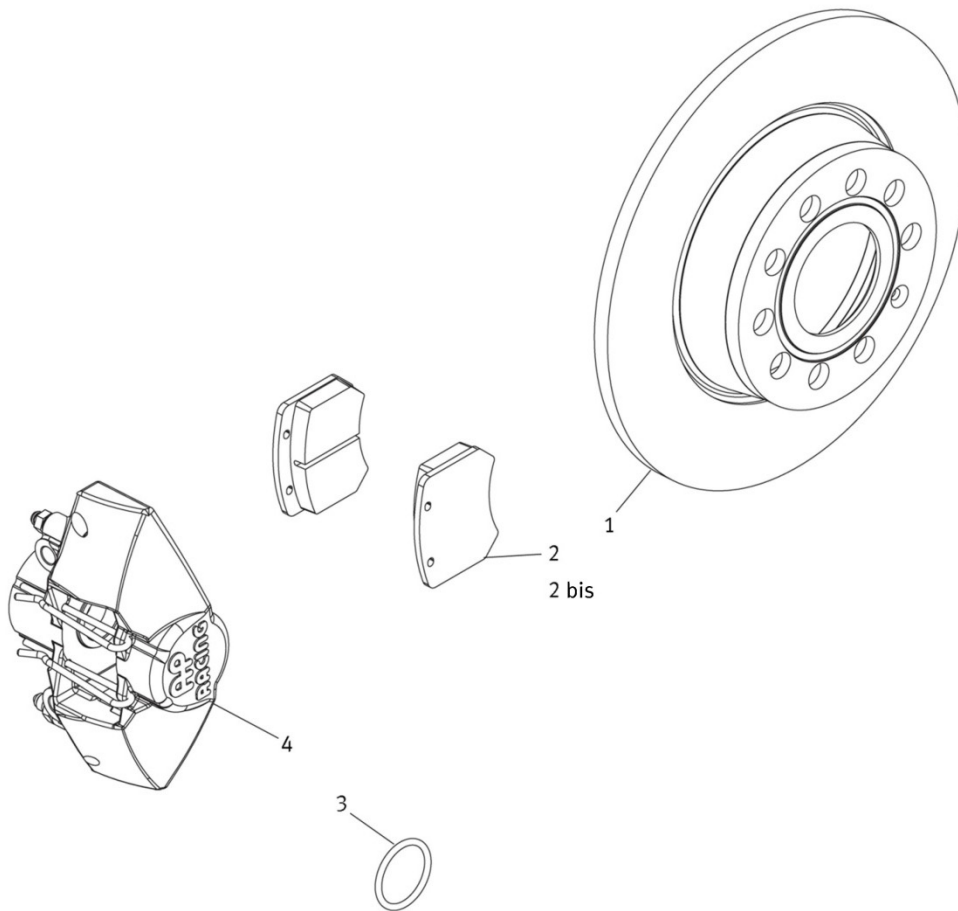
FRONT BRAKE



FRONT BRAKE

Pos.	Reference	Description	Qty.
A	5F6615297C	COMPLETE LEFT FRONT BRAKE DISC Ø378X34	1
A bis	5F6615298C	COMPLETE RIGHT FRONT BRAKE DISC Ø378X34	1
1	8S6614339	SET OF BOBINS FOR PAGID DISC (L)	1
2	8S6615301A	FRONT BRAKE DISC LEFT	1
2_bis	8S6615302A	FRONT BRAKE DISC RIGHT	1
3	8S6615329	BRAKE HAT	2
4	5F6615105A	BRAKE CALIPER FRONT LEFT (Z)	1
4 bis	5F6615106A	BRAKE CALIPER FRONT RIGHT (Z)	1
5	5F6698471	GASKETS OF REPAIR	1
6	5F6615115B	FRONT BRAKE PADS PAGID RST1 – SPRINT	2
6 bis	5F6615115	FRONT BRAKE PADS PAGID RST3 – SPRINT	2
6 bis2	5F6615115C	FRONT BRAKE PADS PAGID RSL1 – ENDURANCE	2
6 bis3	5F6615115A	FRONT BRAKE PADS PAGID RSL2 – ENDURANCE	2
N/D	5F6615119	HEAT ISOLATION PLATE	1

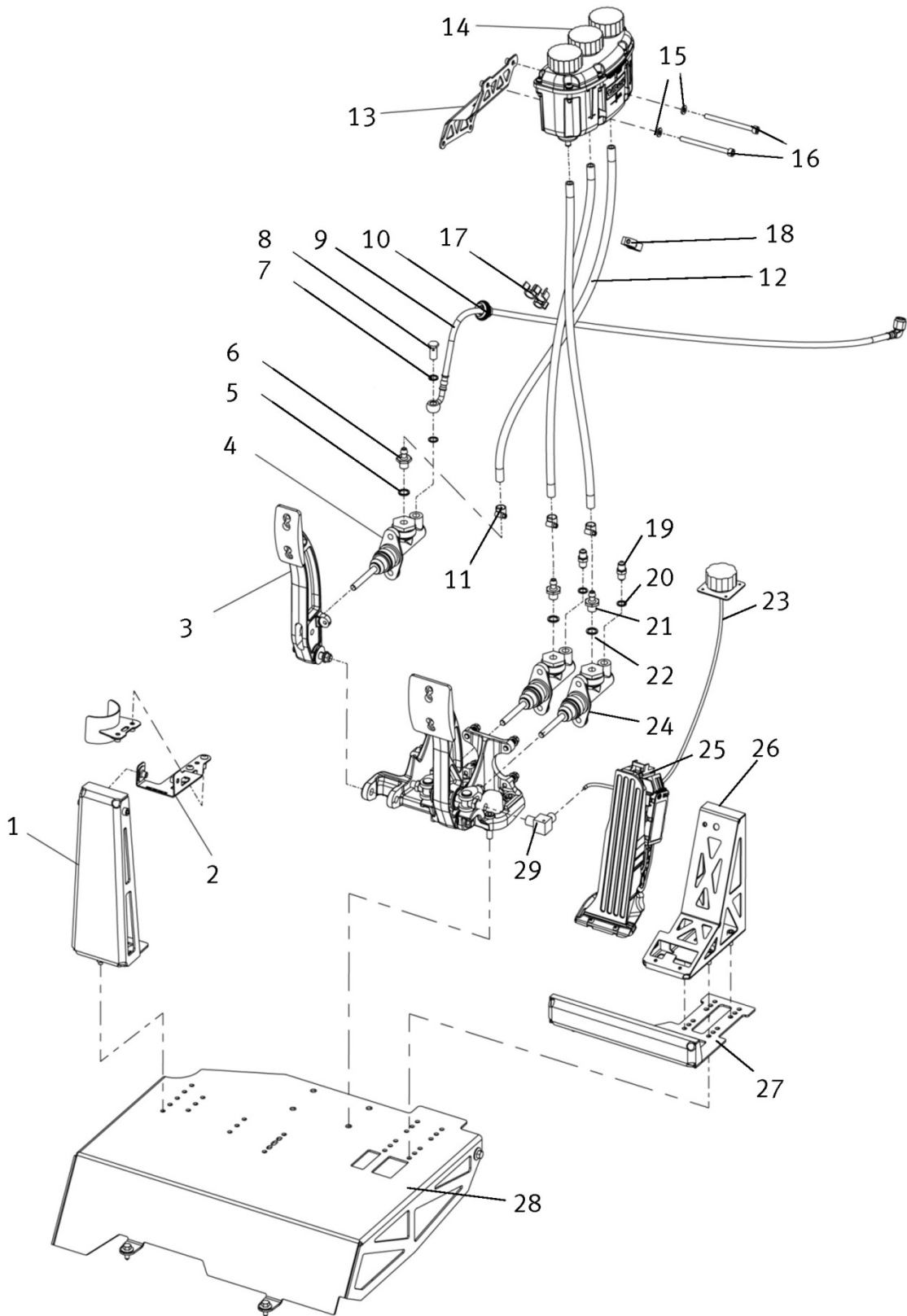
REAR BRAKE



REAR BRAKE

Pos.	Reference	Description	Qty.
1	_1K0615601AA	REAR BRAKE DISC 272x10 15"	2
2	5F6615415	REAR BRAKE PADS RS44 - SPRINT	2
2 bis	5F6615415C	REAR BRAKE PADS RSL29 - ENDURANCE	2
3	V131614712	BRAKE CALIPER REPAIR KIT	2
4	V2MT615407	AP REAR BRAKE CALIPER	2

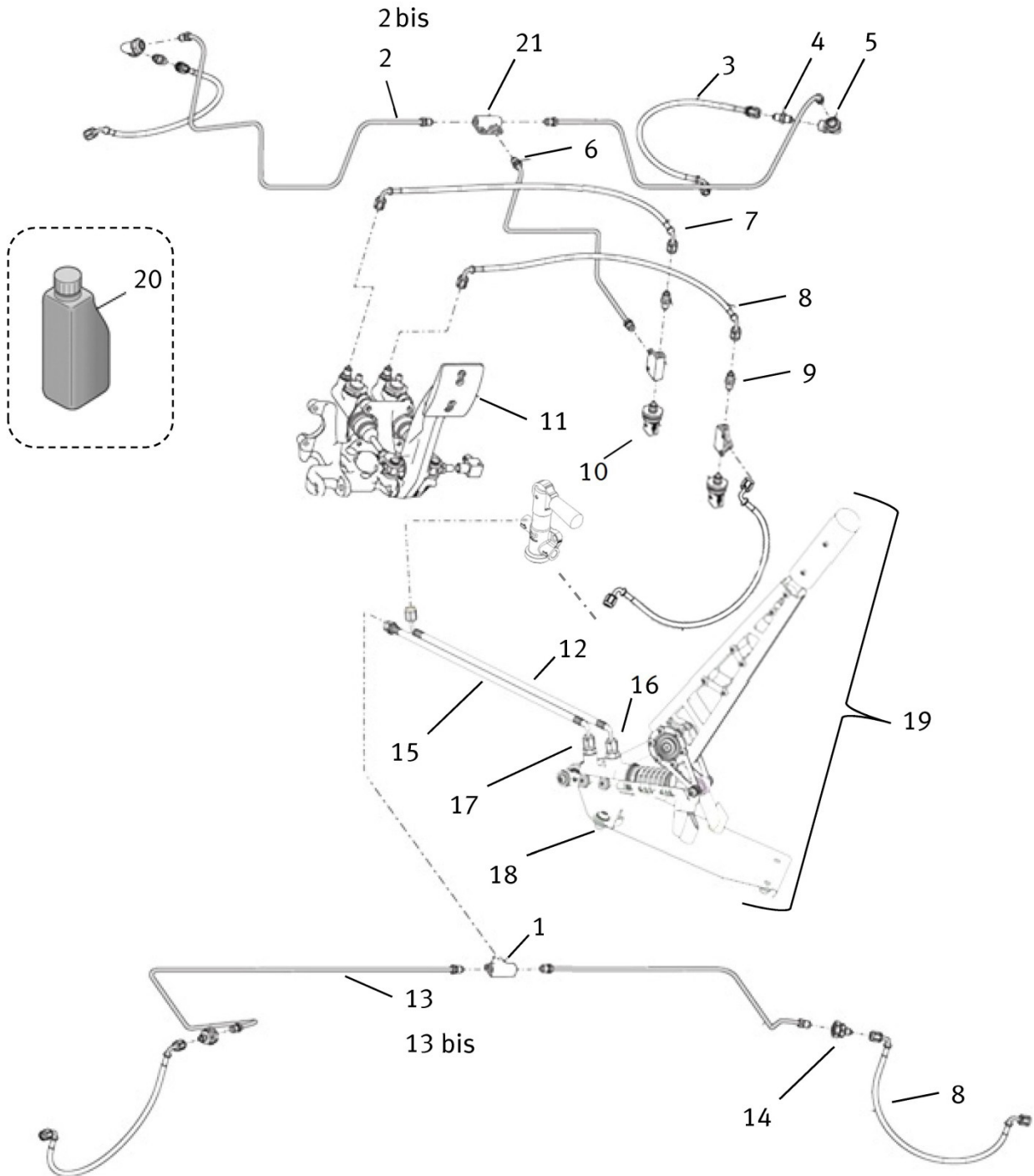
PEDALS AND PUMPS



PEDALS AND PUMPS

Pos.	Reference	Description	Qty.
1	5F6864415B	LEFT FOOTREST BASE -LR-	1
2	5F6721096B	LEFT FOOTREST REGULATION SUPPORT -LR-	1
3	5F6721321	CLUTCH PEDAL	1
4	V3FL614165A	AP BRAKE PUMP 15.9 MM (PRT100)	1
5/22	VN0002341600	COPER WASHER Ø10X16X1mm DIN7603	-
6/21	V3FL614213	BRAKE PUMP ADAPTER PUSH-ON	2
7/20	VN0002341500	COPPER WASHER Ø10X16 DIN7603	-
8	V2MT331278	BANJO BOLT 3/8"-24 UNFX20MM	1
9	5F6721465	O3D STRAIGHT BANJO 110° Ø10 L=890 HOSE	1
10	_191711487	GROMMET	1
11	VN0004008200	CLAMP 9X16	1
12	VN0000082570	INTERIOR FLEXIBLE PIPE 65 CM	3
13	5F6611671	SUPPORT (G)	1
14	5F6611301	TILTON BRAKE-FLUID RESERVOIR ASSY	1
15	VN0002000739	FLAT WASHER Ø6 DIN125 PAV.	2
16	VN0001154339	ALLEN BOLT CIL PAV 12.9 M6X80 DIN912	2
17	_073201368H	TRIPLE CLAMP 2xØ13 - 1xØ11	1
18	_893201687B	DOUBLE CLAMP 1XØ14 - 1XØ13	1
19	VN0005143500	MALE-MALE ADAPTOR O3D-O3D ZN.	2
20	VN0002341500	COPPER WASHER Ø10X16 DIN7603	2
21	V3FL614213	BRAKE PUMP ADAPTER PUSH-ON	2
22	VN0002341600	COPER WASHER Ø10X16X1mm DIN7603	6
23	V3FL612191	BRAKE REGULATION CABLE	1
24	V3FL614165B	BRAKE PUMP AP 16.8 MM (PRT100)	1
24_bis	V3FL614165C	BRAKE PUMP AP 17.8 MM (PRT100)	1
24bis2*	V3FL614165D	BRAKE PUMP AP 19.1 MM (PRT100)	1
24bis3	V3FL614165E	BRAKE PUMP AP 20.6 MM (PRT100)	1
24bis4*	V3FL614165F	BRAKE PUMP AP 22.2 MM (PRT100)	1
24bis5	V3FL614165G	BRAKE PUMP AP 23.8 MM (PRT100)	1
25	5F6721503	THROTTLE PEDAL	1
26	5F6721532A	BRACKET, STOP	1
27	V3FL864787A	FOOT STOPPER	1
28	5F6721221	SUPPORT -FOOTREST 2016-	1
29	V3FL721597	BRAKE CABLE ADAPTOR	1

BRAKE CIRCUIT

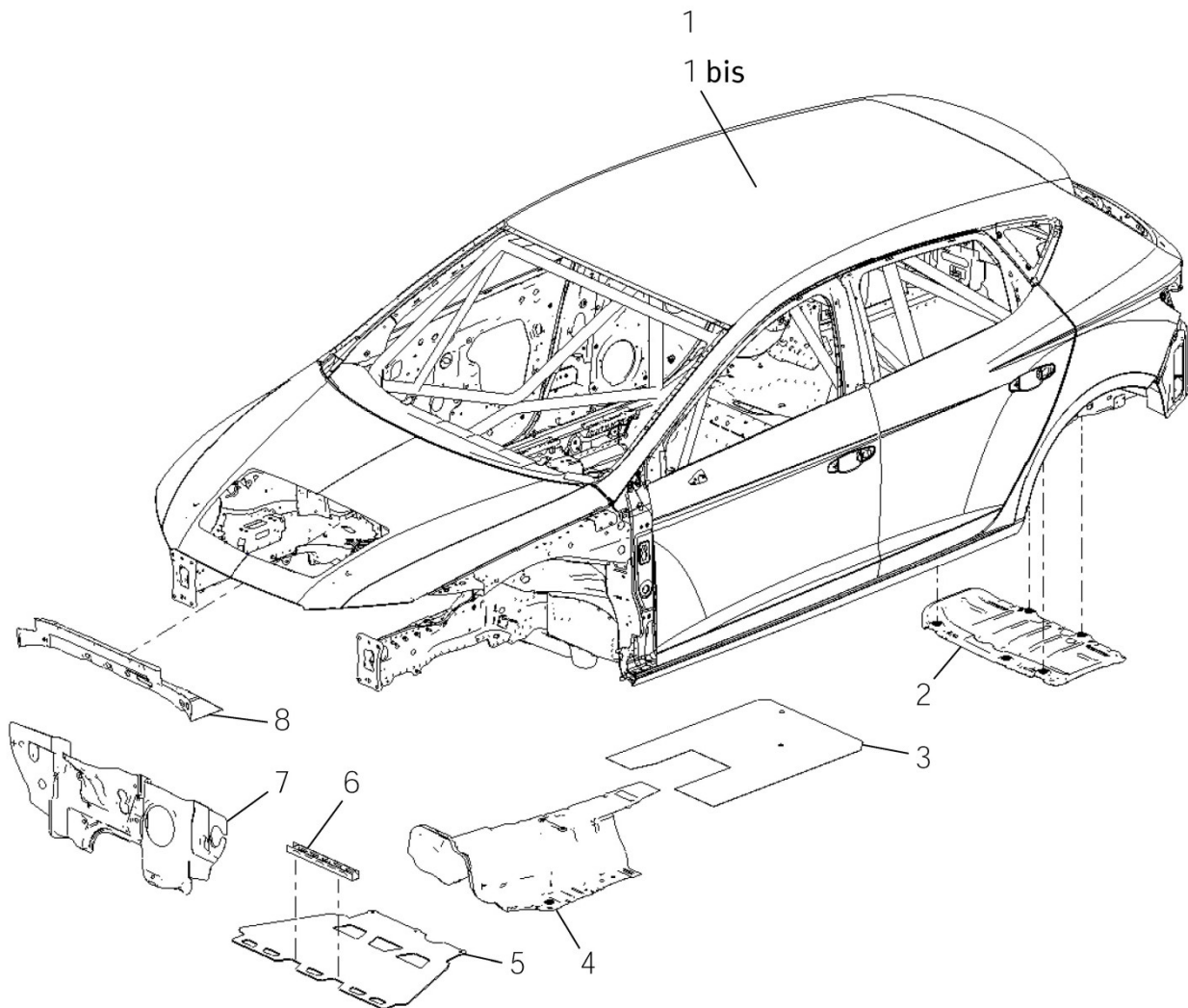


BRAKE CIRCUIT

Pos.	Reference	Description	Qty.
1	VN0005185400	T RACCORD M10X100	3
2	5f6614723	BRAKE LINE	1
2 bis	5f6614724	BRAKE LINE	1
3	5F6611701A	FRONT BRAKE HOSE	1
4	VN0005143500	MALE-MALE ADAPTOR 03D-03D ZN.	2
5	5F6611729	ALU. ELBOW 90°	2
6	V3FL614725	FROM T TO T SENSOR BRAKE HOSE	1
7	V3FL611707	FRONT OUTPUT BRAKE PUMP PIPE TO "T"	1
8	V8PS611775	SLEEVE FOR BRAKES	3
9	_6KL611315	MALE-MALE ADAPTOR M10X1 -03D STEEL	2
10	_06J906051C	PRESSURE SENSOR 140 bars	2
11	V3FL721060	BRAKE PEDAL ASSEMBLY	1
12	5F6711983A	PRESSURE HOSE -BRAKE T TO PUMP-	1
13	V3FL614729	LEFT REAR BRAKE HOSE	1
13 bis	V3FL614730	RIGHT REAR BRAKE HOSE	1
14	VN0005174800	CABLE SLEEVE (M/H) 03D-M10X1	2
15	5F6711984	PRESSURE HOSE -PUMP TO REAR BRAKE T-	1
16	VN0005172600	ADAPTER (M/M) 04D-03D	1
17	VN0005175700	ADAPTER MALE 03D - MALE 03D	1
18	5F6611021B	HANDBRAKE PUMP Ø15 (AP)	1
19*	5F6711014	HANDBRAKE ASSY (Z) WO/ BRAKE HOSE	1
20	VN0000062400	BRAKE FLUID CASTROL	1
21	VN0005110300	X DISTRIBUTOR	1

* INCLUDES PART 18

BODY

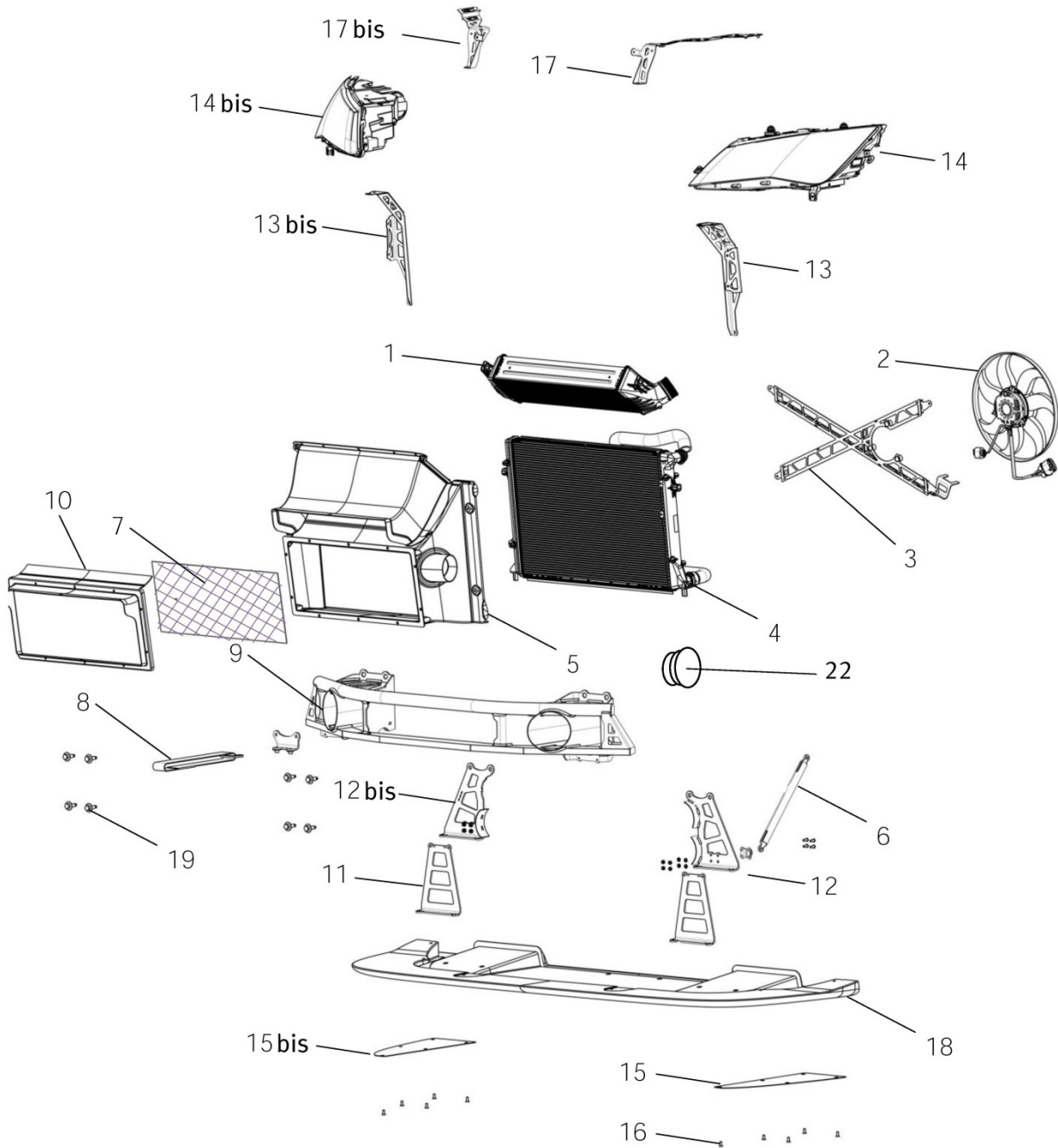


BODY

Pos.	Reference	Description	Qty.
1*	5F6800411	BODY PAINTED	1
1_bis*	5F6800401KTL	BODYSHELL w/ROLLBAR AND DOORS	1
2	_5Q0825701C	UNDERBODY TRIM	1
3	5F6825662	HEAT SHIELD FOR TUNNEL	1
4	V3FL825661	HEAT SHIELD FOR TUNNEL	1
5	V3FL825237	OIL SUMP PROTECTION	1
6	V3FL825291B	OIL SUMP PROTECTION SUPPORT	1
7	_5Q1863353E	PROTECTION FOR WATER BOX	1
8	_5F0863993	SOUND ABSORBER FOR WATER BOX	1

* PLEASE CONTACT SEAT SPORT

FRONTEND

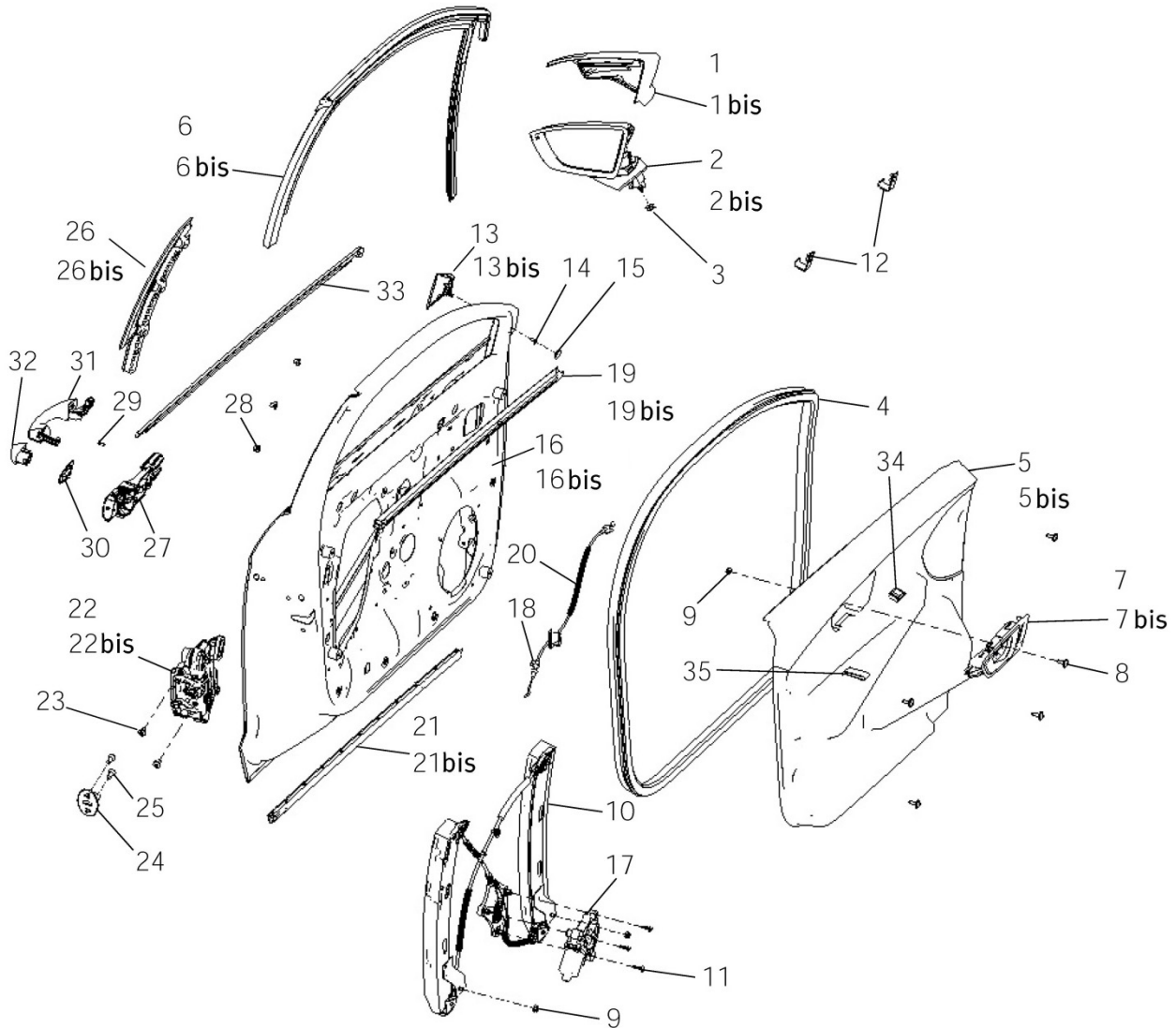


FRONTEND

Pos.	Reference	Description	Qty.
A*	5F6800723	FRONTEND PRE-ASSEMBLY -2016-	1
1	5F6145803A	INTERCOOLER	1
2	_1K0959455DT	RADIATOR FAN Ø360MM 300W	1
3	5F6121207A	RADIATOR FAN (G)	1
4	5F6121251	RADIATOR	1
5	5F6805594	PLASTIC FRONT-END (G)	1
6	5F6807182	CLIP ANGLE	2
7	5F6853667	RADIATOR GRILLE	1
8	5F6803611	TOWING EYE (Z)	1
9	5F6807109B	BUMPER BAR, FRONT	1
10	5F6805598	PLASTIC FRONT-END (G)	1
11	5F6807203C	STRUT	2
12	5F6807201	STRUT (G)	1
12 bis	5F6807202	STRUT (G)	1
13	5F6805323B	HALTER (G) -RADIATOR-	1
13 bis	5F6805324B	HALTER (G) -RADIATOR-	1
14	5F6941007	LEFT LED HEADLIGHT	1
14 bis	5F6941008	RIGHT LED HEADLIGHT	1
15	5F6807531	LOWER SPLITTER PROTECTION	1
15 bis	5F6807532	LOWER SPLITTER PROTECTION	1
16	VN0001819439	ALLEN BOLT PAV.12.9 M6X16 DIN7991	10
17	5F6805605B	HEADLAMP MOUNTING (G)	1
17 bis	5F6805606B	HEADLAMP MOUNTING (G)	1
18	8S6807061	SPLITTER	1
19	_N_91196402	HEXAGON BOLT M10X35	8
20	_N_10098811	HEXAGON SCREW WITH FLANGE M6x16	8
22	VN0008146700	BLACK PLUG D90	1

* INCLUDES REFERENCES 2,3,4,5 ,7,10 & 13

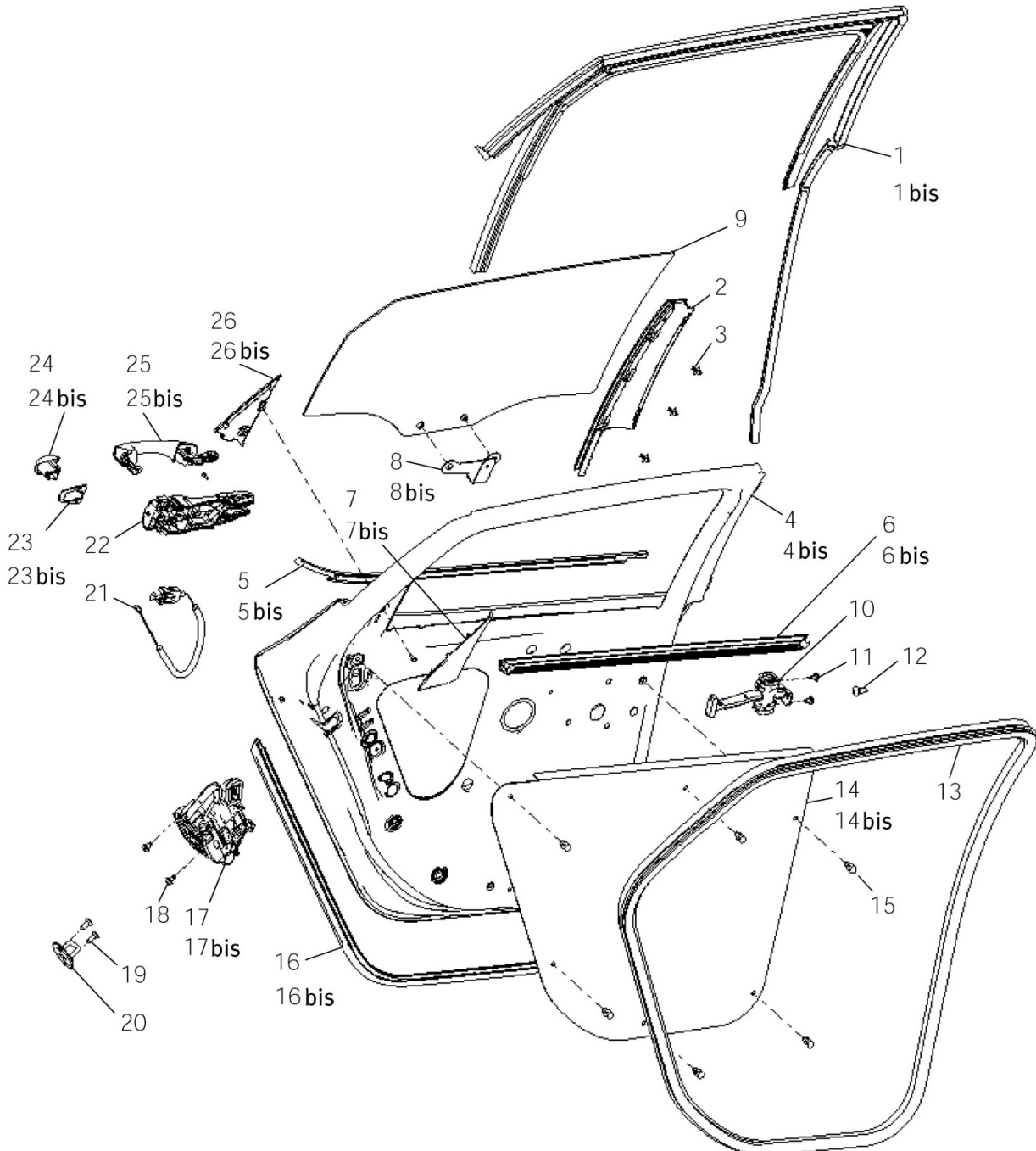
FRONT DOORS



FRONT DOORS

Pos.	Reference	Description	Qty.
1	_5F0857537BGRU	MIRROR CAP (LEFT)	1
1 bis	_5F0857538BGRU	MIRROR CAP (RIGHT)	1
2	_5F1857501AC9B9	EXTERIOR MIRROR	1
2 bis	_5F1857502AC9B9	EXTERIOR MIRROR	1
3	_N_10435508	COLLAR NUT	2
4	_5F48673659B9	DOOR SEAL	2
5	V3FL867013	DOOR PANEL TRIM ASSEMBLY	1
5 bis	V3FL867014	DOOR PANEL TRIM ASSEMBLY	1
6	_5F4837431G5AP	WINDOW GUIDE	1
6 bis	_5F4837432G5AP	WINDOW GUIDE	1
7	_5F2837113041	INNER ACTUATOR (LEFT)	1
7 bis	_5F1837114041	INNER ACTUATOR (LEFT)	1
8	_N_10196401	HEXAGONAL w/WASHER M6X22	10
9	_N_01508210	HEXAGON COLLAR NUT M6	4
10	_5F4837461D	WINDOW REGULATOR MOTOR	1
11	_8Z0837691C	REGULATION MOTOR FIXATION BOLT	3
12	V3FL845477	FRONT DOOR WINDOW SUPPORT	2
13	_5F0837637D9B9	TRIM	1
13 bis	_5F0837638D9B9	TRIM	1
14	_N_90986802	HEXAGON SOCKET HEAD PANEL BOLT 4.2 X 13	2
15	_3B0837111B41	COVER CAP Ø18x4	2
16	V3FL831051KTL	FRONT DOOR WITH HINGES	1
16 bis	V3FL831052KTL	FRONT DOOR WITH HINGES	1
17	_5Q0959801B	LEFT WINDOW REGULATOR MOTOR	1
18	_5F4837085B	BOWDEN CABLE	2
19	_5F4837471B	WINDOW APERTURE SEAL	1
19 bis	_5F4837472B	WINDOW APERTURE SEAL	1
20	_5N0837017E	DOOR LOCK BOWDEN CABLE	2
21	_5F48376519B9	DOOR SEAL (OUTER)	1
21 bis	_5F48376529B9	DOOR SEAL (OUTER)	1
22	_5K1837015D	DOOR LOCK	1
22 bis	_5K1837016D	DOOR LOCK	1
23	_N_90800503	BOLT M8X14	4
24	_3C0837767B	SPRING BOLT	2
25	_N_91017402	COUNTERSUNK MULT. SOCKET HEAD BOLT	4
26	_5F4837901G041	TRIM FOR DOOR WINDOW FRAME	1
26 bis	_5F4837902G041	TRIM FOR DOOR WINDOW FRAME	1
27	_5N0839885H	MOUNTING BAR PASSENGER SIDE	2
28	_6R0839829A	SPREADER RIVET	6
29	_N_91176801	FIX. BOLT MOUNTING BAR TP5X10	2
30	_5G0837087B	LEFT HANDLE BASE	2
31	_5G0837205NGRU	LEFT DOOR HANDLE	1
31 bis	_5G0837206GRU	RIGHT DOOR HANDLE	1
32	_5G0839167GRU	BLIND HANDLE COVER	1
32 bis	_5G0839168GRU	BLIND HANDLE COVER	1
33	_5F4837477A5AP	WINDOW APERTURE SEAL	1
33 bis	_5F4837478A5AP	WINDOW APERTURE SEAL	1
34	8S6971763	CONNECTING CABLE -WINDOW SWITCH WIRING-	1
35	VMPP00210400	YELLOW GIRTH (WIDTH=25MM)	2

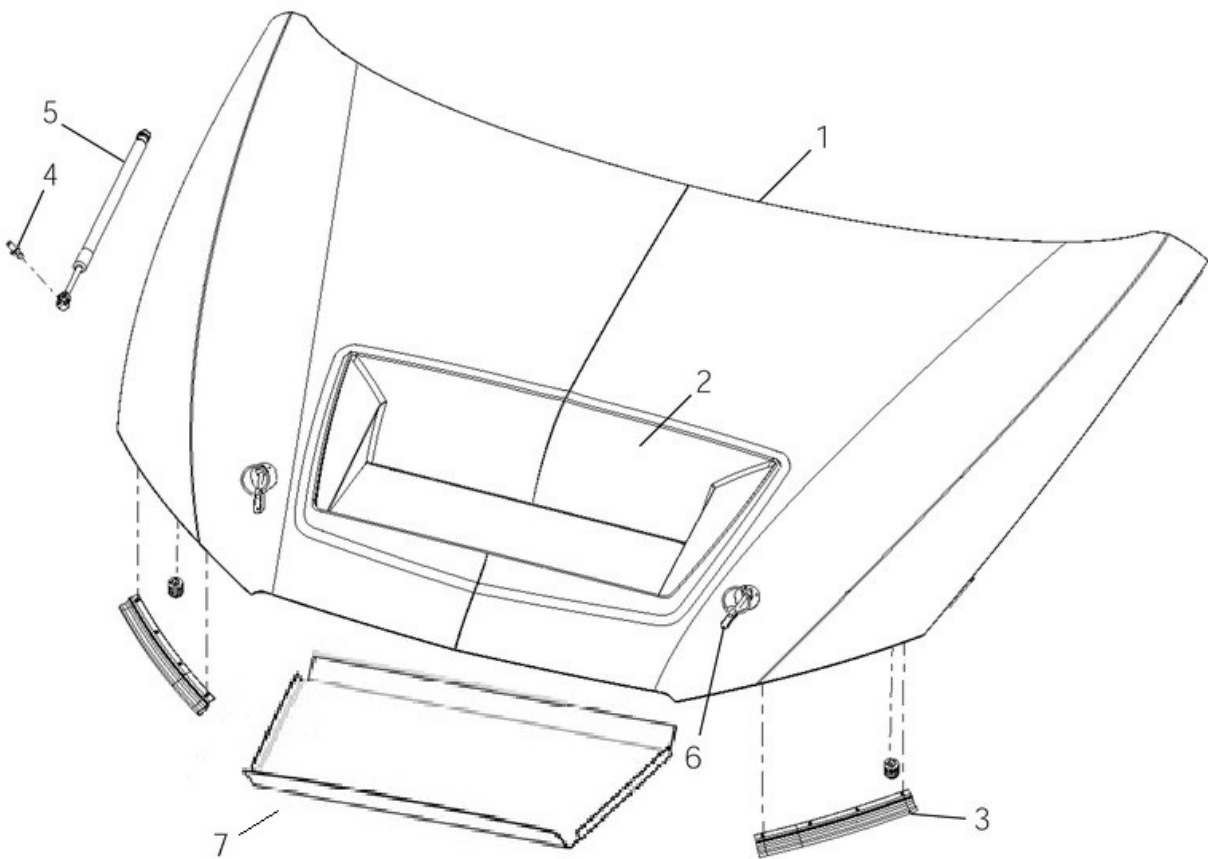
REAR DOORS



REAR DOORS

Pos.	Reference	Description	Qty.
1	_5F4839431M5AP	WINDOW GUIDE	1
1 bis	_5F4839432M5AP	WINDOW GUIDE	1
2	_5F4839901F041	TRIM FOR DOOR WINDOW FRAME	1
3	_6R0839829A	SPREADER RIVET	6
4	V3FL833051KTL	FRONT DOOR WITH HINGES	1
4 bis	V3FL833052KTL	FRONT DOOR WITH HINGES	1
5	_5F4839477C5AP	WINDOW APERTURE SEAL (LEFT OUTER)	1
5 bis	_5F4839478C5AP	WINDOW APERTURE SEAL (RIGHT OUTER)	1
6	_5F4839471A	WINDOW APERTURE SEAL (LEFT INNER)	1
6 bis	_5F4839472A	WINDOW APERTURE SEAL (RIGHT INNER)	1
7	_5F4839971VS9	TRIM FOR DOOR WINDOW FRAME (LEFT INNER)	1
7 bis	_5F4839972VS9	TRIM FOR DOOR WINDOW FRAME (RIGHT INNER)	1
8	V3FL845473	REAR WINDOW GLASS SUPPORT ASSY.	1
8 bis	V3FL845474	REAR WINDOW GLASS SUPPORT ASSY.	1
9	V3FL845025	DOOR WINDOW (LEFT REAR)	1
10	_5F4839203A	DOOR CATCH	2
11	_N_10747401	HEXAGON SOCKET FLAT HEAD BOLT M6X12	4
12	_WHT003497	HEXAGON SOCKET OVAL HEAD BOLT M8X23	2
13	_5F48673679B9	DOOR SEAL	2
14	V3FL867211	DOOR PANEL TRIM ASSEMBLY	1
14 bis	V3FL867212	DOOR PANEL TRIM ASSEMBLY	1
15	_6R0839829A	SPREADER RIVET	12
16	_5F48396999B9	DOOR SEAL (OUTER)	1
16 bis	_5F48397009B9	DOOR SEAL (OUTER)	1
17	_5K4839015Q	DOOR LOCK (LEFT REAR)	1
17 bis	_5K4839016Q	DOOR LOCK (RIGHT REAR)	1
18	_N_90800503	BOLT M8X14	4
19	_N_91017402	COUNTERSUNK MULT. SOCKET HEAD BOLT	4
20	_3C0837767B	SPRING BOLT	2
21	_5F4839017A	BOWDEN CABLE	2
22	_5N0839885H	MOUNTING BAR PASSENGER SIDE	2
23	_5G0837087B	LEFT HANDLE BASE	1
23 bis	_5G0837088B	RIGHT HANDLE BASE	1
24	_5G0839167GRU	BLIND HANDLE COVER	1
24 bis	_5G0839168GRU	BLIND HANDLE COVER	1
25	_5G0837205NGRU	LEFT DOOR HANDLE	1
25 bis	_5G0837206GRU	RIGHT DOOR HANDLE	1
26	_5F4839637C041	TRIM (LEFT OUTER)	1
26 bis	_5F4839638C041	TRIM (RIGHT OUTER)	1

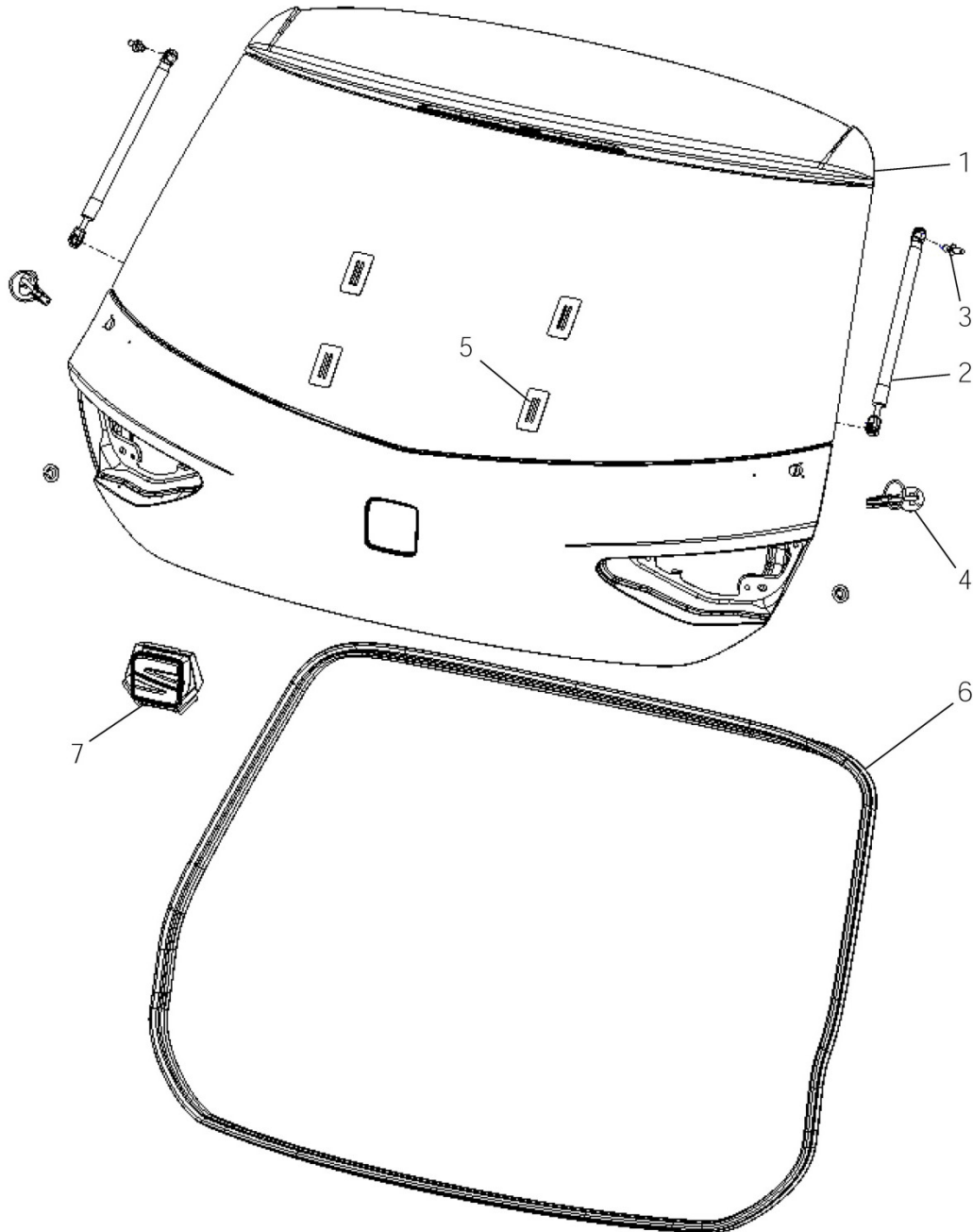
BONNET



BONNET

Pos.	Reference	Description	Qty.
1	5F6823021KTL	BONNET W/MODIFICATED LID HINGES	1
2	5F6805941	AIR DUCT ELEMENT (COMPOSITE)	1
3	_5F0823707A5AP	HOOD SEAL	2
4	_WHT006580	LOWER BALL STUD	1
5	_5G0823359	BONNET GAS DAMPER	1
6	V2LL823025A	BONNET SECURITY LOCK	1
7	5F6823087	BONNET MESH	1
N/D	V2MT906250	SWITCH PROTECTOR	1
N/D2	VN0008127200	BATTERY DISCONNECT SWITCH	1

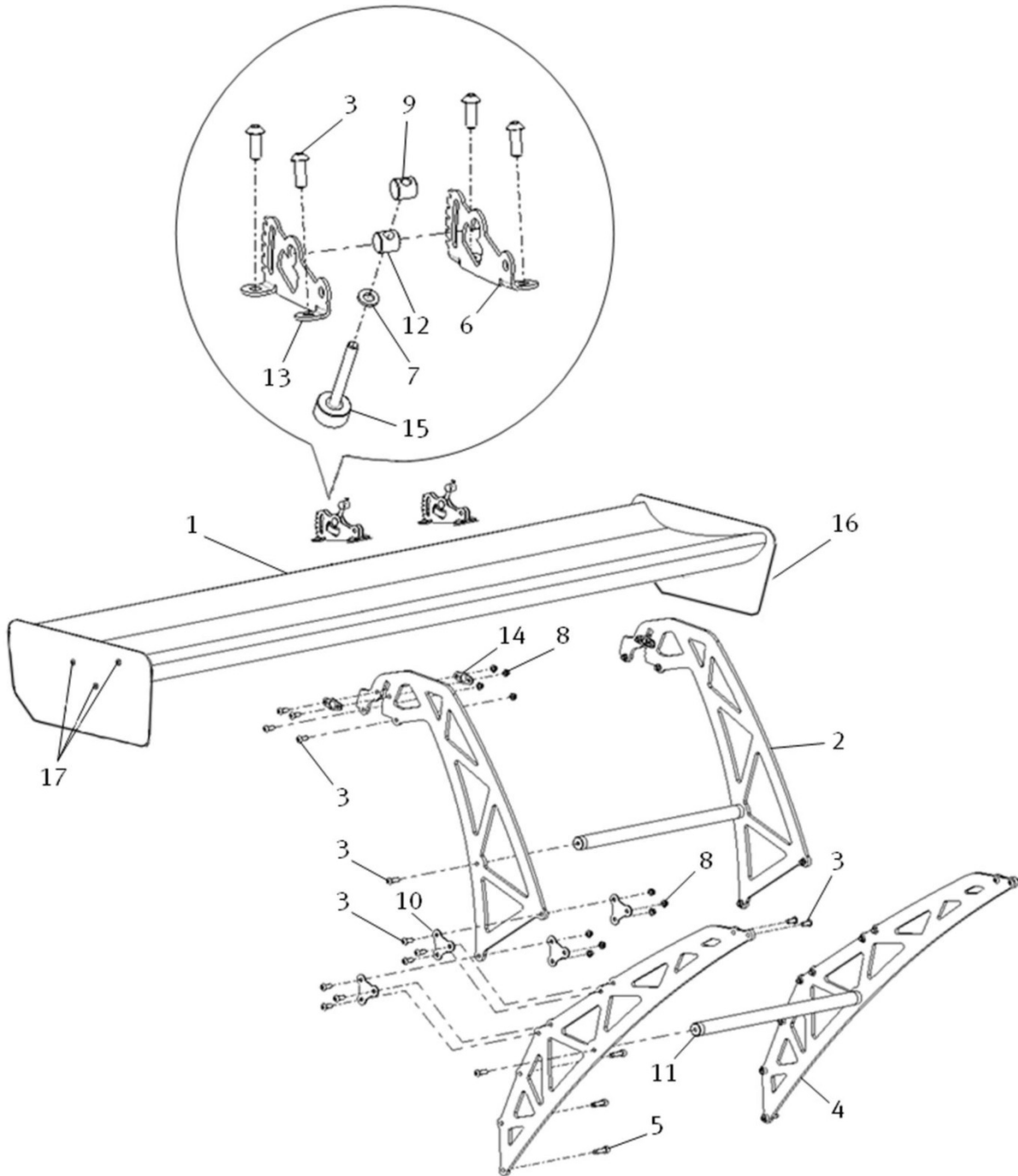
BOOT LID



BOOT LID

Pos.	Reference	Description	Qty.
1	V3FL827023KTL	CUSTOM REAR DOOR w/ SPOILER SUUPTS	1
2	_5F4827550A	GAS FILLED STRUT	2
3	_WHT006580	LOWER BALL STUD	2
4	V2LL823025A	BONNET SECURITY LOCK	1
5	V3FL845068A	REAR WINDSCREEN SPOILER SEAL	4
6	_5F4827705F9B9	GASKET FOR FLAP	1
7	_5F0827565CRYP	BOOT LID HANDLE	1

REAR WING

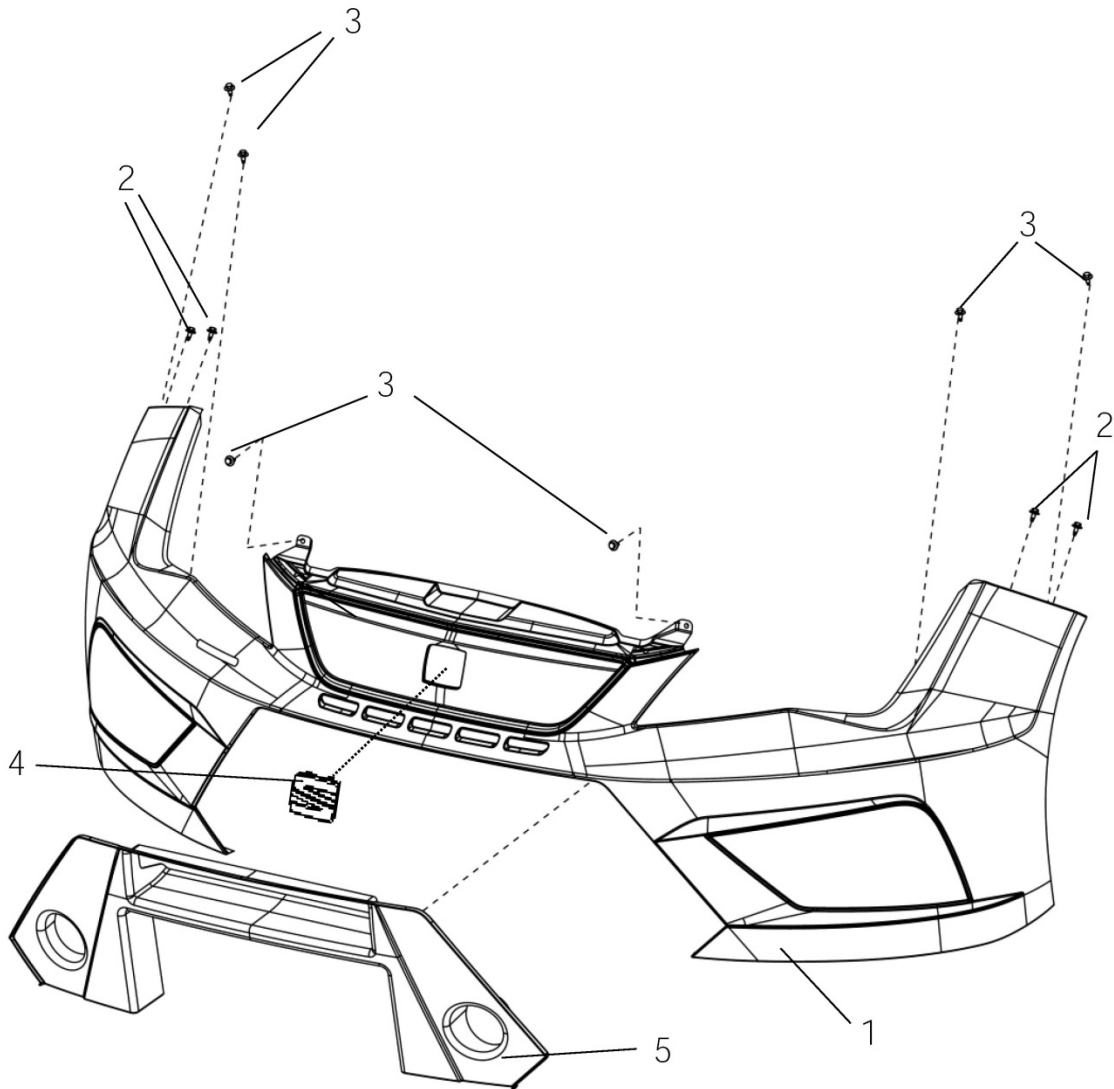


REAR WING

Pos.	Reference	Description	Qty.
1*	5F6827936A	REAR SPOILER	1
2	V3FL827945	UPPER SUPPORT REAR WING	2
3	5F6827969A	ALLEN BOLT ZN M6X16 BLACK	24
4	V3FL827965	REAR WING CHASSIS SUPPORT	2
5	5F6827969B	ALLEN BOLT ZN M6X20 BLACK	10
6	V3FL827933	REAR WING FIXATION PLATE LEFT	2
7	VN0002000710	FLAT WASHER ZN Ø6 DIN125	2
8	VN0003220400	CADMIUM AVIATION NUT 6C M6	20
9	V3FL827969	REGULATION PIN	2
10	V3FL827961	REAR WING FIXATION PLATE	8
11	5F6827141	SPOILER REINFORCEMENT ASSY.	2
12	V3FL827968	UPPER SUPPORT REAR WING	2
13	V3FL827934	REAR WING FIXATION PLATE RIGHT	2
14	5F6827970A	PIN GUIDE	4
15	V3FL827967	REAR WING REGULATION BOLT ASSY.	2
16	8S6827867B	STOP PLATE -6mm-	2
17	VN0001813586	ALLEN BOLT AV. ZN. 10.9 M4X20DIN7991	6

* INCLUDES REFERENCES 16 & 17

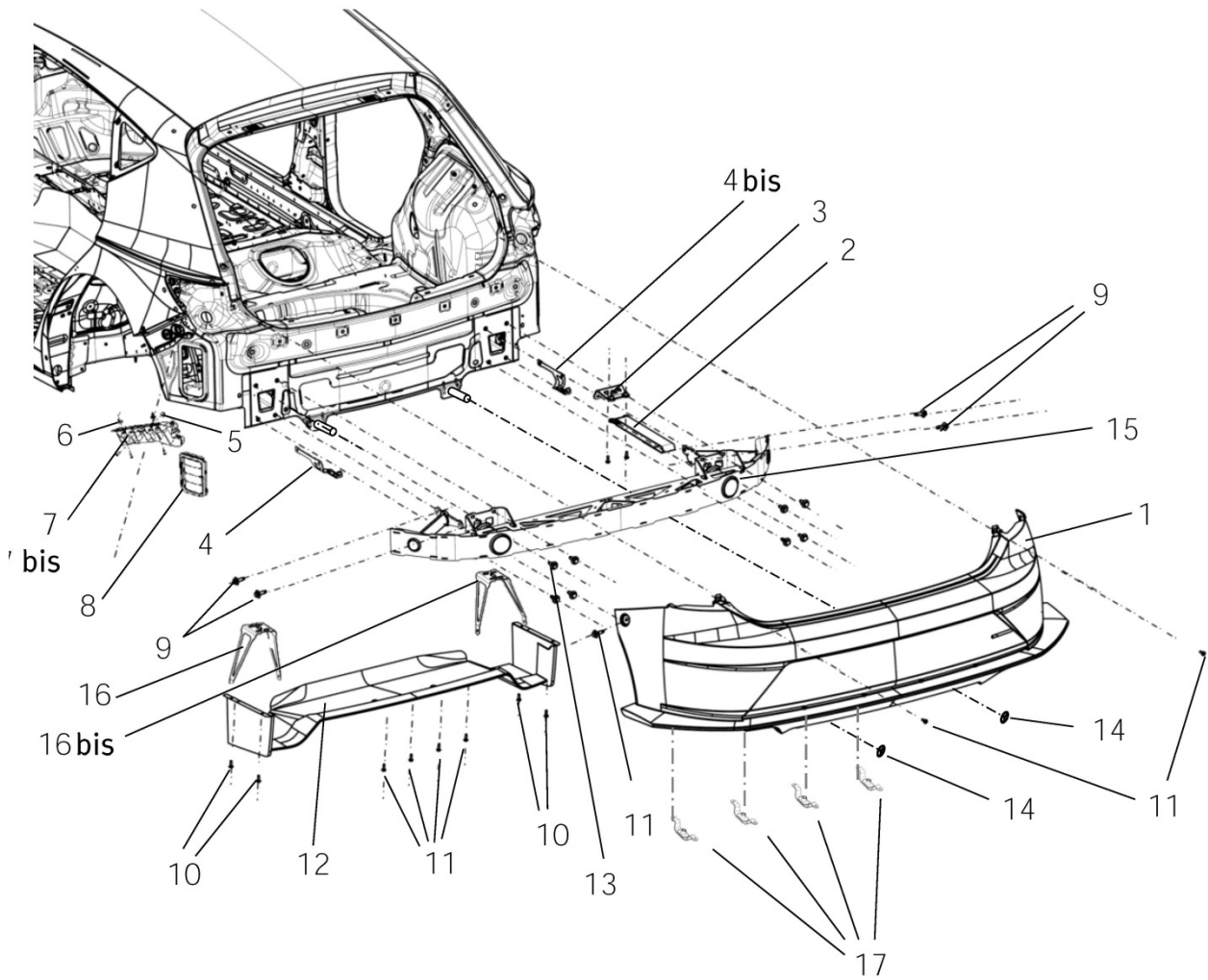
FRONT BUMPER



FRONT BUMPER

Pos.	Reference	Description	Qty.
1	5F6807237GRU	BUMPER COVER	1
2	_N_90785002	HEXALOBULAR SOCKET WITH FLANGE M5X14.5	4
3	_N_10098811	HEXAGON SCREW WITH FLANGE M6x16	6
4	_5F0853679A2ZZ	SEAT EMBLEM	1
5	5F6853651	PLASTIC FRONT-END (G)	1
N/D	5F6071780	FRONT BUMPER ADHESIVES -PRODUC-	1

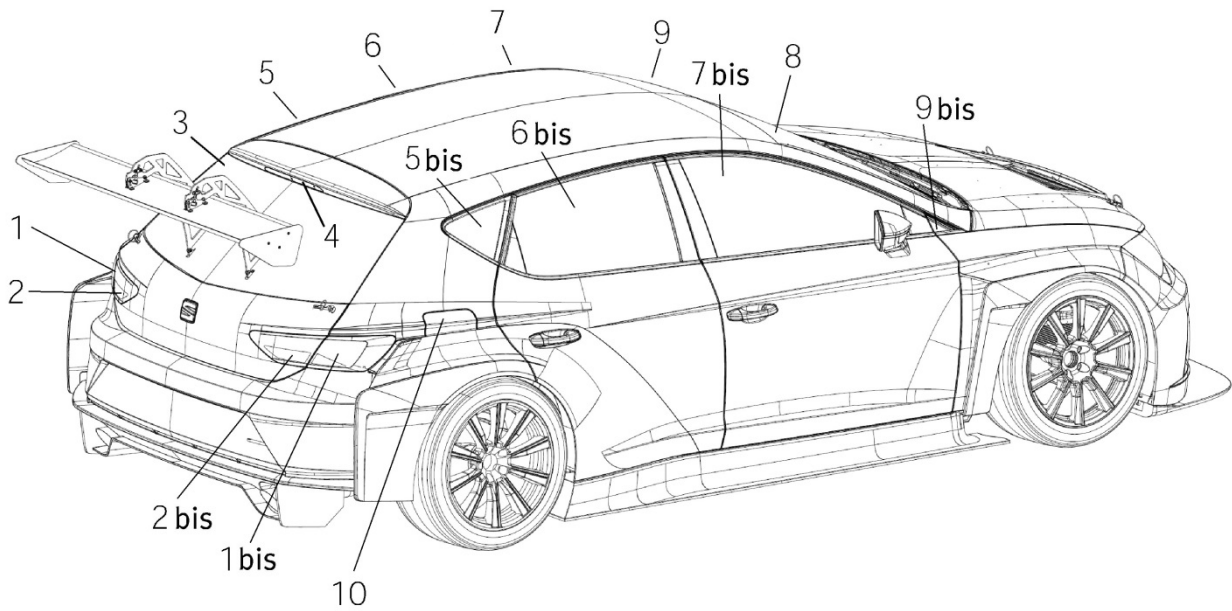
REAR BUMPER



REAR BUMPER

Pos.	Reference	Description	Qty.
1	5F6807511GRU	REAR BUMPER	1
2	5F6803611	TOWING EYE (Z)	1
3	5F6803729A	EXTENSION (G)	1
4	5F6807053	BRACKET (G) -EXHAUST / REAR BUMPER-	1
4 bis	5F6807054	BRACKET (G) -EXHAUST / REAR BUMPER-	1
5	_N_10621301	EXPANDING NUT	10
6	_N_91015701	Screw for steel sheet 5x16	6
7	V3FL807375	GUIDE PROFILE	1
7 bis	V3FL807376	GUIDE PROFILE	1
8	_7N0819465D	VENT TRIM	2
9	_N_90994403	HEXAGONAL BOLT M8X30 (COMBI)	2
10	_N_90944604	HEXALOBULAR SOCKET WITH FLANGE M5X12	4
11	_N_10098811	HEXAGON SCREW WITH FLANGE M6x16	16
12	5F6807568	DIFUSSER	1
13	_N_0195307	HEX COLLARED BOLT M8X25	4
14	_N_90757901	HEXAGON COLLAR NUT M5	2
15	5F6807305B	BUMPER BAR, REAR (G)	1
16	5F6807347	BRACKET (G)	1
16 bis	5F6807348	BRACKET (G)	1
17	5F6807759	REAR BUMPER BRACKET (G)	4

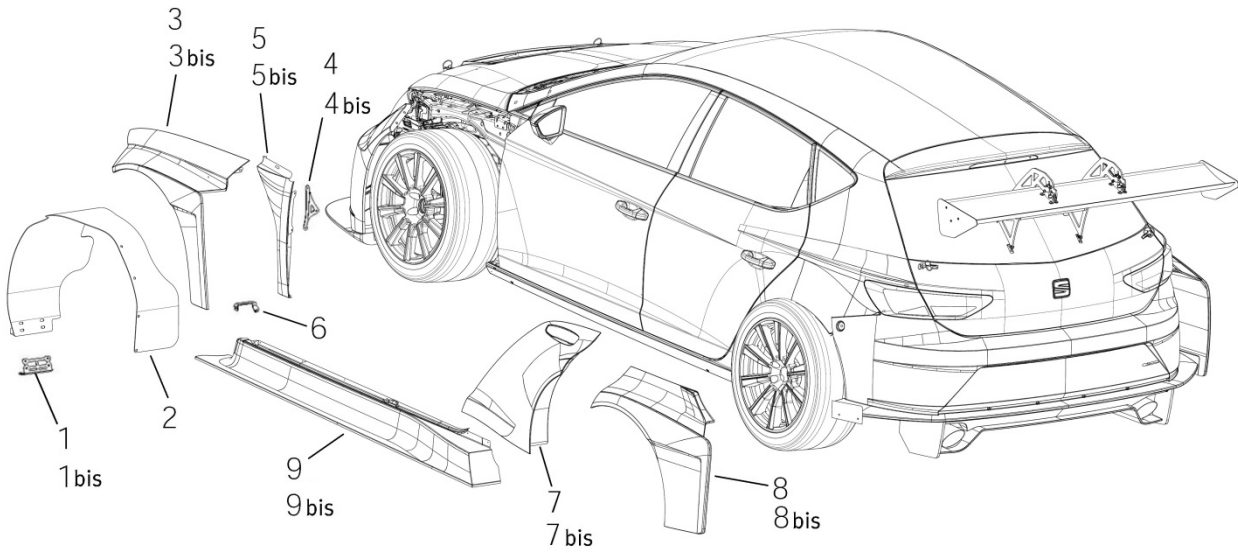
BODY FINISHING 1



BODY FINISHING 1

Pos.	Reference	Description	Qty.
1	_5F0945207E	LED TAIL LIGHT (LEFT INNER)	1
1 bis	_5F0945208E	LED TAIL LIGHT (RIGHT INNER)	1
2	_5F0945307D	LED TAIL LIGHT (LEFT OUTER)	1
2 bis	_5F0945308H	LED TAIL LIGHT (RIGHT OUTER)	1
3	V3FL845051C	POLYCARBONATE GLASS REAR WINDSCREEN	1
4	_5F0945097D	ADDITIONAL BRAKE LIGHT	1
5	V3FL845041	LEFT SIDE WINDOW (FIXED)	1
5 bis	V3FL845042	RIGHT SIDE WINDOW (FIXED)	1
6	V3FL845025	DOOR WINDOW (LEFT REAR)	1
6 bis	V3FL845026	DOOR WINDOW (RIGHT REAR)	1
7	V3FL845201	DOOR WINDOW (LEFT FRONT)	1
7 bis	V3FL845202	DOOR WINDOW (RIGHT FRONT)	1
8	_5F0845011	WINDSHIELD	1
9	_5F0853273D9B9	STRIP (LEFT)	1
9 bis	_5F0853274D9B9	STRIP (RIGHT)	1
10	_5F4809905FGRU	FUEL FILLER DOOR	1
N/D1	_5F0854319E9B9	TRIM STRIP FOR WINDSCREEN	1
N/D2	_5F0854320E9B9	TRIM STRIP FOR WINDSCREEN	1
N/D3	_5F0854541	TRIM STRIP FOR PANEL	1
N/D4	_5F0854542	TRIM STRIP FOR PANEL	1
N/D5	_N_91142501	POP RIVET 3,2x7,5	12

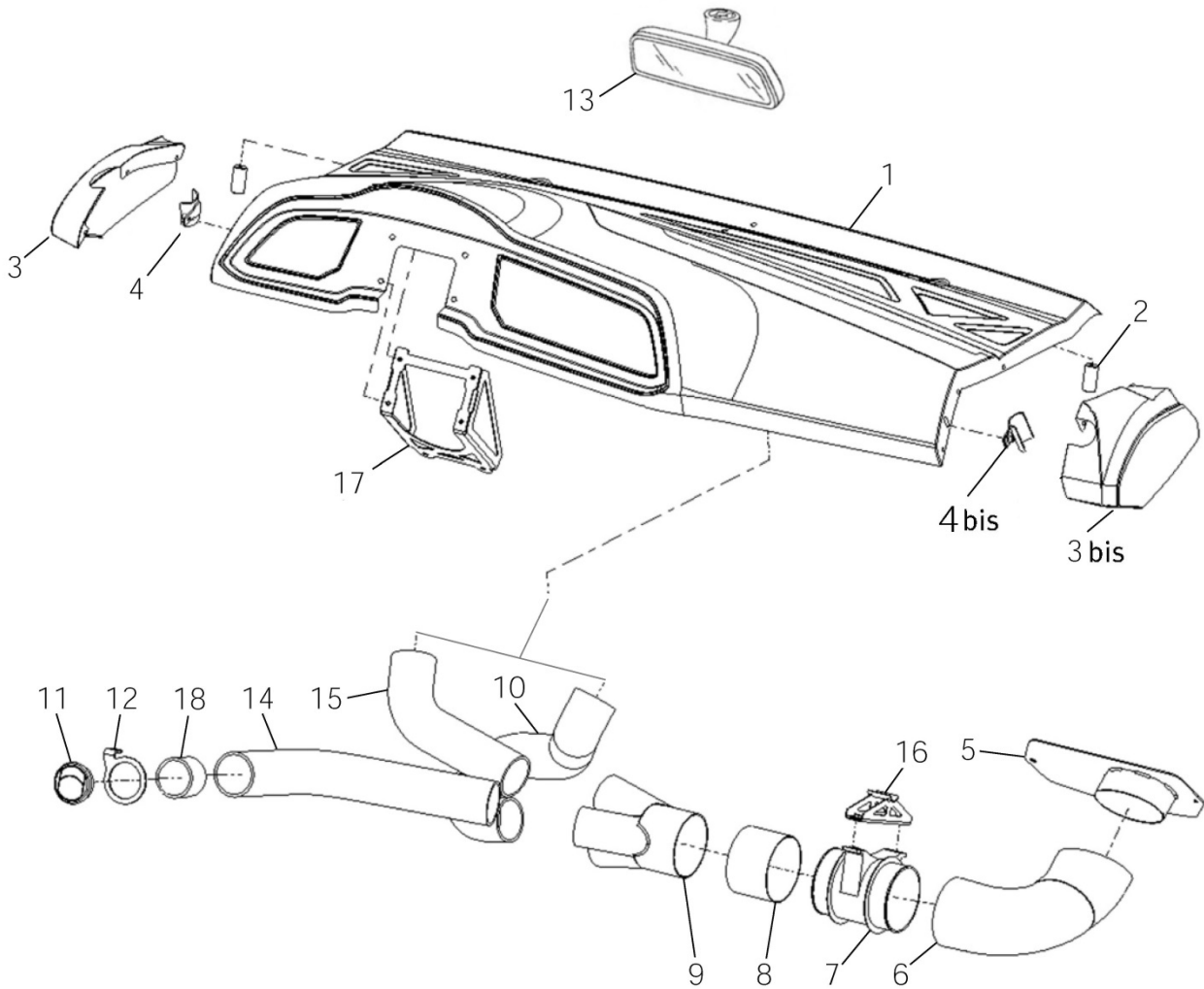
BODY FINISHING 2



BODY FINISHING 2

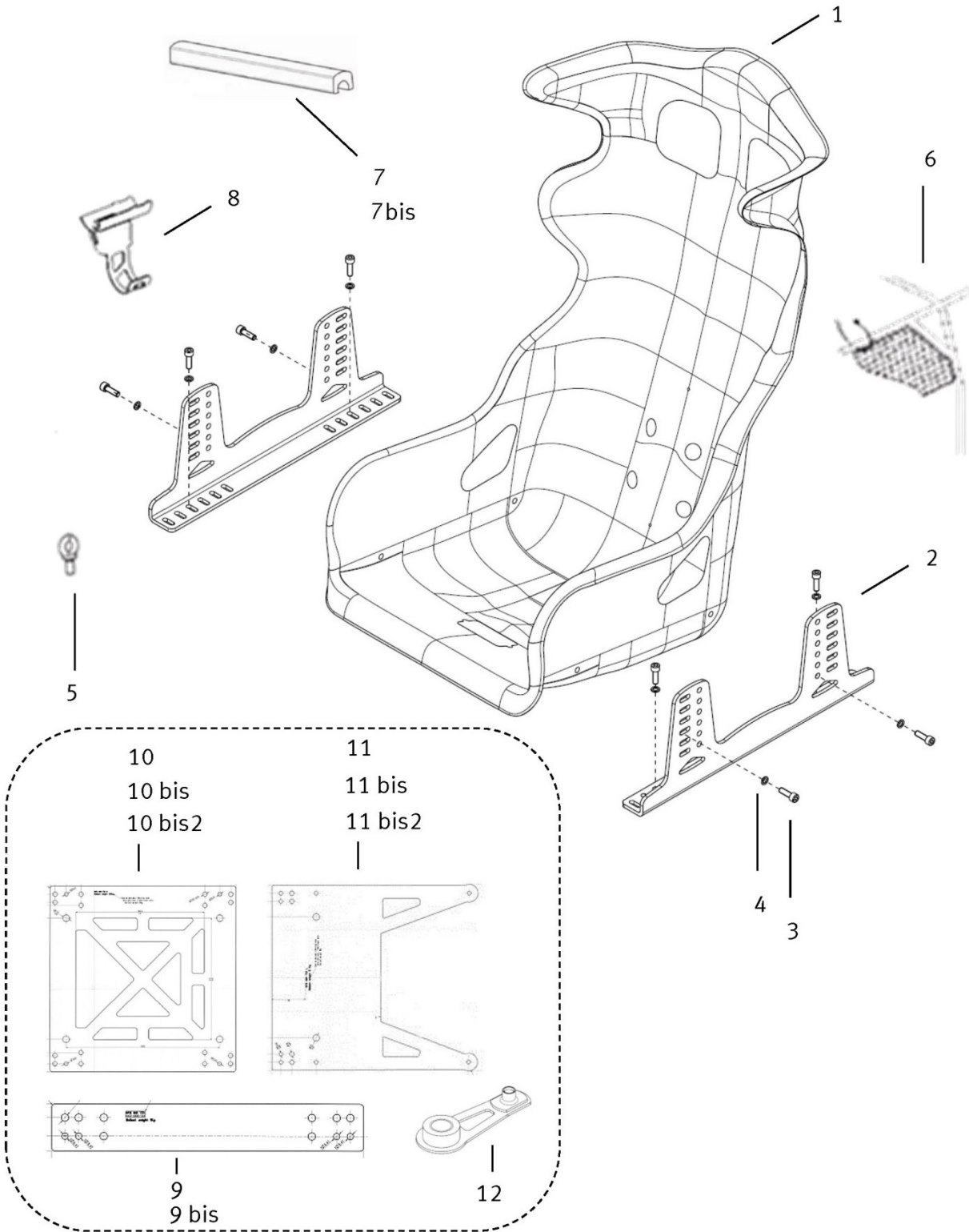
Pos.	Reference	Description	Qty.
1	8S6821167	BRACKET	1
1 bis	8S6821168	REINFORCEMENT (G)	1
2	5F6821171A	FRONT WHEEL HOUSING	2
3	5F6821103	FRONT LEFT FENDER	1
3 bis	5F6821104	FRONT RIGHT FENDER	1
4	V3FL821473	MUD GUARD SUPPORT -LEFT-	1
4 bis	V3FL821474	MUD GUARD SUPPORT -RIGHT-	1
5	5F6821109	FRONT INNER WING (LEFT FRONT)	1
5 bis	5F6821110	FRONT INNER WING (RIGHT FRONT)	1
6	5F6821195	FRONT MUD GUARD LOWER SUPPORT	2
7	5F6853717	LEFT REAR DOOR FENDER	1
7 bis	5F6853718	RIGHT REAR DOOR FENDER	1
8	5F6853817	LEFT REAR FENDER	1
8 bis	5F6853818	RIGHT REAR FENDER	1
9	5F6853553	SIDE SKIRT (LEFT)	1
9 bis	5F6853554	SIDE SKIRT (RIGHT)	1
N/D	_N_90648704	SCREW FOR STEEL SHEET 4.8x16	8

COCKPIT



COCKPIT

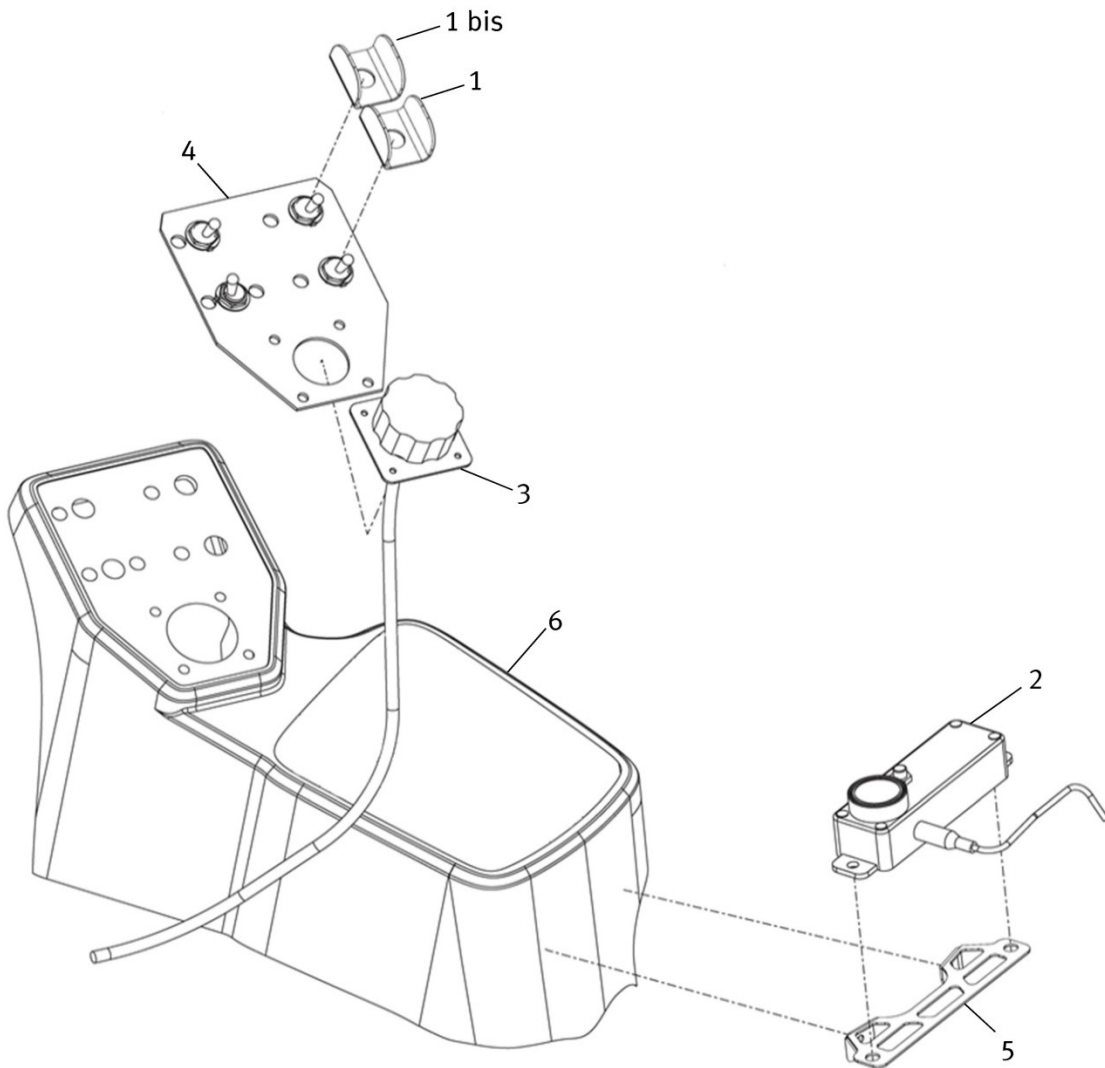
Pos.	Reference	Description	Qty.
1	5F6857009	COCKPIT	1
2	V3FL857184	COCKPIT SUPPORT (L/R)	2
3	V3FL857035	COCKPIT COVER	1
3 bis	V3FL857036	COCKPIT COVER	1
4	V3FL857155	COCKPIT SUPPORT (L/R)	1
4 bis	V3FL857156	COCKPIT SUPPORT (L/R)	1
5	5F6815481A	INTAKE MANIFOLD	1
6	V3FL819037	VENTILATION DRIVER L=350 Ø102	1
7	5F6971569	FAN WIRING LOOM ASSEMBLY	1
8	V3FL819038	VENTILATION DRIVER L=100 Ø102	1
9	V3FL815580	AIR DISTRIBUTOR PIPE	1
10	V3FL819039	VENTILATION DRIVER L=400 Ø60	1
11	V3FL820971	DASHBOARD AIR DIFUSSER	1
12	V3FL819178	AIR VENT SUPPORT	1
13	_3C0857511JSMA	REAR WIEW MIRROR	1
14	V3FL819040	VENTILATION DRIVER L=700 Ø60	1
15	V3FL819041	VENTILATION DRIVER L=560 Ø60	1
16	5F6819250	SUPPORT	1
17	V3FL857068	COCKPIT CENTRAL SUPPORT ASSY.	1
18	V3FL819042	VENTILATION DRIVER L=25 Ø60	1
N/D	V3FL010952	DASHBOARD ADHESIVE	1

BACKET & SAFETY BELTS


BACKET & SAFETY BELTS

Pos.	Reference	Description	Qty.
1	5GV881019	BACKET DRIVER SEAT	1
2	5F6881689	BACKET ADAPTER	1
3	VN0001371139	ALLEN BOLT M8X25 DIN933 PAV.12.9	4
4	_N_0154013	FLAT WASHER Ø8X20X4 BI	8
N/D	V3FL857705	SAFETY BELT 6P BLACK	1
5	V2ML803039	BELTS ANCHOR RING	2
6	V2ML861873	SECURITY WINDOW NET	1
7	V2MN011227	ROLL BAR PROTECTION Ø32 L=600MM	1
7 bis	V2MT011227	FIA ROLL-BAR PROTECTION Ø40 L=600MM	1
8	5F6419571	BRACKET UPPER PART WO/LOGO (G)	1
9	5F6861721	1KG BALLAST WEIGHT	1
9 bis	5F6861721A	3KG BALLAST WEIGHT	1
10	5F6861721H	5KG BALLAST WEIGHT	1
10 bis	5F6861721J	10KG BALLAST WEIGHT	1
10 bis2	5F6861721K	20KG BALLAST WEIGHT	1
11	5F6861721L	5 KG FRONT BALLAST WEIGHT	1
11 bis	5F6861721M	10 KG FRONT BALLAST WEIGHT	1
11bis2	5F6861721N	20 KG FRONT BALLAST WEIGHT	1
12	5F6861701	BALLAST SUPPORT	1
N/D2	5GV825237A	SUMPGUARD	1

PILOT BOX



PILOT BOX

Pos.	Reference	Description	Qty.
1	V2MT906274	SWITCH PROTECTOR (RED)	1
1 bis	V2MT906274A	SWITCH PROTECTOR (YELLOW)	1
2	V4PL917012	CONTROL BOX FOR EXTINGUISHER	1
3	V3FL612191	BRAKE REGULATION CABLE	1
4	8V6971645	CONTROL CONSOLE	1
5	V3FL016253	EXTINGUISHER INTERIOR PUSH-BUTTON BRACKE	1
6	5F6857931	CENTER CONSOLE	1

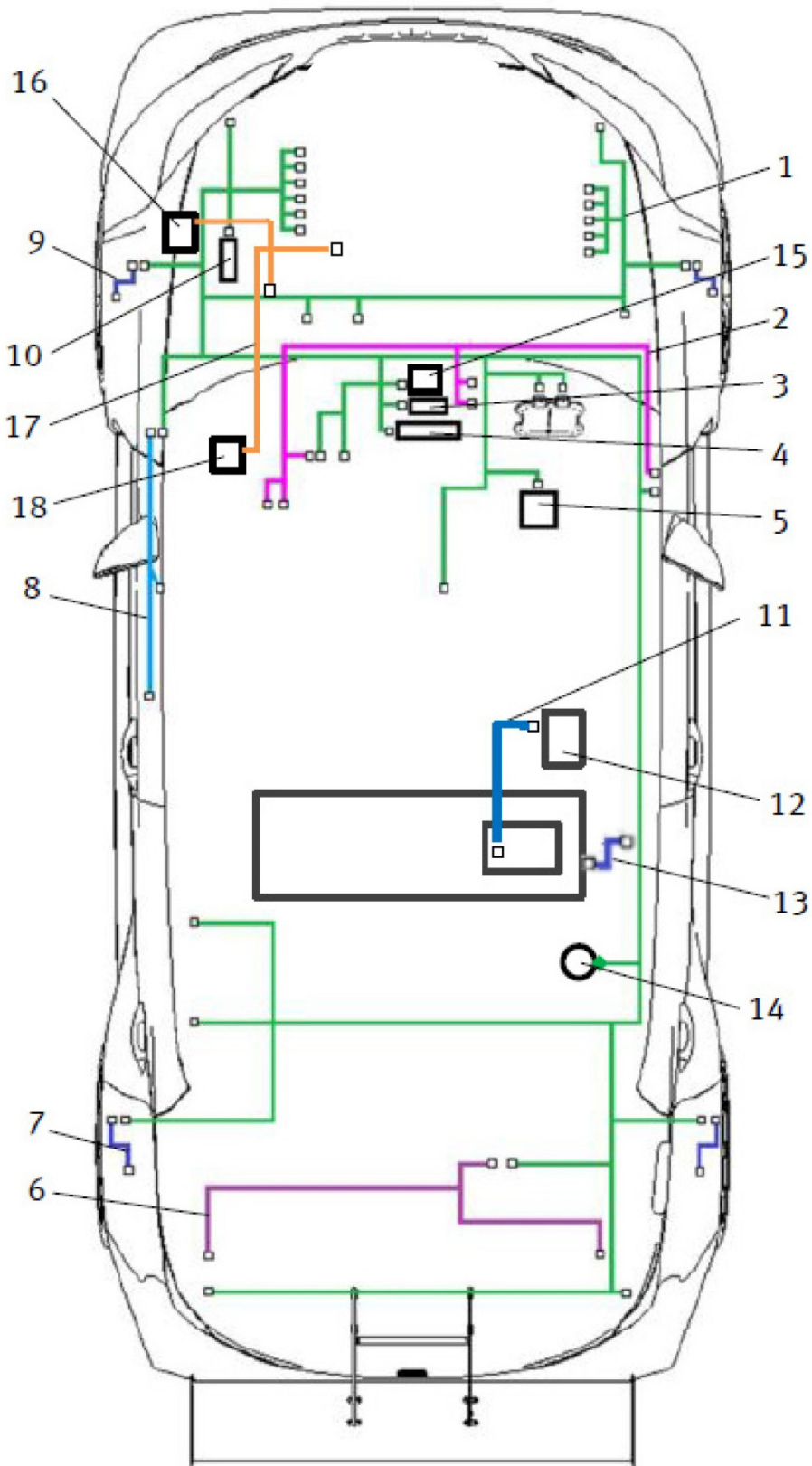
DATA LOGGER



DATA LOGGER

Pos.	Reference	Description	Qty.
N/D	V3FL907033	DASH LOGGER MXG	1
1	V3GL920801	DASHBOARD	1
2	5F6919889	GPS-05 -AIM-	1
3	V3GL906609	CONNECTION MODULE -AIM-	1
4	V3FL918251	SMARTY CAM GP AIM w/CABLE	1
5	V3FL918655	ROLL-BAR SMARTY CAM SUPPORT	1
6	V3FL971123	PC DOWNLOAD CABLE -AIM-	1
N/D2	8V6971245	GPS WIRING EXTENSION ANTENNA	1

WIRING LOOM 1

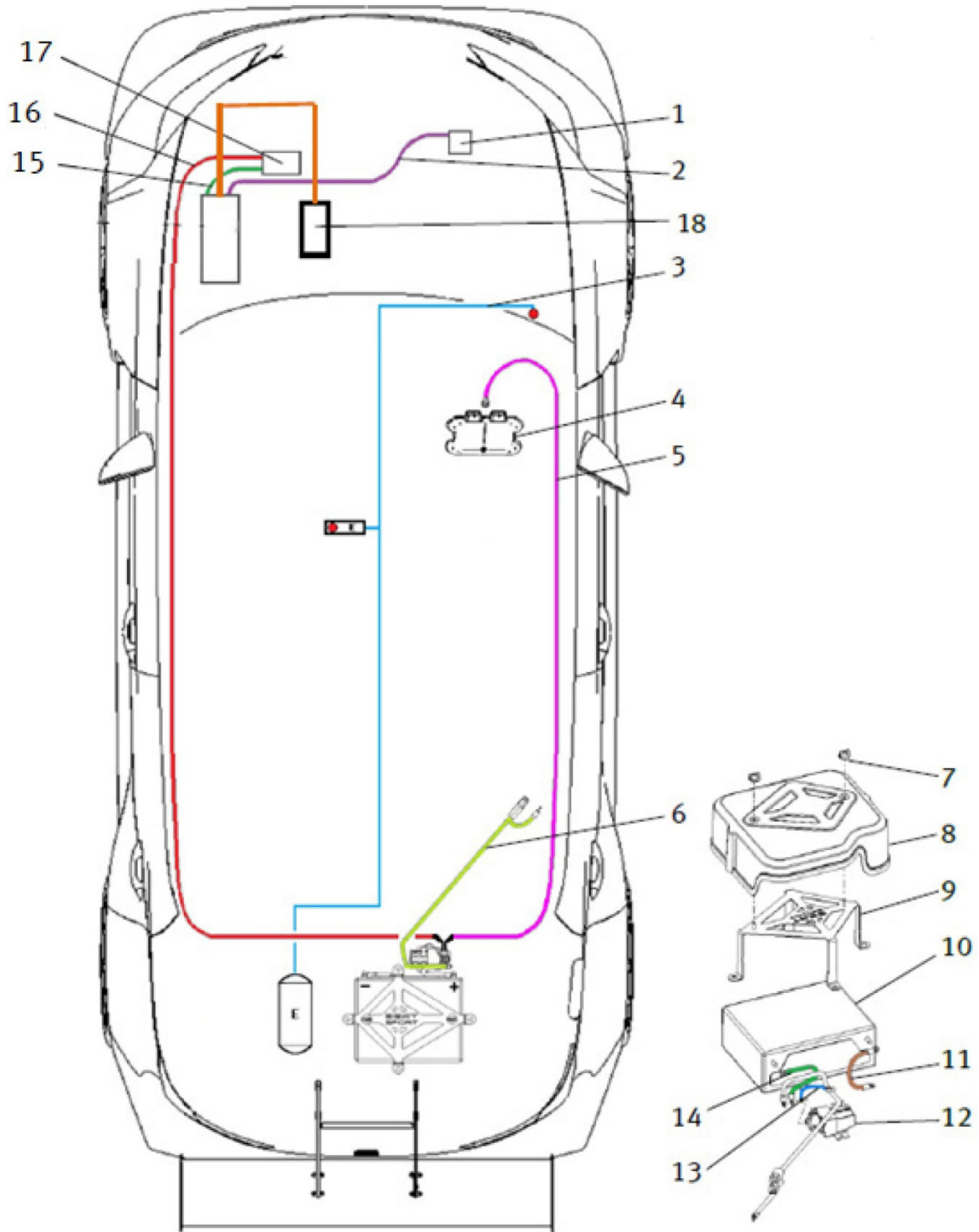


WIRING LOOM 1

Pos.	Reference	Description	Qty.
1	8v6970000	CHASSIS KSK WIRING LOOM -TCR 2016-	1
2	8v6971339	DATA LOGGER WIRING LOOM	1
3	8S6907530	GATEWAY	1
4*	8S6900002	BLACK BOX	1
5	5f6614517	ABS UNIT WITH CONTROL UNIT	1
6	8V6971147	HARNESS, TRUNK LID	1
7	V3FL971937	REAR HARNESS WHEEL RPM WIR	1
8	8S6971035	DOOR WIRING LOOM	1
9	V3FL971217	FRONT HARNESS WHEEL RPM WIR	1
10*	5F6906259E	ECU ENGINE SEQ -2017-	1
11	8JR971316	WIRING SET	1
12	4F1906093C	CONTROL UNIT, FUEL -PWM-	1
13	5F6201142	GROUND CABLE (Z)	1
14	8S6907502	FUEL LEVEL DISPLAY	1
15	5F6905107	RELAY	1
16	5F6325025B	GEAR CONTROL UNIT PROGRAMED -2017-	1
17	5F6971771B	HARNESS TRANSM. ST82	1
18	5F6919052	ACTUATOR BLIP	1
N/D	_06K972627AP	WIRING SET FOR ENGINE	1

* PLEASE CONTACT SEAT SPORT

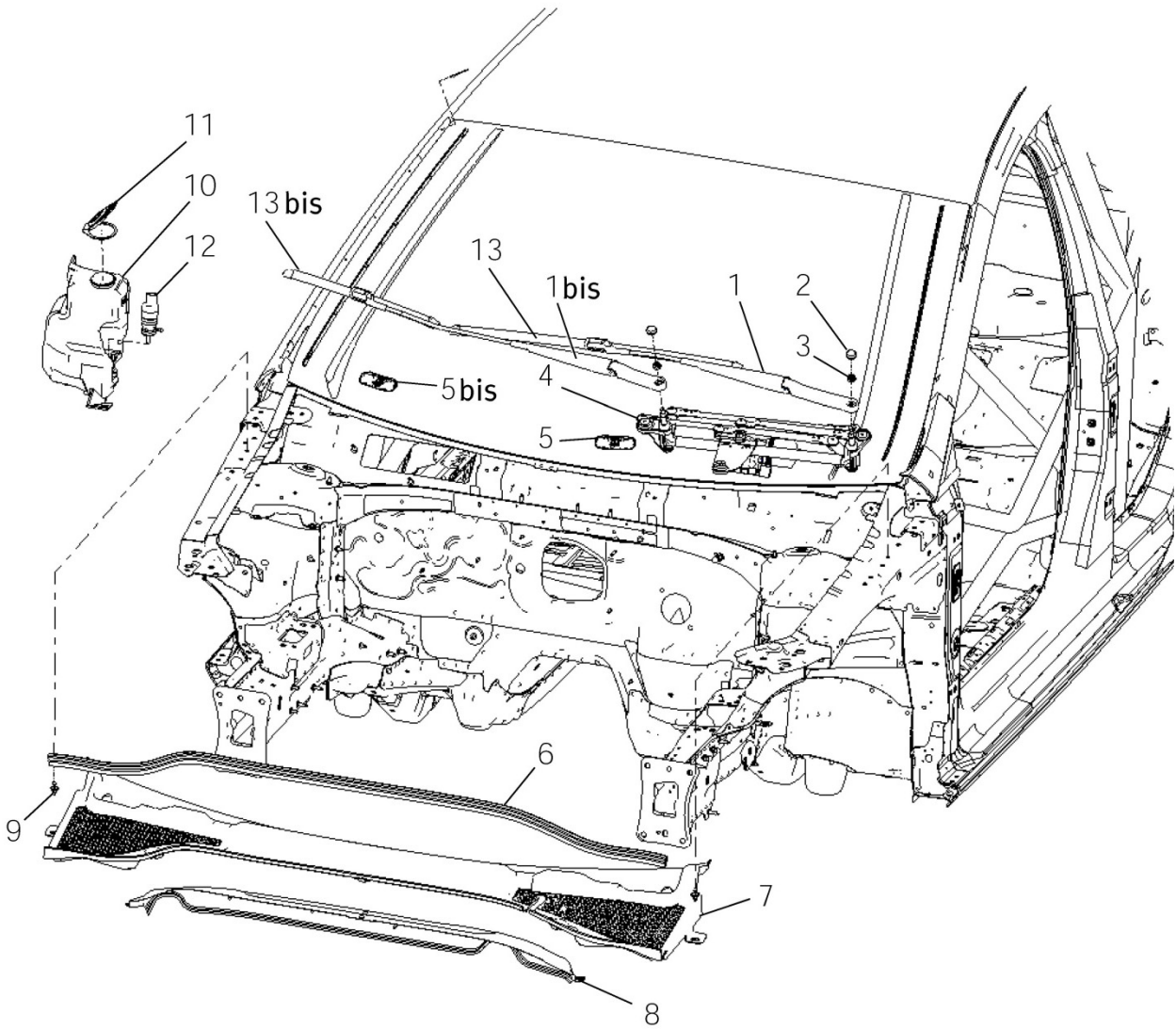
WIRING LOOM 2



WIRING LOOM 2

Pos.	Reference	Description	Qty.
1	5F6903023A	ALTERNATOR 14V 140A	1
2	_5Q0971230AE	WIRING SET FOR THREE-PHASE ALTERNATOR	1
3	8V6971096	FIRE HARNESS	1
4	8V6907070	FUSE BOX (Z)	1
5	V3FL971318	POWER WIRING LOOM FOR FUSE-BOX	1
6	V3FL971226	BATTERY WIRING LOOM	1
7	VN0003130325	NUT BI. 8.8 M6 DIN6923	2
8	V3FL801293	BATTERY HOUSING UNIT	1
9	5F6915303	BATTERY SUBJECTION (G)	1
10	V3GT915105	BATTERY 40AH	1
11	5F6971235	BATTERY GROUND CABLE	1
12	VN0008134300	RELAY BATTERY DISCONNECTION	1
13	V3FL971358	WIRING LOOM (FROM RELE TOWARDS DISCONN.)	1
14	V3FL971372	BATTERY TO MAIN SWITCH RELAY	1
15	5F6972227	CONNECTING LINE (Z)	1
16	5F6971793	STARTER HARNESS	1
17	5F6911021	STARTER 1.1 KW	1
18	5F6910109	GEARBOX ACTUATOR XAP	1

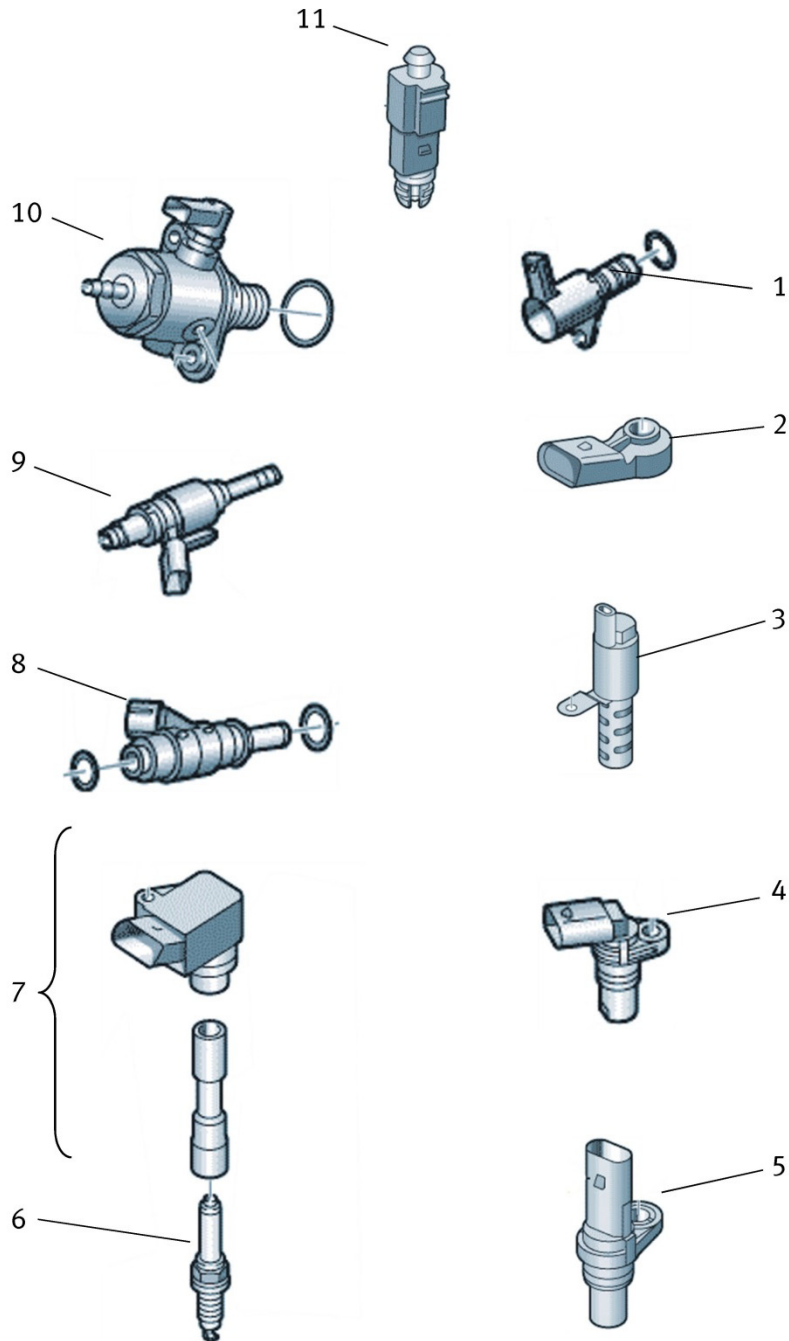
WINDSCREEN WASHER



WINDSCREEN WASHER

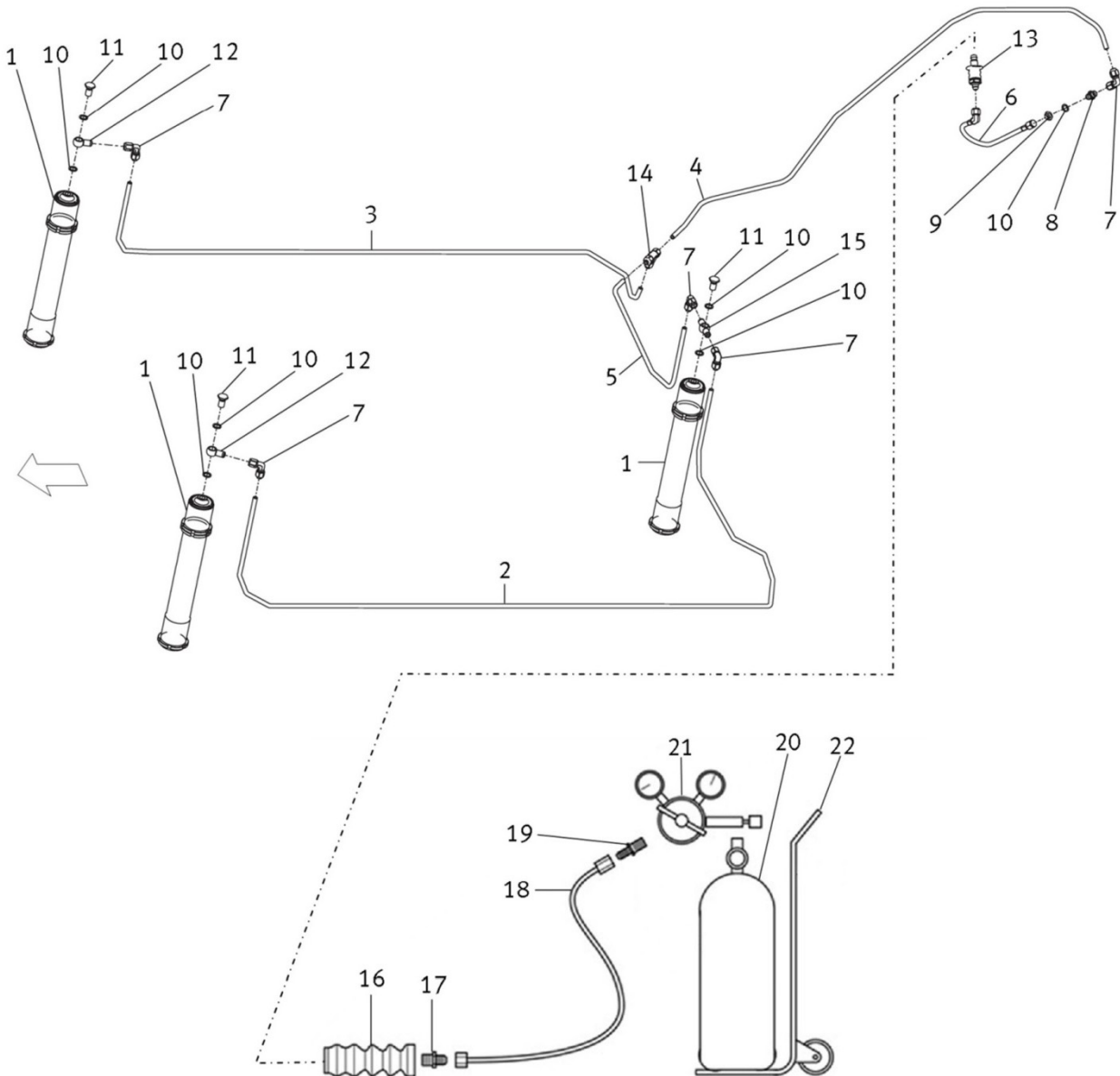
Pos.	Reference	Description	Qty.
1	_5F1955409	WIPER ARM (DRIVERS SIDE)	1
1 bis	_5F1955410	WIPER ARM (PASSENGER SIDE)	1
2	_1J0955205A9B9	CAP	2
3	_N_10609204	HEXAGON COLLAR NUT M8	2
4	_5F1955023A	WINDOW WIPER MOUNTING WITH WIPER MOTOR	1
5	_5F0955985	WATER JET	1
5 bis	_5F0955986	WATER JET	1
6	_5F0823723A5AP	SEAL FOR WATER BOX	1
7	5F6819403	COVER SECTION	1
8	_5F0805275	WATER BOX FRONT PANEL	1
9	_5P0810997	BUNG	2
10	_1J0955453P	WASH WATER RESERVOIR	1
11	_1K0955455	END CAP	1
12	_1K5955651	Window water pump	1
13	_5F1955425	AERO WIPER BLADE (DRIVERS SIDE)	1
13 bis	_5F1955426	AERO WIPER BLADE (PASSENGER SIDE)	1

ELECTRONIC COMPONENTS



ELECTRONIC COMPONENTS

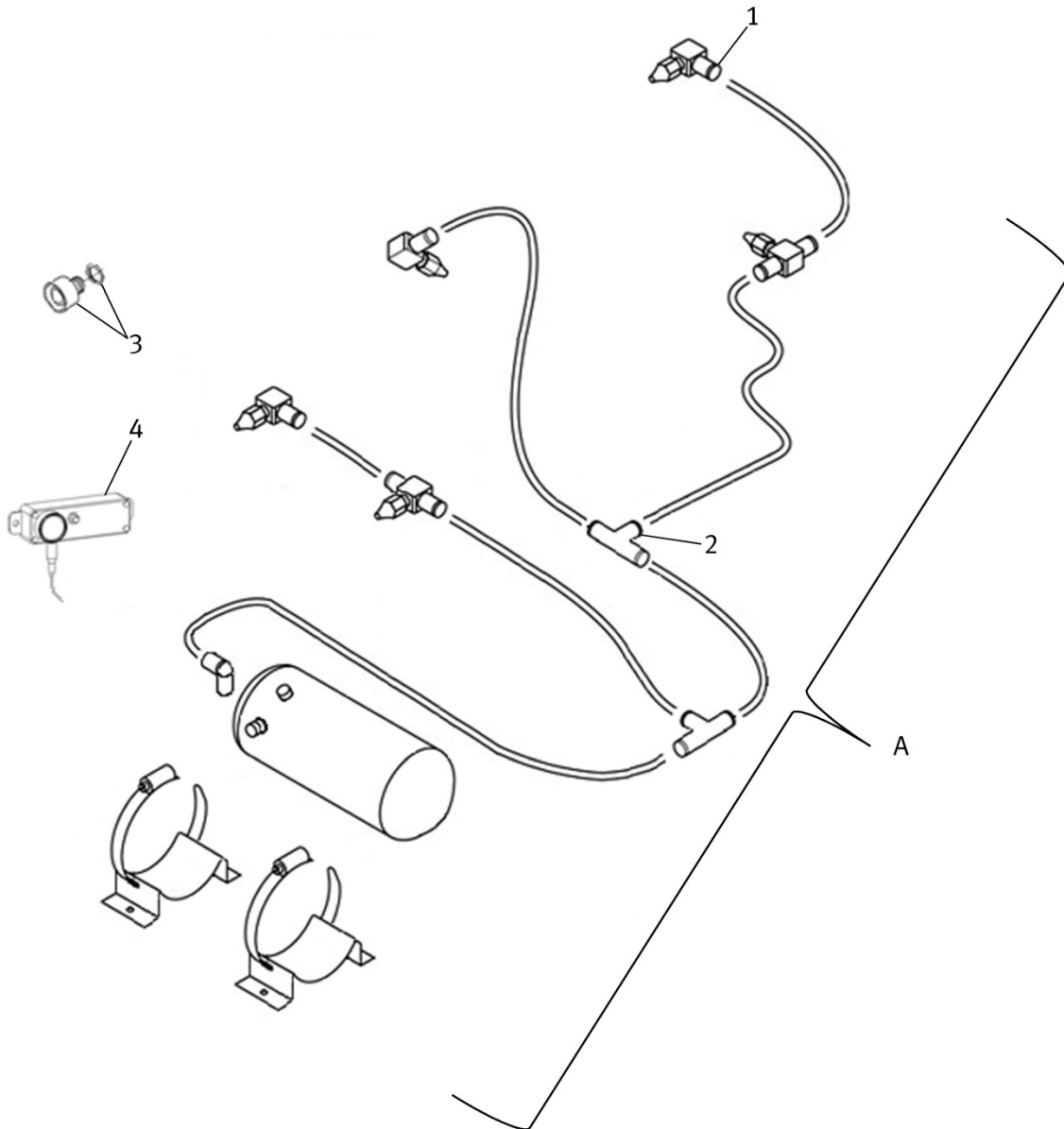
Pos.	Reference	Description	Qty.
1	_06K115243T	OIL PRESSURE CONTROL VALVE -UPPER-	1
2	_06K905376	KNOCK SENSOR	1
3	_04E906455D	CONTROL VALVE CAMSHAFT	1
4	_04C907601	IMPULSE SENDER CAMSHAFT	1
5	_06H906433C	IMPULSE SENDER CRANKSHAFT	1
6	5F6905601	SPARK PLUG -9°	4
7	_06J905110F	IGNITION COIL WITH SPARK PLUG CONNECTOR	4
8	_06L906031A	INJECTION VALVE	4
9	_06L906036H	INJECTION VALVE	4
10	_06L127025M	FUEL PUMP	1
11	_8Z0820535A	EXTERNAL TEMPERATURE SENSOR	1

AIRJACK SYSTEM


AIRJACK SYSTEM

Pos.	Reference	Description	Qty.
1	5F6011031	AIRJACK CYLINDER	3
2	V3FL011019	REAR PIPE AIRJACK	1
3	V3FL011020	REAR PIPE AIRJACK	1
4	V3FL011021	REAR PIPE AIRJACK	1
5	V3FL011023	REAR PIPE AIRJACK	1
6	5F6011228A	INLET PIPE AIRJACK	1
7	VN0005104300	ALU. ELBOW 90° FEMALE-TUBE Ø10MM	5
8	VN0005107300	BULKHEAD ADAPTER 06D-06D	1
9	VN0005108300	ALUMINIUM NUT 9/16-18 UNF	1
10	_N_0138495	COOPER WASHER 14x20	7
11	VN0005008400	BANJO BOLT M14X1.5 L=25	3
12	VN0005013800	BANJO BOLT Ø14MM (M/) 06D	2
13	V4PL011011	FAST CONNECTOR M22X1,5	1
14	VN0005102200	ADAPTER T3X10MM	1
15	VN0005015400	BANJO Ø14MM DOUBLE (M/M) 06D-06D	1
16	V4PL011015	AIRJACK CONNECTOR	1
17	VN0005174200	MALE-MALE ADAPTER M16x1,5-04D	1
18	V4PL011108	PIPE L=5000	1
19	V131617100	ADAPTER 3/8-19 BSP-7/16-20	1
20	V2ML011102	18 LTS BOTTLE	1
21	V2ML011120A	REDUCTOR 60KG	1
22	V2ML011132	TRANSPORTATION CART	1
N/D	U3FL011001	AIRJACK SECURE	3

EXTINGUISHER



EXTINGUISHER

Pos.	Reference	Description	Qty.
A	8v6860237	FIRE EXTINGUISHER (Z)	1
1	V2ML016241	L VALVE	3
2	V2ML016239	T RACORD 3 VIAS 6X8	2
3	VN0008127200	BATTERY DISCONNECT SWITCH	1
4	V4PL971012	CONTROL BOX FOR EXTINGUISHER	1
N/D	VN0008100100	9V BATTERY	1
N/D2	5F6860347B	BRACKET	1

KITS

KITS

Pos.	Reference	Description	Qty.

TOOLINGS

TOOLINGS

Pos.	Reference	Description	Qty.
N/D	5F6201027	KIT FUEL TANK COUPLIG PROTECTION	1
N/D2	5F6698203	KIT ABS FOR SADEV gbx	1
N/D3	5F6698302	KIT FAST BRAKE LINE COUPLING	1
N/D4	8V6198007	KIT SCRUTINEERING (evo4 TCR)	1
N/D5	5F6900961	KIT SMARTY CAM	1
N/D6	5F6900042	TRANSPONDER	1
N/D7	5F6419919A	STEERING COLUMN HUB 1	1
N/D8	5F6419919C	STEERING COLUMN HUB 2	1
N/D9	8S6422211	STEERING WHEEL SPACER 1	1
N/D10	8S6422211A	STEERING WHEEL SPACER 2	1
N/D11	5F6498969	HOOK WRENCH DAMPERS	1
N/D12	5F6498970	ADJUSTER PIN FRONT DAMPER	2
N/D13	VN0008142700	AUXILIARY BATTERY CONNECTOR	1
N/D14	5F6698204	BRAKE PRESSURE KIT (Z)	1